

Milwaukee®

Nothing but **HEAVY DUTY**®



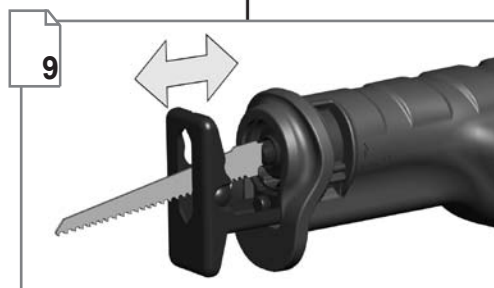
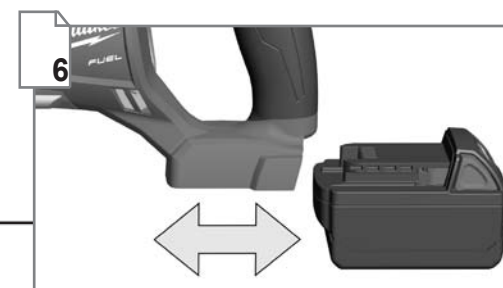
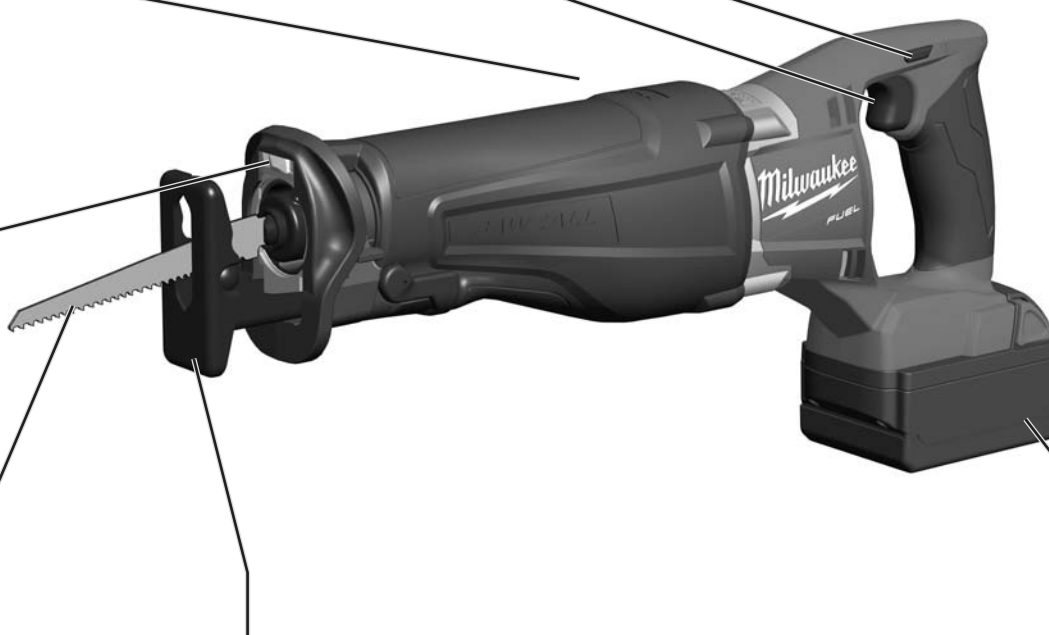
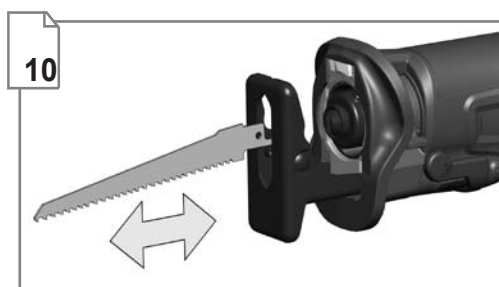
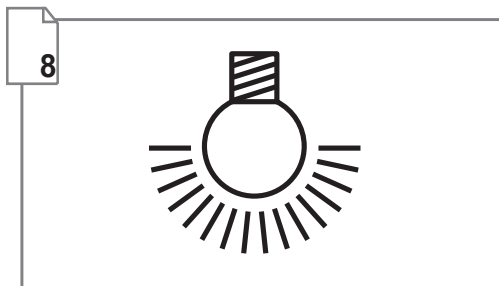
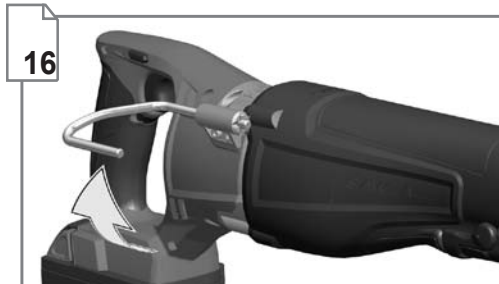
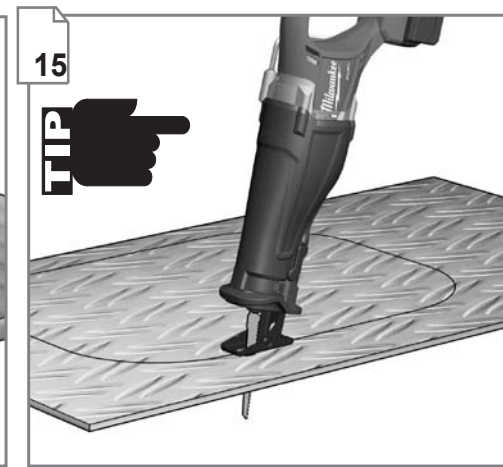
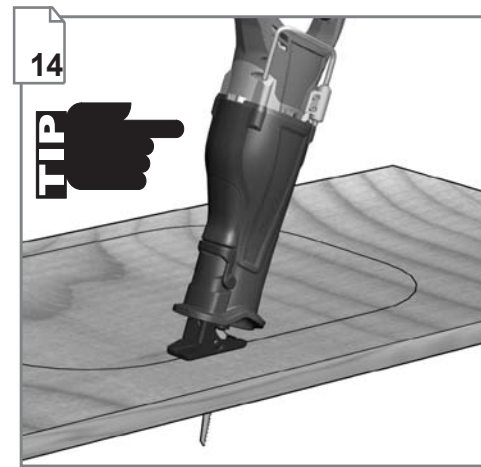
M18 CSX

Original instructions
Originalbetriebsanleitung
Notice originale
Istruzioni originali
Manual original
Oorspronkelijke
gebruiksaanwijzing
Original brugsanvisning
Original bruksanvisning
Bruksanvisning i original
Alkuperäiset ohjeet

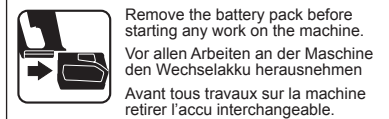
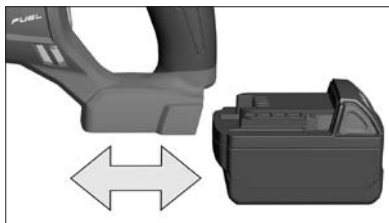
Πρωτότυπο οδηγιών χρήσης
Orijinal işletme talimatı
Původním návodem k
používání
Původný návod na použitie
Instrukcją oryginalną
Eredeti használati utasítás
Izvirna navodila
Originalne pogonske upute
Instrukcijām oriģinālvalodā
Originalni instrukcija

Algupärane kasutusjuhend
Оригинальное руководство
по эксплуатации
Оригинално ръководство за
експлоатация
Instrucțiuni de folosire
originale
Оригинален прирачник за
работа
原始的指南

| | | | |
|--|--|--------------------|-----------|
| Technical Data, safety instructions, Specified Conditions of Use, EC-Declaration of Conformity, Batteries, Characteristics, Maintenance, Symbols | Please read and save these instructions! | ENGLISH | 18 |
| Technische Daten, Sicherheitshinweise, Bestimmungsgemäße Verwendung, CE-Konformitätserklärung, Akkus, Merkmale, Wartung, Symbole | Bitte lesen und aufbewahren! | DEUTSCH | 20 |
| Caractéristiques techniques, Instructions de sécurité, Utilisation conforme aux prescriptions, Déclaration CE de Conformité, Accus, Description, Entretien, Symboles | Prière de lire et de conserver! | FRANÇAIS | 22 |
| Dati tecnici, Norme di sicurezza, Utilizzo conforme, Dichiarazione di Conformità CE, Batteria, Breve Indicazione, Manutenzione, Simboli | Si prega di leggere le istruzioni e di conservarle! | ITALIANO | 24 |
| Datos técnicos, Instrucciones de seguridad, Aplicación de acuerdo a la finalidad, Declaración de Conformidad CE, Batería, Señalización, Mantenimiento, Símbolos | Lea y conserve estas instrucciones por favor! | ESPAÑOL | 26 |
| Características técnicas, Instruções de segurança, Utilização autorizada, Declaração de Conformidade CE, Acumulador, Características, Manutenção, Símbolo | Por favor leia e conserve em seu poder! | PORTUGUES | 28 |
| Technische gegevens, Veiligheidsadviezen, Voorgescreven gebruik van het systeem, EC-Konformiteitsverklaring, Akku, Kenmerken, Onderhoud, Symbolen | Lees en let goed op deze adviezen! | NEDERLANDS | 30 |
| Tekniske data, Sikkerhedshenvisninger, Tiltænkt formål, CE-Konformitetserklæring, Batteri, Beskrivelse, Vedligeholdelse, Symboler | Vær venlig at læse og opbevare! | DANSK | 32 |
| Tekniske data, Spesielle sikkerhetshenvisninger, Formålmessig bruk, CE-Samsvarserklæring, Batterier, Kjennetegn, Vedlikehold, Symboler | Vennligst les og oppbevar! | NORSK | 34 |
| Tekniska data, Säkerhetsutrustning, Använd maskinen Enligt anvisningarna, CE-Försäkran, Batterier, Kännemärke, Skötsel, Symboler | Var god läs och tag tillvara dessa instruktioner! | SVENSKA | 36 |
| Tekniset arvot, Turvallisuusohjeet, Tarkoituksenmukainen käyttö, Todistus CE-standardinmukaisuudesta, Akku, Ominaisuudet, Huolto, Symbolit | Lue ja säilytä! | SUOMI | 38 |
| Τεχνικά στοιχεία, Ειδικές υποδείξεις ασφαλείας, Χρήση σύμφωνα με το σκοπο προορισμού, Δήλωση πιστοποίησης εκ, Μπαταρίες, Χαρακτηριστικά, Συντήρηση, Σύμβολα | Παρακαλώ διαβάστε τις και φυλάξτε τις! | ΕΛΛΗΝΙΚΑ | 40 |
| Teknik veriler, Güvenliğiniz için talimatlar, Kullanım, CE uygunluk beyanince, Akü, Özellikler, Bakım, Semboller | Lütfen okuyun ve saklayın | TÜRKÇE | 42 |
| Technická data, Speciální bezpečnostní upozornění, Oblast využití, Ce-prohlášení o shodě, Akumulátory, Upozornění, Údržba, Symboly | Po přečtení uschovejte | ČESKY | 44 |
| Technické údaje, Špeciálne bezpečnostné pokyny, Použitie podľa predpisov, CE-Vyhlasenie konformity, Akumulátory, Znaky, Udržba, Symboly | Prosím prečítat a uschovať! | SLOVENSKY | 46 |
| Dane techniczne, Specjalne zalecenia dotyczace bezpieczerstwa, Uzytkowanie zgodnie z przeznaczeniem, Swiadcstwo zgodnosci ce, Bateria akumulatorowe, Wezlosnosci, Gwarancja, Symbole | Prosimy o uwazne przeczytanie i przestrzeganie zalecen zamie szczonych w tej instrukcji. | POLSKI | 48 |
| Műszaki adatok, Különleges biztonsági tudnivalók, Rendeltetésszerű használat, Ce-azonossági nyilatkozat, Akkuk, Jellegzetességek, Karbantartás, Szimbólumok | Olvassa el és őrizze meg | MAGYAR | 50 |
| Tehnični podatki, Specialni varnostni napotki, Uporaba v skladu z namembnostjo, Ce-izjava o konformnosti, Akumulatorji, Značilnosti, Vzdrževanje, Simboli | Prosimo preberite in shranite! | SLOVENSKO | 52 |
| Tehnički podaci, Specijalne sigurnosne upute, Propisna upotreba, CE-Izjava konformnosti, Baterije, Obilježja, Održavanje, Simboli | Molimo pročitati i sačuvati | HRVATSKI | 54 |
| Tehniskie dati, Speciālie drošības noteikumi, Noteikumiem atbilstošs izmantojums, Atbilstība CE normām, Akumulātori, Pazīmes, Apkope, Simboli | Pielikums lietošanas pamācībai | LATVISKI | 56 |
| Techniniai duomenys, Ypatingos saugumo nuorodos, Naudojimas pagal paskirtį, CE Atitikties pareiškimas, Akumuliatoriai, Požymiai, Techninis aptarnavimas, Simboliai | Prašome perskaityti ir neišmesti! | LIETUVIŠKAI | 58 |
| Tehnilised andmed, Spetsiaalsed turvajuhtised, Kasutamine vastavalt oltstarbele, EU Vastavusavaldus, Akud, Tunnused, Hooldus, Sümbolid | Palun lugege läbi ja hoidke alal! | EESTI | 60 |
| Технические данные, Рекомендации по технике безопасности, Использо- вание, Аккумулятор, Характеристики, Обслуживание, Символы | Пожалуйста, прочтите и сохраните настоящую! инструкцию | РУССКИЙ | 62 |
| Технически данни, Специални указания за безопасност, Използване по предназначение, CE-Декларация за съответствие, Аккумулятори, Характеристики, Поддръжка, Символи | Моля прочетете и запазете! | БЪЛГАРСКИ | 64 |
| Date tehnice, Instrucțiuni de securitate, Condiții de utilizare specificate, Declarație de conformitate, Alimentare de la rețea, Caracteristici, Intreținere, Simboluri | Va rugăm citiți și păstrați aceste instrucțiuni | ROMÂNIA | 66 |
| Технички Податоци, Упатство За Употреба, Специфицирани Услови На Употреба, Еу-декларација За Сообразност, Батерии, Карактеристики, Одржување, Символи | Ве молиме прочитајте го и чувајте го ова упатство! | МАКЕДОНСКИ | 68 |
| 技术数据, 特殊安全指示, 正确地使用机器, 欧洲安全规定说明, 蓄电池, 特点, 维修, 符号 | 请详细阅读并妥善保存! | 中文 | 70 |



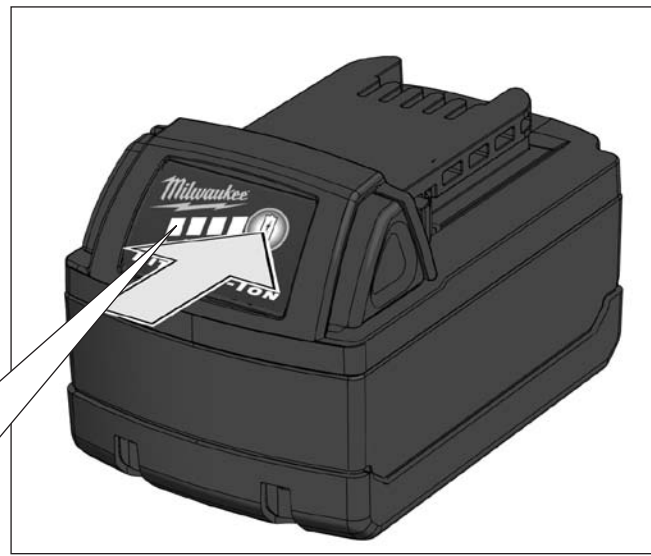
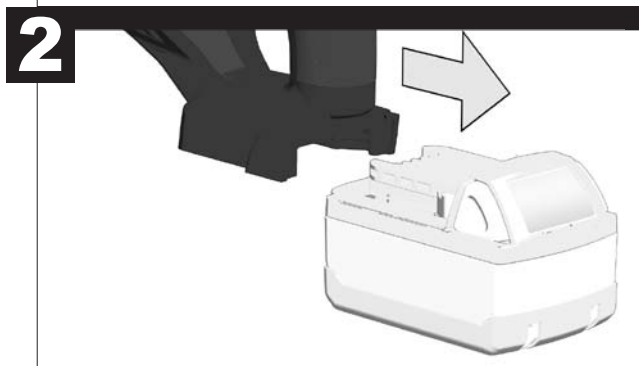
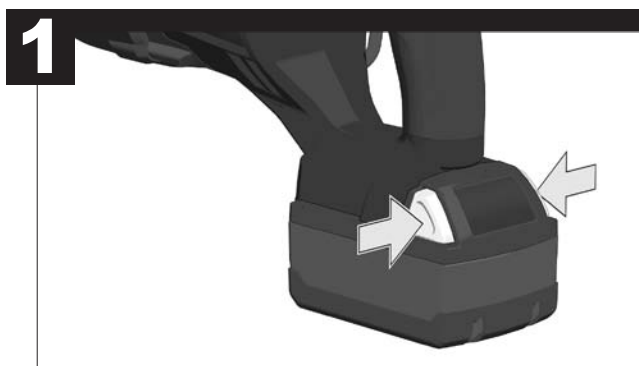
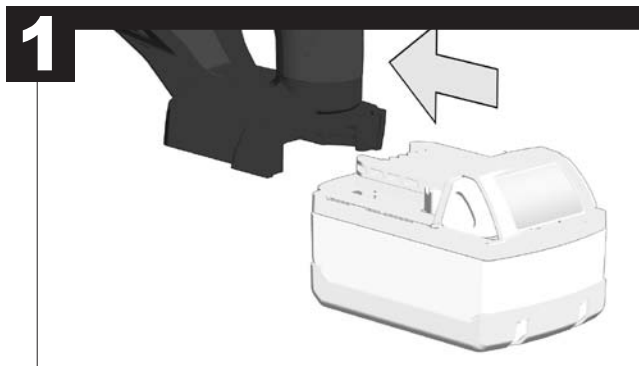
| | | | |
|--|---|---|---|
| | <p>Remove the battery pack before starting any work on the machine. Vor allen Arbeiten an der Maschine den Wechselakku herausnehmen. Avant tous travaux sur la machine retirer l'accu interchangeable. Prima di iniziare togliere la batteria dalla macchina. Retire la batería antes de comenzar cualquier trabajo en la máquina. Antes de efectuar cualquier intervención en la máquina retirar o bloco acumulador. Voor alle werkzaamheden aan de machine de akku verwijderen. Ved arbejde inden i maskinen, bør batteriet tages ud.</p> | <p>Ta ut vekselbatteriet før du arbeider på maskinen. Drag ur batteripaket innan arbete utföres på maskinen. Tarkista pistotulppa ja verkkojohto mahdollisilta vaurioilta. Viat saa korjata vain alan erikoismies. Πριν από κάθε εργασία στη μηχανή αφαιρείτε την ανταλλακτική μπαταρία. Aletin kendinde bir çalışma yapmadan önce kartuşu çıkarın. Před zahájením veškerých prací na vrtacím šroubováku vyjmout výměnný akumulátor. Pred každou pracou na stroji výmenný akumulátor vyťahnut. Przed przystąpieniem do jakichkolwiek prac na elektronarzędziu należy wyjąć wkładkę akumulatorową. Karbantartás, javítás, tisztítás, stb. előtt az akkumulátort ki kell venni a készülékből.</p> | <p>Prije svih radova na stroju izvaditi bateriju za zamjenu. Pirms mašīnai veikt jebkāda veida apkopes darbus, ir jāizņem ārā akumulators. Prieš atikdami bet kokius darbus įrenginyje, išimkite keičiamą akumuliatorių. Enne kõiki töid masina kallal võtke vahetatav aku välja. Вийньте акумулятор из машини перед проведенієм с неї каких-либо маніпуляцій. Преди започване на каквито е да е работи по машината извадете акумулятора. Scoateți acumulatorul înainte de a începe orice intervenție pe mașină. 在机器上进行任何维修工作之前，先拿出蓄电池。</p> |
|--|---|---|---|



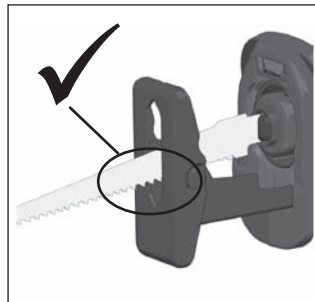
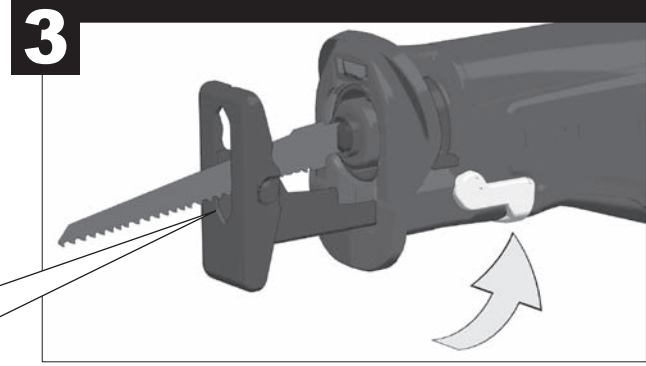
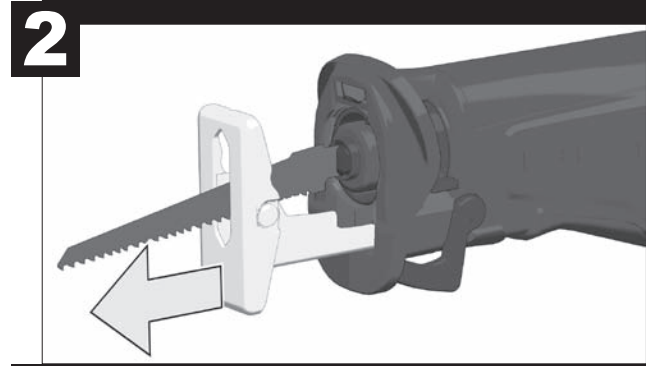
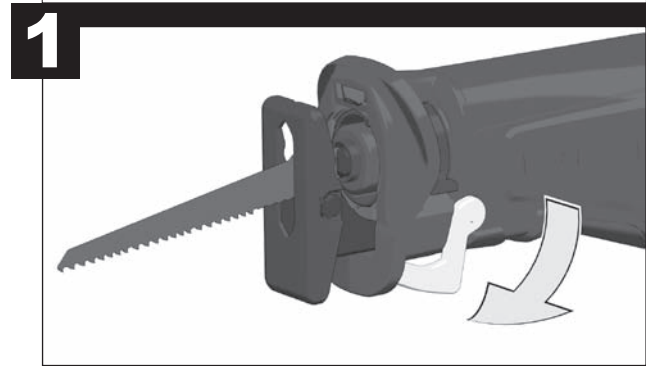
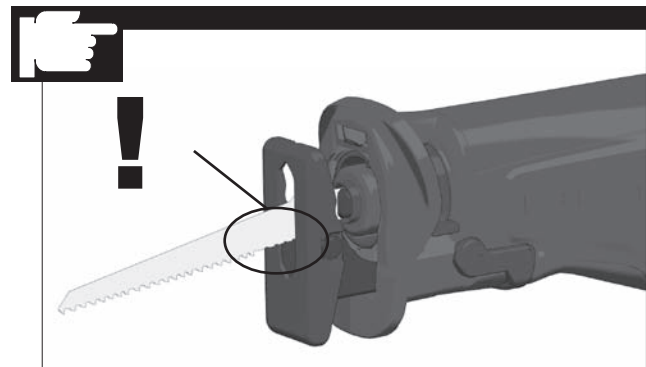
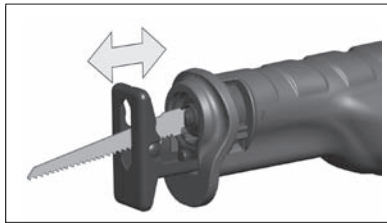
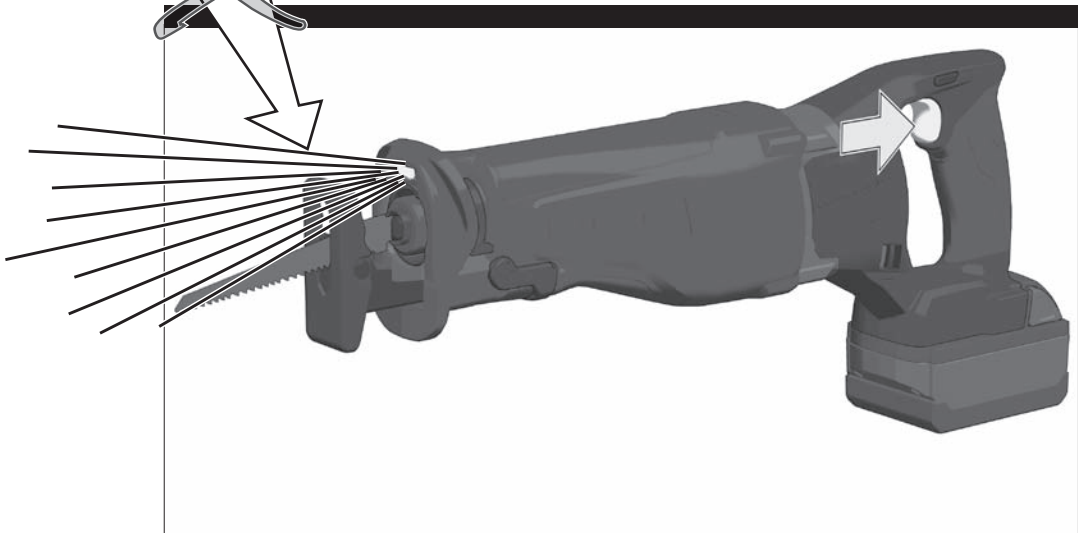
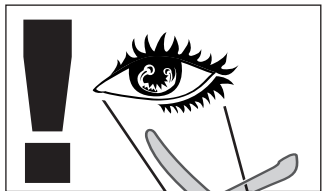
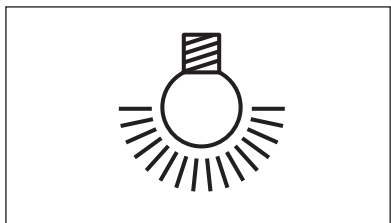
Remove the battery pack before starting any work on the machine.
 Vor allen Arbeiten an der Maschine den Wechselakku herausnehmen
 Avant tous travaux sur la machine retirer l'acçu interchangeable.

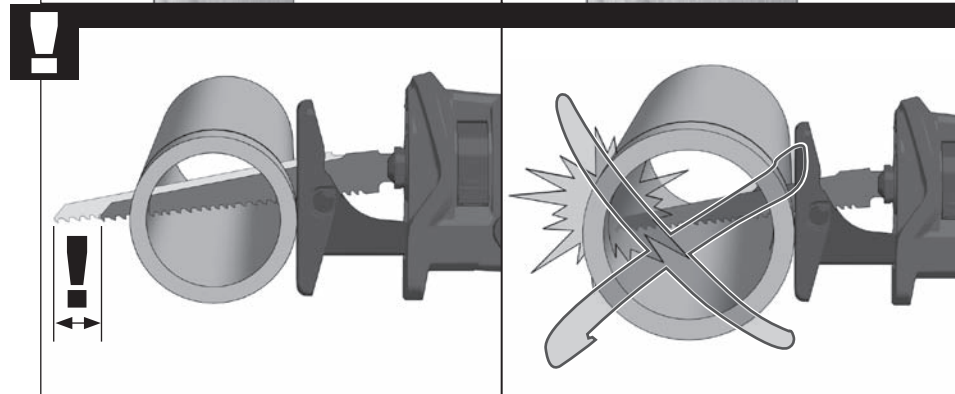
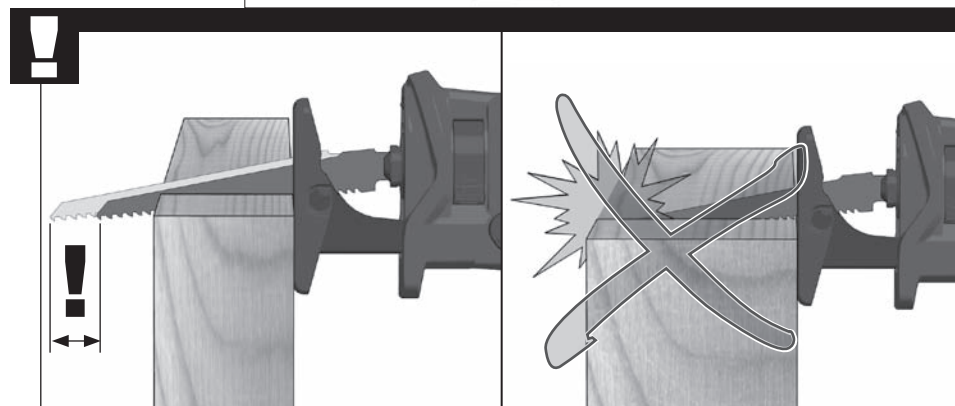
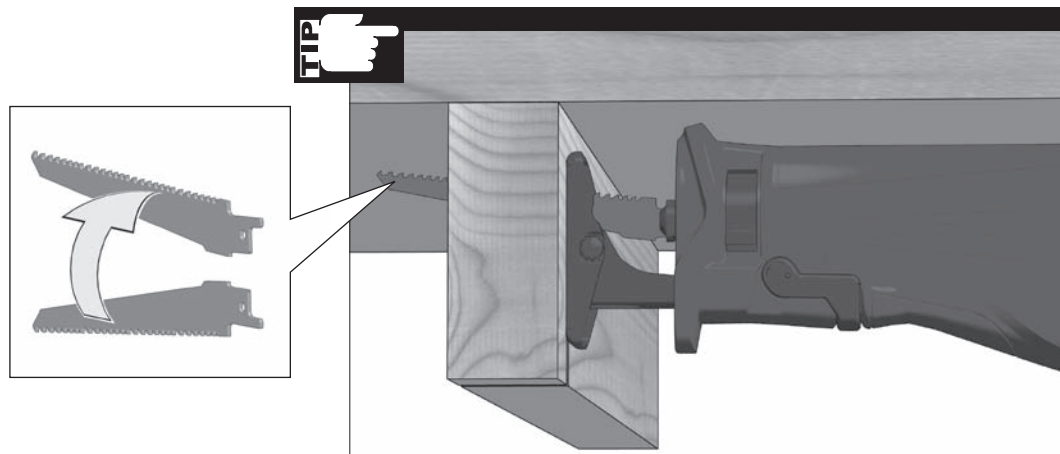
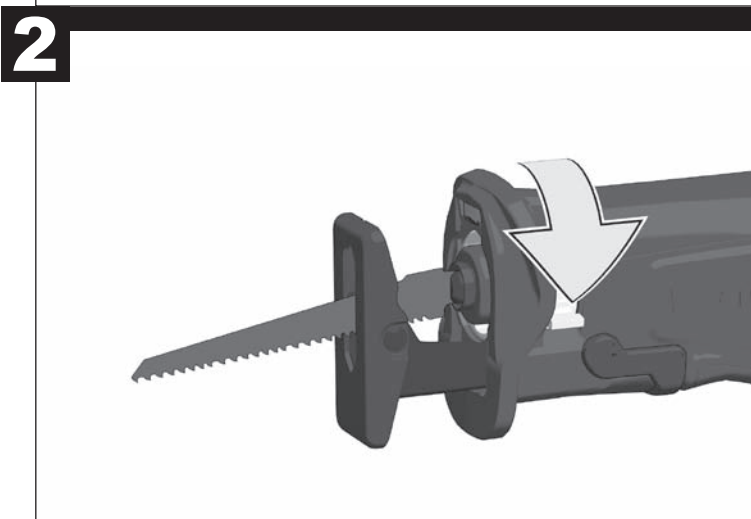
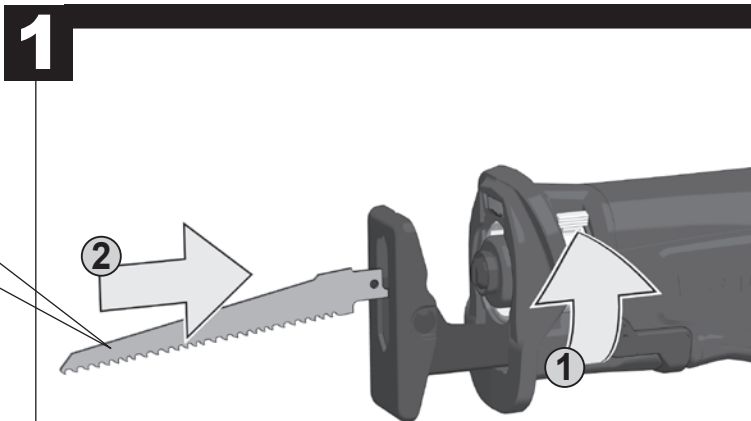
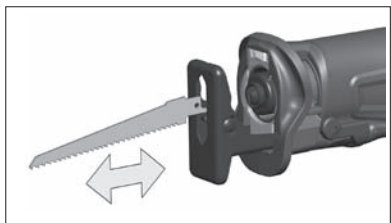
Prima di iniziare togliere la batteria dalla macchina.
 Retire la batería antes de començar cualquier trabajo en la máquina.
 Antes de efectuar qualquer intervenção na máquina retirar o bloco acumulador.
 Voor alle werkzaamheden aan de machine de akku verwijderen.
 Ved arbejde inden i maskinen, bør batteriet tages ud.
 Ta ut vekselbatteriet før du arbeider på maskinen
 Drag ur batteripaket innan arbete utföres på maskinen.
 Ota akku pois ennen kaikkia koneeseen tehtäviä toimenpiteitä.
 Πριν από κάθε εργασία στη μηχανή αφαιρείτε την ανταλλακτική μπαταρία.

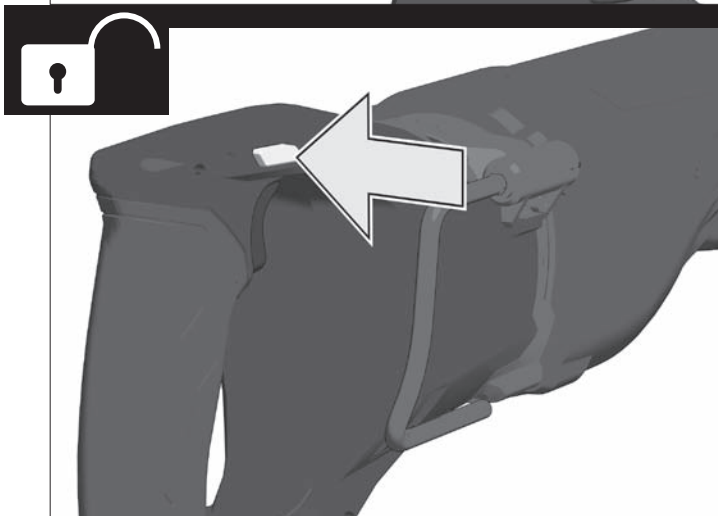
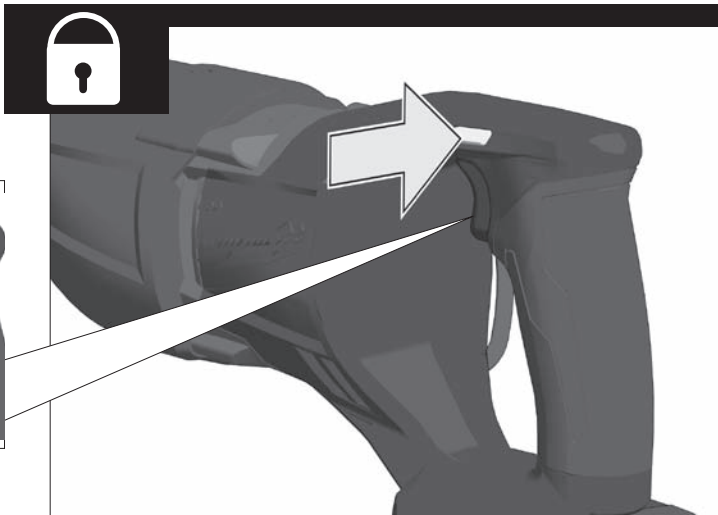
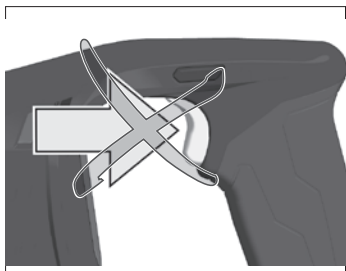
Aletin kendinde bir çalışma yapmadan önce kartuş aküyü çıkarın.
 Před zahájením veškerých prací na vrtacím šroubovákú vyjmout výměnný akumulátor.
 Pred každou prácou na stroji výmenný akumulátor vytiahnuť.
 Przed przystąpieniem do jakichkolwiek prac na elektronarzędziu należy wyjąć wkładkę akumulatorową.
 Karbantartás, javítás, tisztítás, stb. előtt az akkumulátort ki kell venni a készülékből.
 Pred deli na stroju izvlécite izmenljivi akumulator.
 Prije svih radova na stroju izvaditi bateriju za zamjenu.
 Pirms mašīnai veikt jebkāda veida apkopes darbus, ir jāizņem arī akumulators.
 Prieš atikdami bet kokius darbus įrenginyje, išimkite keičiamą akumuliatorių.
 Enne kōiki töid masina kallal võtke vahetatav aku välja.
 Выньте аккумулятор из машины перед проведением с ней каких-либо манипуляций.
 Преди започване на каквито е да е работи по машината извадете акумулатора.
 Scoateți acumulatorul înainte de a începe orice intervenție pe mașină.
 Отстранете ја батеријата пред да започнете да ја користите машината.
 在机器上进行任何维护工作之前，先拿出蓄电池。



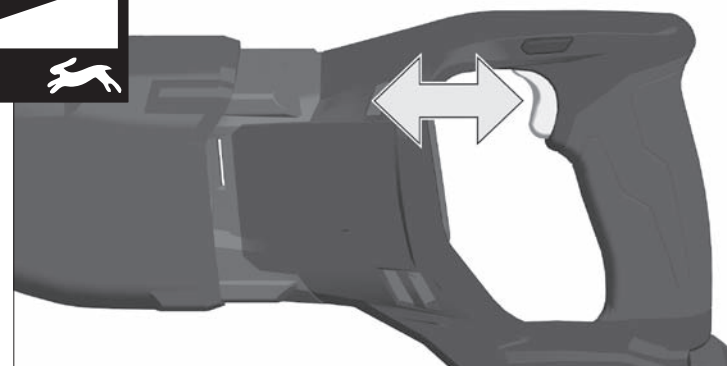
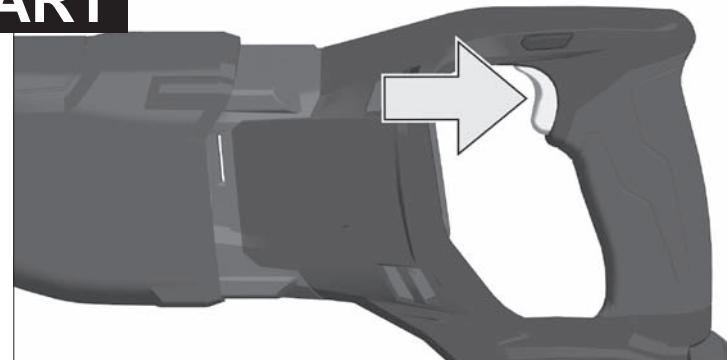
| | |
|--|----------|
| | 78-100 % |
| | 55-77 % |
| | 33-54 % |
| | 10-32 % |
| | < 10 % |



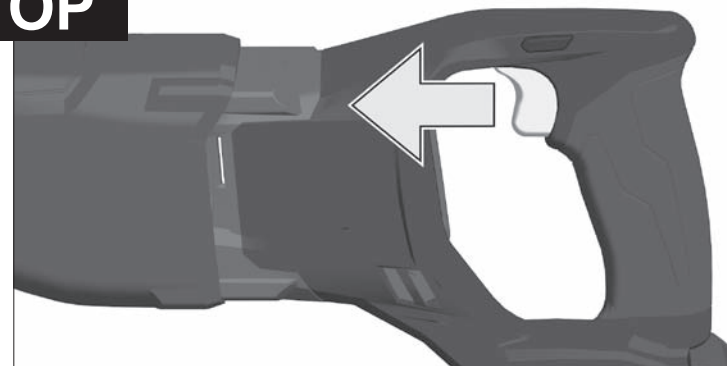


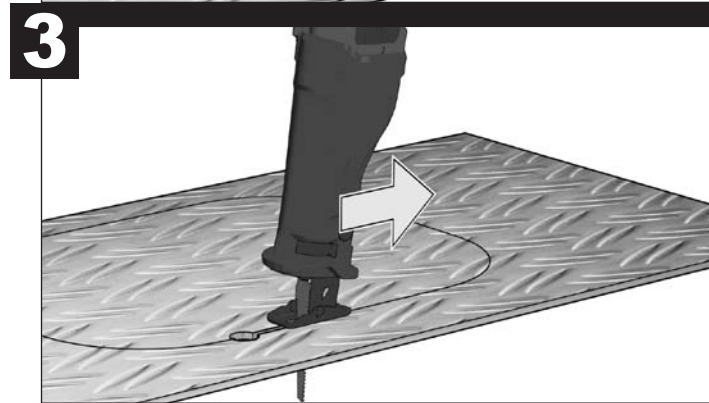
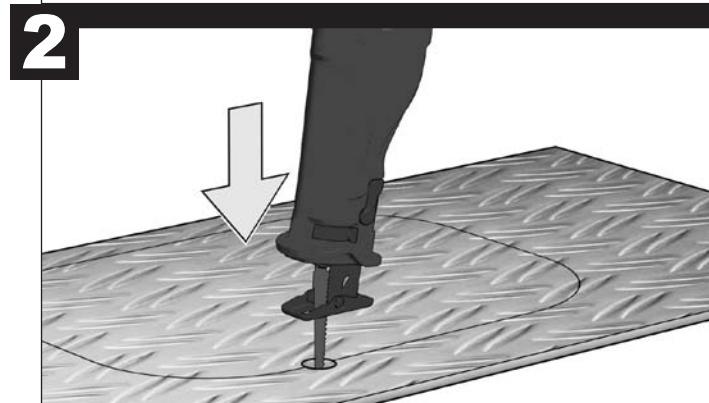
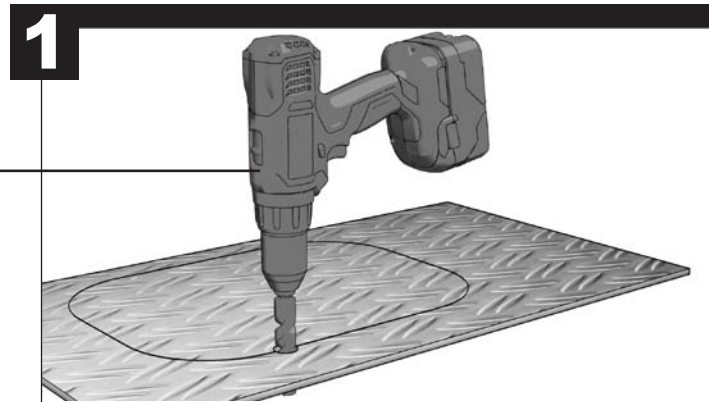
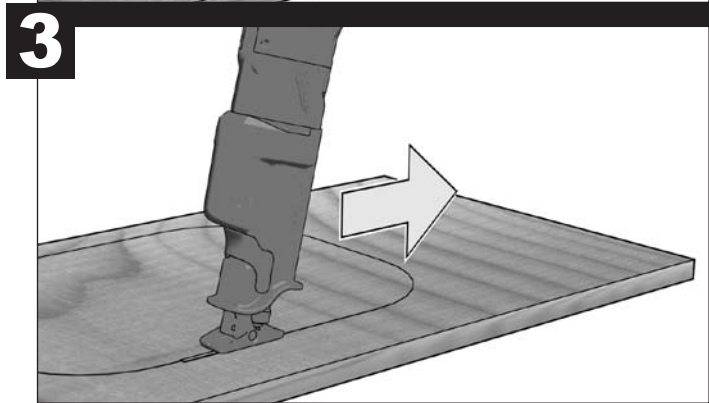
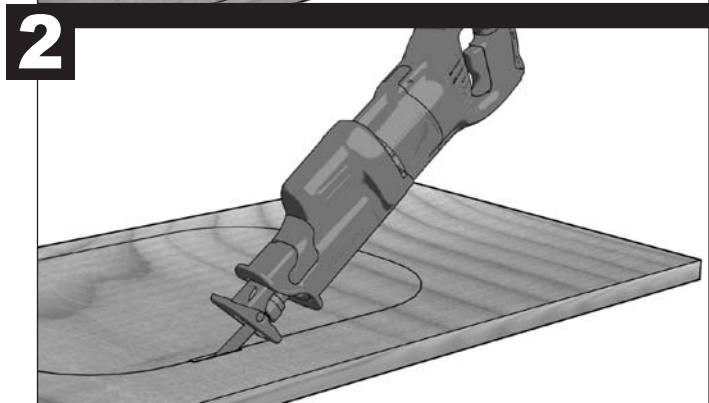
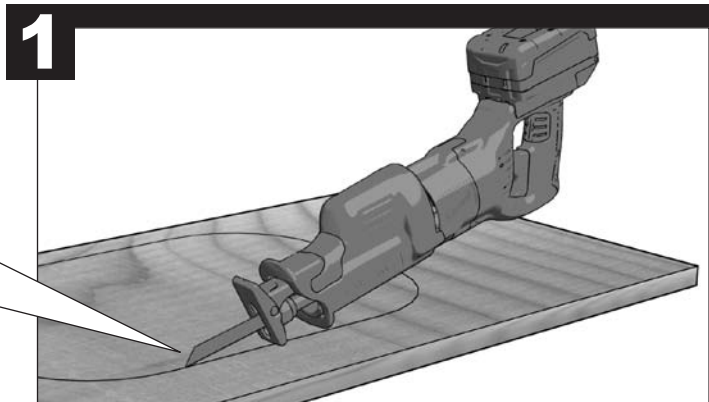
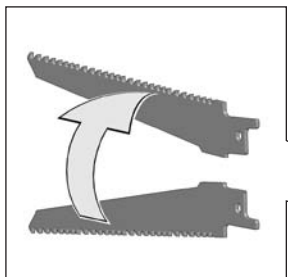
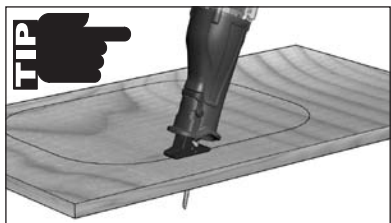


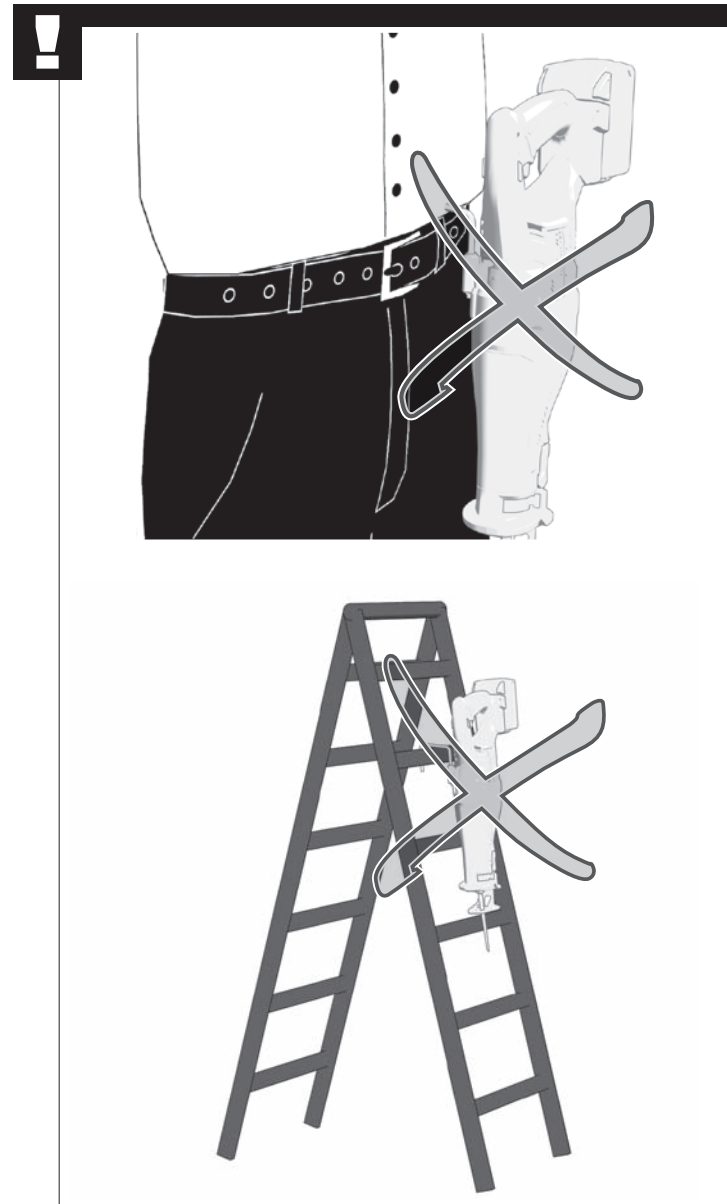
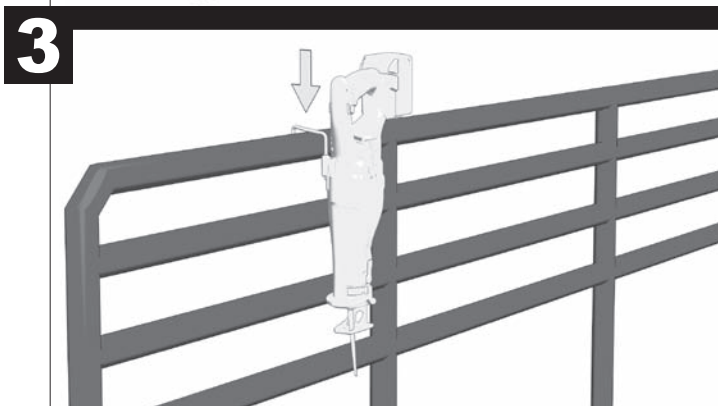
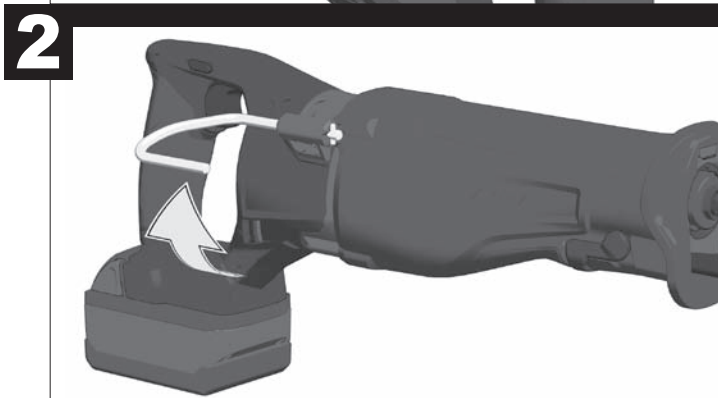
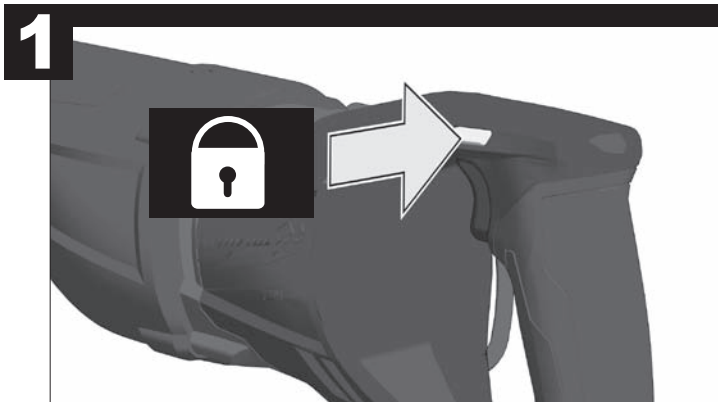
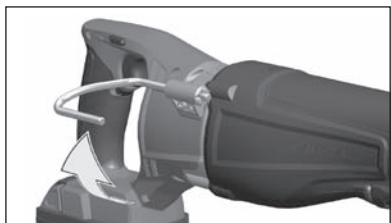
START



STOP







TECHNICAL DATA **Cordless Reciprocating Saw** **M18 CSX**

| | |
|--|--------------------------------|
| Production code..... | 4460 71 01 ...000001-999999 |
| Cutting depth max. in: | |
| Soft- wood | 300 mm |
| Steel | 20 mm |
| Aluminium..... | 25 mm |
| Non-ferrous metal..... | 25 mm |
| Metal pipe..... | 150 mm |
| Stroke rate | 0-3000 min ⁻¹ |
| Lengths of stroke..... | 28,6 mm |
| Battery voltage..... | 18 V |
| Weight according EPTA-Procedure 01/2003..... | 4,1 kg |

Noise/vibration information

Measured values determined according to EN 60 745.

Typically, the A-weighted noise levels of the tool are:

| | |
|--|-------------|
| Sound pressure level (K=3 dB(A)) | 84,9 dB (A) |
| Sound power level (K=3 dB(A)) | 95,9 dB (A) |

Wear ear protectors!

Total vibration values (vector sum in the three axes) determined according to EN 60745.

| | |
|---|-----------------------|
| Vibration emission value a _h | |
| Cutting boards | 16,7 m/s ² |
| Uncertainty K=..... | 1,5 m/s ² |
| Cutting wooden beams..... | 22,3 m/s ² |
| Uncertainty K=..... | 3,0 m/s ² |

WARNING

The vibration emission level given in this information sheet has been measured in accordance with a standardised test given in EN 60745 and may be used to compare one tool with another. It may be used for a preliminary assessment of exposure.

The declared vibration emission level represents the main applications of the tool. However if the tool is used for different applications, with different accessories or poorly maintained, the vibration emission may differ. This may significantly increase the exposure level over the total working period.

An estimation of the level of exposure to vibration should also take into account the times when the tool is switched off or when it is running but not actually doing the job. This may significantly reduce the exposure level over the total working period.

Identify additional safety measures to protect the operator from the effects of vibration such as: maintain the tool and the accessories, keep the hands warm, organisation of work patterns.

⚠ WARNING! Read all safety warnings and all instructions. Failure to follow the warnings and instructions may result in electric shock, fire and/or serious injury.
Save all warnings and instructions for future reference.

SAFETY INSTRUCTIONS

Wear ear protectors. Exposure to noise can cause hearing loss.

Hold power tool by insulated gripping surfaces, when performing an operation where the cutting accessory may contact hidden wiring. Cutting accessory contacting a „live“ wire may make exposed metal parts of the power tool „live“ and could give the operator an electric shock.

Always wear goggles when using the machine. It is recommended to wear gloves, sturdy non slipping shoes and apron.

Sawdust and splinters must not be removed while the machine is running.

Always use the protective shields on the machine.

The dust produced when using this tool may be harmful to health. Do not inhale the dust. Wear a suitable dust protection mask.

Do not use cracked or distorted saw blades.

Plunge cuts without pre-drilling a hole are possible with soft materials (wood, light building materials for walls). Harder materials (metals) must first be drilled with a hole corresponding to the size of the saw blade.

Always place the guide shoe on the workpiece when sawing.

When working in walls ceiling, or floor, take care to avoid electric cables and gas or waterpipes.

Do not dispose of used battery packs in the household refuse or by burning them. Milwaukee Distributors offer to retrieve old batteries to protect our environment.

Do not store the battery pack together with metal objects (short circuit risk).

Use only System V-Tec chargers for charging System V-Tec battery packs. Do not use battery packs from other systems.

No metal parts must be allowed to enter the battery section of the charger (short circuit risk).

Never break open battery packs and chargers and store only in dry rooms. Keep dry at all times.

Battery acid may leak from damaged batteries under extreme load or extreme temperatures. In case of contact with battery acid wash it off immediately with soap and water. In case of eye contact rinse thoroughly for at least 10 minutes and immediately seek medical attention.

EC-DECLARATION OF CONFORMITY

We declare under our sole responsibility that the product described under "Technical Data" fulfills all the relevant regulations and the directives 2011/65/EU (RoHS), 2006/42/EC, 2004/108/EC and the following harmonized standards have been used:

- EN 60745-1:2009 + A11:2010
- EN 60745-2-11:2010
- EN 55014-1:2006 + A1:2009 + A2:2011
- EN 55014-2:1997 + A1:2001 + A2:2008

Winnenden, 2013-07-01

Alexander Krug

Alexander Krug
Managing Director



Authorized to compile the technical file.

Techtronic Industries GmbH
Max-Eyth-Straße 10
71364 Winnenden
Germany

SPECIFIED CONDITIONS OF USE

This sabre saw cuts wood, plastic, and metal. It can cut straight lines, curves, and internal cut-outs. It cuts pipes and can cut flush to a surface.

Do not use this product in any other way as stated for normal use.

ELECTRIC BRAKE

The electric brake engages when the trigger is released, causing the blade to stop and allowing you to proceed with your work. Generally, the saw blade stops within two seconds. However, there may be a delay between the time you release the trigger and when the brake engages. Occasionally the brake may miss completely. If the brake misses frequently, the saw needs servicing by an authorized Milwaukee service facility.

You must always wait for the blade to stop completely before removing the saw from the workpiece.

BATTERIES

New battery packs reach full loading capacity after 4 - 5 chargings and dischargings. Battery packs which have not been used for some time should be recharged before use.

Temperatures in excess of 50°C (122°F) reduce the performance of the battery pack. Avoid extended exposure to heat or sunshine (risk of overheating).

The contacts of chargers and battery packs must be kept clean.

For an optimum life-time, after use, the battery packs have to be fully charged.

To obtain the longest possible battery life remove the battery pack from the charger once it is fully charged.

For battery pack storage longer than 30 days:
Store the battery pack where the temperature is below 27°C and away from moisture

Store the battery packs in a 30% - 50% charged condition
Every six months of storage, charge the pack as normal.

BATTERY PACK PROTECTION

In extremely high torque, binding, stalling and short circuit situations that cause high current draw, the tool will vibrate for about 2 seconds and then the tool will turn OFF.

To reset, release the trigger.

Under extreme circumstances, the internal temperatur of the battery could become to high. If this happens, the battery will shut down.

Place the battery on the charger to charge and reset it.

MAINTENANCE

The ventilation slots of the machine must be kept clear at all times.

Use only Milwaukee accessories and spare parts. Should components need to be replaced which have not been described, please contact one of our Milwaukee service agents (see our list of guarantee/service addresses).

If needed, an exploded view of the tool can be ordered. Please state the machine type printed as well as the six-digit No. on the label and order the drawing at your local service agents or directly at: Techtronic Industries GmbH, Max-Eyth-Straße 10, 71364 Winnenden, Germany.

SYMBOLS



Please read the instructions carefully before starting the machine.



Remove the battery pack before starting any work on the machine.



Accessory - Not included in standard equipment, available as an accessory.



Do not dispose of electric tools together with household waste material! In observance of European Directive 2002/96/EC on waste electrical and electronic equipment and its implementation in accordance with national law, electric tools that have reached the end of their life must be collected separately and returned to an environmentally compatible recycling facility.

TECHNISCHE DATEN **Akku-Säbelsäge** **M18 CSX**

| | |
|--|--------------------------|
| Produktionsnummer | 4460 71 01 |
| | ...000001-999999 |
| Schnitttiefe max. in: | |
| Weichholz | 300 mm |
| Stahl | 20 mm |
| Aluminium | 25 mm |
| Buntmetall | 25 mm |
| Metallrohre | 150 mm |
| Leerlaufhubzahl | 0-3000 min ⁻¹ |
| Hubhöhe | 28,6 mm |
| Spannung Wechselakku | 18 V |
| Gewicht nach EPTA-Prozedur 01/2003 | 4,1 kg |

Geräusch/Vibrationsinformation

Messwerte ermittelt entsprechend EN 60 745.

Der A-bewertete Geräuschpegel des Gerätes beträgt typischerweise:

| | |
|---------------------------------------|-------------|
| Schalldruckpegel (K=3dB(A)) | 84,9 dB (A) |
| Schallleistungspegel (K=3dB(A)) | 95,9 dB (A) |

Gehörschutz tragen!

Schwingungsgesamtwerte (Vektorsumme dreier Richtungen) ermittelt entsprechend EN 60745.

| | |
|---|-----------------------|
| Schwingungsemissionswert a _n | |
| Sägen von Holz: | 16,7 m/s ² |
| Unsicherheit K = | 1,5 m/s ² |
| Sägen von Holzbalken: | 22,3 m/s ² |
| Unsicherheit K = | 3,0 m/s ² |

WARNUNG

Der in diesen Anweisungen angegebene Schwingungspegel ist entsprechend einem in EN 60745 genormten Messverfahren gemessen worden und kann für den Vergleich von Elektrowerkzeugen miteinander verwendet werden. Er eignet sich auch für eine vorläufige Einschätzung der Schwingungsbelastung.

Der angegebene Schwingungspegel repräsentiert die hauptsächlichen Anwendungen des Elektrowerkzeugs. Wenn allerdings das Elektrowerkzeug für andere Anwendungen, mit abweichenden Einsatzwerkzeugen oder ungenügender Wartung eingesetzt wird, kann der Schwingungspegel abweichen. Dies kann die Schwingungsbelastung über den gesamten Arbeitszeitraum deutlich erhöhen.

Für eine genaue Abschätzung der Schwingungsbelastung sollten auch die Zeiten berücksichtigt werden, in denen das Gerät abgeschaltet ist oder zwar läuft, aber nicht tatsächlich im Einsatz ist. Dies kann die Schwingungsbelastung über den gesamten Arbeitszeitraum deutlich reduzieren.

Legen Sie zusätzliche Sicherheitsmaßnahmen zum Schutz des Bedieners vor der Wirkung von Schwingungen fest wie zum Beispiel: Wartung von Elektrowerkzeug und Einsatzwerkzeugen, Warmhalten der Hände, Organisation der Arbeitsabläufe.

⚠️ WARNUNG! Lesen Sie alle Sicherheitshinweise und Anweisungen. Versäumnisse bei der Einhaltung der Sicherheitshinweise und Anweisungen können elektrischen Schlag, Brand und/oder schwere Verletzungen verursachen. **Bewahren Sie alle Sicherheitshinweise und Anweisungen für die Zukunft auf.**

SPEZIELLE SICHERHEITSHINWEISE

Tragen Sie Gehörschutz. Die Einwirkung von Lärm kann Gehörverlust bewirken.

Halten Sie das Gerät an den isolierten Griffflächen, wenn Sie Arbeiten ausführen, bei denen das Einsatzwerkzeug verborgene Stromleitungen treffen kann. Der Kontakt des Schneidwerkzeugs mit einer spannungsführenden Leitung kann metallene Geräteteile unter Spannung setzen und zu einem elektrischen Schlag führen.

Beim Arbeiten mit der Maschine stets Schutzbrille tragen. Schutzhandschuhe, festes und rutschsicheres Schuhwerk und Schürze werden empfohlen.

Späne oder Splitter dürfen bei laufender Maschine nicht entfernt werden.

Schutzeinrichtung der Maschine unbedingt verwenden.

Beim Arbeiten entstehender Staub ist oft gesundheitsschädlich und sollte nicht in den Körper gelangen. Geeignete Staubschutzmaske tragen.

Rissige Sägeblätter oder solche, die ihre Form verändert haben, dürfen nicht verwendet werden!

Tauchsägen ist nur in weicheren Materialien (Holz, Leichtbaustoffe für Wände) möglich, bei härteren Materialien

(Metalle) muss eine dem Sägeblatt entsprechende große Bohrung angebracht werden.

Führungsbügel beim Sägen immer am Werkstück anlegen.

Beim Arbeiten in Wand, Decke oder Fußboden auf elektrische Kabel, Gas- und Wasserleitungen achten.

Verbrauchte Wechselakkus nicht ins Feuer oder in den Hausmüll werfen. Milwaukee bietet eine umweltgerechte Alt-Wechselakku-Entsorgung an; bitte fragen Sie Ihren Fachhändler.

Wechselakkus nicht zusammen mit Metallgegenständen aufbewahren (Kurzschlussgefahr).

Wechselakkus des Systems V-Tec nur mit Ladegeräten des Systems V-Tec laden. Keine Akkus aus anderen Systemen laden.

In den Wechselakku-Einschubschacht der Ladegeräte dürfen keine Metallteile gelangen (Kurzschlussgefahr).

Wechselakkus und Ladegeräte nicht öffnen und nur in trockenen Räumen lagern. Vor Nässe schützen.

Unter extremer Belastung oder extremer Temperatur kann aus beschädigten Wechselakkus Batterieflüssigkeit auslaufen. Bei Berührung mit Batterieflüssigkeit sofort mit Wasser und Seife abwaschen. Bei Augenkontakt sofort mindestens 10 Minuten gründlich spülen und unverzüglich einen Arzt aufsuchen.

CE-KONFORMITÄTSERLÄRUNG

Wir erklären in alleiniger Verantwortung, dass das unter „Technische Daten“ beschriebene Produkt mit allen relevanten Vorschriften der Richtlinie 2011/65/EU (RoHS), 2006/42/EG, 2004/108/EG und den folgenden harmonisierten normativen Dokumenten übereinstimmt:

EN 60745-1:2009 + A11:2010

EN 60745-2-11:2010

EN 55014-1:2006 + A1:2009 + A2:2011

EN 55014-2:1997 + A1:2001 + A2:2008

Winnenden, 2013-07-01



Alexander Krug
Managing Director



Bevollmächtigt die technischen Unterlagen zusammenzustellen

Techtronic Industries GmbH

Max-Eyth-Straße 10

71364 Winnenden

Germany

BESTIMMUNGSGEMÄÑE VERWENDUNG

Die Säbelsäge sägt Holz, Kunststoff und Metall. Sie schneidet Geraden, Kurven und Innenausschnitte. Sie schneidet Rohre und trennt flächenbündig ab.

Dieses Gerät darf nur wie angegeben bestimmungsgemäß verwendet werden.

ELEKTRISCHE BREMSE

Bei Loslassen des Schalterdrückers wird das Sägeblatt innerhalb von ca. 2 Sekunden durch die elektrische Bremse gestoppt. Allerdings kann die elektrische Bremse auch verzögert wirken. Gelegentlich ist die elektrische Bremse nicht wirksam. Sollte die elektrische Bremse häufiger nicht wirken, muss die Säge zu einer autorisierten Milwaukee Servicestelle gebracht werden.

Erst nach Stillstand des Sägeblattes die Säge aus dem Werkstück ziehen.

AKKUS

Neue Wechselakkus erreichen ihre volle Kapazität nach 4-5 Lade- und Entladezyklen. Längere Zeit nicht benutzte Wechselakkus vor Gebrauch nachladen.

Eine Temperatur über 50°C vermindert die Leistung des Wechselakkus. Längere Erwärmung durch Sonne oder Heizung vermeiden.

Die Anschlusskontakte an Ladegerät und Wechselakku sauber halten.

Für eine optimale Lebensdauer müssen nach dem Gebrauch die Akkus voll geladen werden.

Für eine möglichst lange Lebensdauer sollten die Akkus nach dem Aufladen aus dem Ladegerät entfernt werden.

Bei Lagerung des Akkus länger als 30 Tage:

Akku bei ca. 27°C und trocken lagern.

Akku bei ca. 30%-50% des Ladezustandes lagern.

Akku alle 6 Monate erneut aufladen.

AKKÜBERLASTSCHUTZ

Bei Überlastung des Akkus durch sehr hohen Stromverbrauch, z.B. extrem hohe Drehmomente, Verklemmen des Bohrers, plötzlichem Stopp oder Kurzschluss, brummt das Elektrowerkzeug 2 Sekunden lang und schaltet sich selbsttätig ab.

Zum Wiedereinschalten, den Schalterdrücker loslassen und dann wieder einschalten.

Unter extremen Belastungen kann sich der Akku stark erhitzen. In diesem Fall schaltet der Akku ab.

Den Akku dann in das Ladegerät stecken um ihn wieder aufzuladen und zu aktivieren.

WARTUNG

Stets die Lüftungsschlitze der Maschine sauber halten.

Nur Milwaukee Zubehör und Milwaukee Ersatzteile verwenden. Bauteile, deren Austausch nicht beschrieben wurde, bei einer Milwaukee Kundendienststelle auswechseln lassen (Broschüre Garantie/Kundendienstadressen beachten).

Bei Bedarf kann eine Explosionszeichnung des Gerätes unter Angabe der Maschinen Type und der sechsstelligen Nummer auf dem Leistungsschild bei Ihrer Kundendienststelle oder direkt bei Techtronic Industries GmbH, Max-Eyth-Straße 10, 71364 Winnenden, Germany angefordert werden.

SYMBOLE



Bitte lesen Sie die Gebrauchsanweisung vor Inbetriebnahme sorgfältig durch.



Vor allen Arbeiten an der Maschine den Wechselakku herausnehmen



Zubehör - Im Lieferumfang nicht enthalten, empfohlene Ergänzung aus dem Zubehörprogramm.



Werfen Sie Elektrowerkzeuge nicht in den Hausmüll!

Gemäss Europäischer Richtlinie 2002/96/EG über Elektro- und Elektronik-Altgeräte und Umsetzung in nationales Recht müssen verbrauchte Elektrowerkzeuge getrennt gesammelt und einer umweltgerechten Wiederverwertung zugeführt werden.

CARACTÉRISTIQUES TECHNIQUES**Scie Sabre sans fil****M18 CSX**

| | |
|--|--------------------------------|
| Numéro de série..... | 4460 71 01 ...000001-999999 |
| Profondeur de coupe max. : | |
| Bois tendre | 300 mm |
| Acier | 20 mm |
| Aluminium..... | 25 mm |
| Métal lourd non-ferreux | 25 mm |
| Tubes métalliques | 150 mm |
| Nombre de courses à vide..... | 0-3000 min ⁻¹ |
| Hauteur de la course | 28,6 mm |
| Tension accu interchangeable | 18 V |
| Poids suivant EPTA-Procédure 01/2003 | 4,1 kg |

Informations sur le bruit et les vibrations

Valeurs de mesure obtenues conformément à la EN 60 745.

La mesure réelle (A) du niveau de bruit de l'outil est

| | |
|--|-------------|
| Niveau de pression acoustique (K=3 dB(A))..... | 84,9 dB (A) |
| Niveau d'intensité acoustique (K=3 dB(A))..... | 95,9 dB (A) |

Toujours porter une protection acoustique!

Valeurs totales des vibrations (somme vectorielle de trois sens) établies conformément à EN 60745.

| | |
|---|-----------------------|
| Valeur d'émission vibratoire a _v | |
| Découpe de poutres en bois | 16,7 m/s ² |
| Incertitude K | 1,5 m/s ² |
| Sciage du panneau de particules | 22,3 m/s ² |
| Incertitude K | 3,0 m/s ² |

AVERTISSEMENT

Le niveau vibratoire indiqué dans ces instructions a été mesuré selon un procédé de mesure normalisé dans la norme EN 60745 et peut être utilisé pour comparer des outils électriques entre eux. Il convient aussi à une estimation provisoire de la sollicitation par les vibrations.

Le niveau vibratoire indiqué représente les applications principales de l'outil électrique. Toutefois, si l'outil électrique est utilisé pour d'autres applications, avec des outils rapportés qui diffèrent ou une maintenance insuffisante, il se peut que le niveau vibratoire diverge. Cela peut augmenter nettement la sollicitation par les vibrations sur tout l'intervalle de temps du travail.

Pour une estimation précise de la sollicitation par les vibrations, on devrait également tenir compte des temps pendant lesquels l'appareil n'est pas en marche ou tourne sans être réellement en service. Cela peut réduire nettement la sollicitation par les vibrations sur tout l'intervalle de temps du travail.

Définissez des mesures de sécurité supplémentaires pour protéger l'utilisateur contre l'influence des vibrations, comme par exemple: la maintenance de l'outil électrique et des outils rapportés, le maintien au chaud des mains, l'organisation des déroulements de travail.

⚠ AVIS! Lire complètement les instructions et les indications de sécurité. Le non-respect des avertissements et instructions indiqués ci après peut entraîner un choc électrique, un incendie et/ou de graves blessures sur les personnes.
Bien garder tous les avertissements et instructions.

INSTRUCTIONS DE SÉCURITÉ PARTICULIÈRES

Portez une protection acoustique. L'influence du bruit peut provoquer la surdité.

Maintenez l'appareil par les surfaces de poignée isolées lorsque vous exécutez des travaux pendant lesquels l'outil de coupe peut toucher des lignes électriques dissimulées. Le contact avec un câble sous tension met les parties métalliques de l'appareil sous tension et provoque une décharge électrique.

Toujours porter des lunettes protectrices en travaillant avec la machine. Des gants de sécurité, des chaussures solides et à semelles antidérapantes et un tablier sont recommandés.

Ne jamais enlever les copeaux ni les éclats lorsque la machine est en marche.

Il est absolument impératif d'utiliser le dispositif protecteur de la machine.

Les poussières qui sont dégagées pendant les travaux sont souvent nocives pour la santé et ne devraient pas pénétrer dans le corps. Porter un masque de protection approprié contre les poussières.

Ne pas utiliser de lames de scie fissurées ou déformées.

Le sciage en plongée n'est possible que dans des matériaux tendres (bois, matériaux de construction légers pour les murs).

Si les matériaux sont plus durs (métaux), une percée plus importante doit être faite au moyen de la lame.

Toujours appuyer l'étrier de guidage sur la pièce à travailler.

Lors du perçage dans les murs, les plafonds ou les planchers, toujours faire attention aux câbles électriques et aux conduites de gaz et d'eau.

Ne pas jeter les accus interchangeables usés au feu ou avec les déchets ménagers. Milwaukee offre un système d'évacuation écologique des accus usés.

Ne pas conserver les accus interchangeables avec des objets métalliques (risque de court-circuit)

Ne charger les accus interchangeables du système V-Tec qu'avec le chargeur d'accus du système V-Tec. Ne pas charger des accus d'autres systèmes.

Aucune pièce métallique ne doit pénétrer dans le logement d'accu du chargeur (risque de court-circuit)

Ne pas ouvrir les accus interchangeables et les chargeurs et ne les stocker que dans des locaux secs. Les protéger contre l'humidité.

En cas de conditions ou températures extrêmes, du liquide caustique peut s'échapper d'un accu interchangeable endommagé. En cas de contact avec le liquide caustique de la batterie, laver immédiatement avec de l'eau et du savon. En cas de contact avec les yeux, rincer soigneusement avec de l'eau et consulter immédiatement un médecin.

DECLARATION CE DE CONFORMITÉ

Nous déclarons sous notre seule responsabilité que le produit décrit sous « Caractéristiques techniques » concorde avec toutes les consignes pertinentes de la directive 2011/65 EU (RoHS), 2006/42/CE, 2004/108/CE et les documents normatifs harmonisés suivants :

EN 60745-1:2009 + A11:2010
EN 60745-2-11:2010
EN 55014-1:2006 + A1:2009 + A2:2011
EN 55014-2:1997 + A1:2001 + A2:2008

Winnenden, 2013-07-01



Alexander Krug
Managing Director



Autorisé à compiler la documentation technique.

Techtronic Industries GmbH
Max-Eyth-Straße 10
71364 Winnenden
Germany

UTILISATION CONFORME AUX PRESCRIPTIONS

La scie sabre permet de scier du bois, des matières synthétiques et des métaux. Elle permet des découpes rectilignes et curvilignes et des découpes intérieures. Elle permet de découper des tuyaux au ras des murs.

Comme déjà indiqué, cette machine n'est conçue que pour être utilisée conformément aux prescriptions.

FREIN ELECTRIQUE

Dès que le poussoir de l'interrupteur est relâché, la lame de scie est stoppée par le frein électrique en l'espace d'environ 2 secondes. Toutefois, le frein électrique peut aussi agir avec retardement. Le frein électrique n'est parfois pas efficace. Si le frein électrique est fréquemment sans effet, la scie doit être remise à un centre de service agréé Milwaukee. C'est seulement après l'immobilisation de la lame de scie que la scie doit être retirée de la pièce à œuvrer.

ACCUS

Les nouveaux accus interchangeables atteignent leur pleine capacité après 4-5 cycles de chargement et déchargement. Recharger les accus avant utilisation après une longue période de non utilisation.

Une température supérieure à 50°C amoindrit la capacité des accus. Éviter les expositions prolongées au soleil ou au chauffage.

Tenir propres les contacts des accus et des chargeurs.

Après l'usage, les accus doivent être chargés entièrement pour une durée de vie optimale.

Pour une plus longue durée de vie, enlever les batteries du chargeur de batterie quand celles-ci seront chargées.

En cas d'entreposage de la batterie pour plus de 30 jours: Entreposer la batterie à 27°C environ dans un endroit sec. Entreposer la batterie avec une charge d'environ 30% - 50%. Recharger la batterie tous les 6 mois.

PROTECTION DE L'ACCU CONTRE LES SURCHARGES

En cas de surcharge de l'accu suite à une consommation de courant très élevée, par exemple des couples extrêmement hauts, un coincement du foret, un arrêt soudain ou un court-circuit, l'outil électrique se met à bourdonner pendant 2 secondes et s'éteint automatiquement.

Pour le remettre en marche, il faut relâcher le poussoir de commutateur, puis l'enclencher à nouveau.

Il se peut que l'accu s'échauffe fortement s'il est soumis à des sollicitations extrêmes. Dans ce cas, il se déconnecte. Mettre alors l'accu en place dans le chargeur pour le recharger et l'activer.

ENTRETIEN

Tenir toujours propres les orifices de ventilation de la machine. Utiliser uniquement les accessoires Milwaukee et les pièces détachées Milwaukee. Faire remplacer les composants dont le remplacement n'a pas été décrit, par un des centres de service après-vente Milwaukee (observer la brochure avec les adresses de garantie et de service après-vente).

En cas de besoin il est possible de demander un dessin éclaté du dispositif en indiquant le modèle de la machine et le numéro de six chiffres imprimé sur la plaquette de puissance et en s'adressant au centre d'assistance technique ou directement à Techtronic Industries GmbH, Max-Eyth-Straße 10, 71364 Winnenden, Germany.

SYMBOLS

Veillez lire avec soin le mode d'emploi avant la mise en service



Avant tous travaux sur la machine retirer l'accu interchangeable.



Accessoires - Ces pièces ne font pas partie de la livraison. Il s'agit là de compléments recommandés pour votre machine et énumérés dans le catalogue des accessoires.



Ne pas jeter les appareils électriques dans les ordures ménagères ! Conformément à la directive européenne 2002/96/EG relative aux déchets d'équipements électriques ou électroniques (DEEE), et à sa transposition dans la législation nationale, les appareils électriques doivent être collectés à part et être soumis à un recyclage respectueux de l'environnement.

DATI TECNICI **Sega dritta a batteria** **M18 CSX**

| | |
|--|--------------------------|
| Numero di serie | 4460 71 01 |
| | ...000001-999999 |
| Massima profondità di taglio nel: | |
| Legno tenero | 300 mm |
| Acciaio | 20 mm |
| Alluminio | 25 mm |
| Metallo non ferroso | 25 mm |
| Tubi metallici | 150 mm |
| Numero di corse a vuoto | 0-3000 min ⁻¹ |
| Altezza corsa | 28,6 mm |
| Tensione batteria | 18 V |
| Peso secondo la procedura EPTA 01/2003 | 4,1 kg |

Informazioni sulla rumorosità/sulle vibrazioni

Valori misurati conformemente alla norma EN 60 745.

La misurazione A della pressione del livello sonoro di un utensile di solito deve essere

| | |
|--|-------------|
| Livello di rumorosità (K=3 dB(A)) | 84,9 dB (A) |
| Potenza della rumorosità (K=3 dB(A)) | 95,9 dB (A) |

Utilizzare le protezioni per l'udito!

Valori totali delle oscillazioni (somma di vettori in tre direzioni) misurati conformemente alla norma EN 60745

Valore di emissione dell'oscillazione a_n

| | |
|--|-----------------------|
| Taglio di travi di legno | 16,7 m/s ² |
| Incertezza della misura K | 1,5 m/s ² |
| Segatura di nel legno ricostituito | 22,3 m/s ² |
| Incertezza della misura K | 3,0 m/s ² |

AVVERTENZA

Il livello di vibrazioni indicato nelle presenti istruzioni è stato misurato in conformità con un procedimento di misurazione codificato nella EN 60745 e può essere utilizzato per un confronto tra attrezzi elettrici. Inoltre si può anche utilizzare per una valutazione preliminare della sollecitazione da vibrazioni.

Il livello di vibrazioni indicato rappresenta le applicazioni principali dell'attrezzo elettrico. Se viceversa si utilizza l'attrezzo elettrico per altri scopi, con accessori differenti o con una manutenzione insufficiente, il livello di vibrazioni può risultare diverso. E questo può aumentare decisamente la sollecitazione da vibrazioni lungo l'intero periodo di lavorazione.

Ai fini di una valutazione precisa della sollecitazione da vibrazioni si dovrebbero tenere presente anche i periodi in cui l'apparecchio rimane spento oppure, anche se acceso, non viene effettivamente utilizzato. Ciò può ridurre notevolmente la sollecitazione da vibrazioni lungo l'intero periodo di lavorazione.

Stabilite misure di sicurezza supplementari per la tutela dell'operatore dall'effetto delle vibrazioni, come ad esempio: manutenzione dell'attrezzo elettrico e degli accessori, riscaldamento delle mani, organizzazione dei processi di lavoro.

⚠ AVVERTENZA! Leggere tutte le istruzioni ed indicazioni di sicurezza. In caso di mancato rispetto delle avvertenze di pericolo e delle istruzioni operative si potrà creare il pericolo di scosse elettriche, incendi e/o incidenti gravi.
Conservare tutte le avvertenze di pericolo e le istruzioni operative per ogni esigenza futura.

NORME DI SICUREZZA

Indossare protezioni acustiche adeguate. L'esposizione prolungata al rumore senza protezione può causare danni all'udito.

Impugnare l'apparecchio sulle superfici di tenuta isolate mentre si eseguono lavori durante i quali l'utensile da taglio potrebbe entrare in contatto con cavi di corrente. L'eventuale contatto dell'utensile da taglio con un cavo sotto tensione potrebbe mettere sotto tensione le parti metalliche dell'apparecchio e provocare una folgorazione.

Durante l'uso dell'apparecchio utilizzare sempre gli occhiali di protezione. Inoltre si consiglia di usare sistemi di protezione per la respirazione e per l'udito, oltre ai guanti di protezione.

Non rimuovere trucioli o schegge mentre l'utensile è in funzione.

Usare sempre il dispositivo di protezione dell'apparecchio.

La polvere che si produce durante il lavoro è spesso dannosa per la salute e non dovrebbe essere aspirata. Portare un'adeguata mascherina protettiva.

Non devono essere utilizzate nè lame incrinata nè lame la cui forma abbia subito alterazioni.

E' possibile effettuare tagli ad immersione solo nei materiali dolci (legno, materiali per costruzione leggera) per i materiali

DICHIARAZIONE DI CONFORMITÀ CE

Dichiaro sotto la nostra esclusiva responsabilità che il prodotto descritto ai „Dati tecnici“ corrisponde a tutte le disposizioni delle direttive 2011/65/EU (RoHS), 2006/42/CE, 2004/108/CE e successivi documenti normativi armonizzati:

EN 60745-1:2009 + A11:2010
EN 60745-2-11:2010
EN 55014-1:2006 + A1:2009 + A2:2011
EN 55014-2:1997 + A1:2001 + A2:2008

Winnenden, 2013-07-01


Alexander Krug
Managing Director

Autorizzato alla preparazione della documentazione tecnica
Techtronic Industries GmbH
Max-Eyth-Straße 10
71364 Winnenden
Germany

UTILIZZO CONFORME

Questo sega dritta può essere utilizzato per lavorare legno, materiale sintetico e acciaio: per effettuare tagli diritti e obliqui, curve e per tagli all'interno del materiale.

Utilizzare il prodotto solo per l'uso per cui è previsto.

FRENO ELETTRICO

Se viene rilasciato l'interruttore a pressione, la lama verrà arrestata dal freno elettrico entro circa 2 secondi. E' comunque anche possibile che il freno elettrico agisca con ritardo. In alcuni casi il freno elettrico potrebbe non intervenire. Se il freno elettrico dovesse non funzionare con una certa frequenza, la sega dovrà essere portata in un centro di assistenza Milwaukee autorizzato.

Estrarre la sega dal pezzo da lavorare soltanto dopo l'arresto della lama.

BATTERIE

Le batterie nuove raggiungono la loro piena capacità dopo 4-5 cicli di carica e scarica. Batterie non utilizzate per molto tempo devono essere ricaricate prima dell'uso.

A temperature superiori ai 50°C, la potenza della batteria si riduce.

Evitare di esporre l'accumulatore a surriscaldamento prolungato, dovuto ad esempio ai raggi del sole o ad un impianto di riscaldamento.

Per una durata di vita ottimale, dopo l'uso le batterie devono essere completamente ricaricate.

Per una più lunga durata, rimuovere le batterie dal caricabatterie quando saranno cariche.

In caso di immagazzinaggio della batteria per più di 30 giorni: Immagazzinare la batteria a circa 27°C in ambiente asciutto. Immagazzinare la batteria con carica di circa il 30% - 50%. Ricaricare la batteria ogni 6 mesi.

DISPOSITIVO ANTISOVRACCARICO ACCUMULATORE

In caso di sovraccarico dell'accumulatore dovuto a consumo molto elevato di corrente, ad es. coppie di serraggio estremamente elevate, bloccaggio della punta, arresto improvviso o cortocircuito, l'elettrotensile romba per 2 secondi e poi si spegne automaticamente.

Per riaccenderlo, rilasciare l'interruttore e poi riaccenderlo.

Se sottoposto a carichi estremi, l'accumulatore può surriscaldarsi. In questo caso l'accumulatore si spegne. Inserire l'accumulatore nell'apparecchio carica-batterie per ricaricarlo e attivarlo.

MANUTENZIONE

Tener sempre ben pulite le fessure di ventilazione dell'apparecchio.

Usare solo accessori Milwaukee e pezzi di ricambio Milwaukee. Gruppi costruttivi la cui sostituzione non è stata descritta, devono essere fatti cambiare da un punto di servizio di assistenza tecnica al cliente Milwaukee (vedi depliant garanzia/ indirizzi assistenza tecnica ai clienti).

In caso di necessità è possibile richiedere un disegno esploso del dispositivo indicando il modello della macchina ed il numero a sei cifre sulla targa di potenza rivolgendosi al centro di assistenza tecnica o direttamente a Techtronic Industries GmbH, Max-Eyth-Straße 10, 71364 Winnenden, Germany.

SIMBOLI

Leggere attentamente le istruzioni per l'uso prima di mettere in funzione l'elettrotensile.



Prima di iniziare togliere la batteria dalla macchina.



Accessorio - Non incluso nella dotazione standard, disponibile a parte come accessorio.



Non gettare le apparecchiature elettriche tra i rifiuti domestici. Secondo la Direttiva Europea 2002/96/CE sui rifiuti di apparecchiature elettriche ed elettroniche e la sua attuazione in conformità alle norme nazionali, le apparecchiature elettriche esauste devono essere accolte separatamente, al fine di essere reimpiegate in modo eco-compatibile.

| DATOS TÉCNICOS | | Sierra de Sable a Batería | M18 CSX |
|---|--------------------------|---------------------------|---------|
| Número de producción | 4460 71 01 | ...000001-999999 | |
| Profundidad de corte máx. en: | | | |
| Madera blanda | 300 mm | | |
| Acero | 20 mm | | |
| Aluminio | 25 mm | | |
| Metal no férrico | 25 mm | | |
| Tubos metálicos | 150 mm | | |
| Nº de carreras en vacío | 0-3000 min ⁻¹ | | |
| Carrera | 28,6 mm | | |
| Voltaje de batería | 18 V | | |
| Peso de acuerdo con el procedimiento EPTA 01/2003 | 4,1 kg | | |

Información sobre ruidos / vibraciones

Determinación de los valores de medición según norma EN 60 745.

La presión acústica se eleva normalmente

Presión acústica (K=3 dB(A))..... 84,9 dB (A)

Resonancia acústica (K=3 dB(A))..... 95,9 dB (A)

Usar protectores auditivos!

Nivel total de vibraciones (suma vectorial de tres direcciones) determinado según EN 60745.

Valor de vibraciones generadas a_n Corte de vigas de madera 16,7 m/s²

Tolerancia K..... 1,5 m/s²

Aserrado de cartón..... 22,3 m/s²

Tolerancia K..... 3,0 m/s²

ADVERTENCIA

El nivel vibratorio indicado en estas instrucciones ha sido medido conforme a un método de medición estandarizado en la norma EN 60745, y puede utilizarse para la comparación entre herramientas eléctricas. También es apropiado para una estimación provisional de la carga de vibración.

El nivel vibratorio indicado representa las aplicaciones principales de la herramienta eléctrica. Si, pese a ello, se utiliza la herramienta eléctrica para otras aplicaciones, con útiles adaptables diferentes o con un mantenimiento insuficiente, el nivel vibratorio puede diferir. Esto puede incrementar sensiblemente la carga de vibración durante todo el periodo de trabajo.

Para una estimación exacta de la carga de vibración deberían tenerse en cuenta también los tiempos durante los que el aparato está apagado o, pese a estar en funcionamiento, no está siendo realmente utilizado. Esto puede reducir sustancialmente la carga de vibración durante todo el periodo de trabajo.

Adopte medidas de seguridad adicionales para la protección del operador frente al efecto de las vibraciones, como por ejemplo: mantenimiento de la herramienta eléctrica y de los útiles adaptables, mantener las manos calientes, organización de los procesos de trabajo.

⚠ ATENCIÓN: Lea atentamente las indicaciones e instrucciones de seguridad. En caso de no atenderse a las advertencias de peligro e instrucciones siguientes, ello puede ocasionar una descarga eléctrica, un incendio y/o lesión grave. **Guardar todas las advertencias de peligro e instrucciones para futuras consultas.**

INSTRUCCIONES DE SEGURIDAD

¡Utilice protección auditiva! La exposición a niveles de ruido excesivos puede causar pérdida de audición

Sujete el aparato de las superficies aisladas de agarre al efectuar trabajos en los cuales la perforadora de percusión pueda entrar en contacto con conductores de corriente ocultos. El contacto con conductores portadores de tensión puede hacer que las partes metálicas del aparato le provoquen una descarga eléctrica.

Para trabajar con la máquina, utilizar siempre gafas de protección, guantes, calzado de seguridad antideslizante, así como es recomendable usar protectores auditivos.

Nunca se debe intentar limpiar el polvo o viruta procedente del taladrado con la máquina en funcionamiento.

Usar siempre las piezas de protección de la máquina.

El polvo que se produce durante estos trabajos puede ser nocivo a la salud; es por ello aconsejable que no penetre al cuerpo. Utilice por ello una máscara protectora contra polvo.

No usar seguetas rajadas o torcidas.

En materiales blandos (madera, materiales ligeros de construcción para paredes) es posible hacer cortes verticales sin taladrar primero un agujero. En materiales duros (metales) primero se debe taladrar un agujero de acuerdo con el tamaño de la següeta.

DECLARACION DE CONFORMIDAD CE

Declaramos bajo nuestra responsabilidad que el producto descrito bajo "Datos técnicos" está en conformidad con todas las normas relevantes de la directiva 2011/65/EU (RoHS), 2006/42/CE, 2004/108/CE y con las siguientes normas o documentos normalizados:

EN 60745-1:2009 + A11:2010

EN 60745-2-11:2010

EN 55014-1:2006 + A1:2009 + A2:2011

EN 55014-2:1997 + A1:2001 + A2:2008

Winnenden, 2013-07-01

Alexander Krug

Alexander Krug
Managing Director



Autorizado para la redacción de los documentos técnicos.

Techtronic Industries GmbH

Max-Eyth-Straße 10

71364 Winnenden

Germany

APLICACIÓN DE ACUERDO A LA FINALIDAD

Esta sierra de sable puede cortar madera, plástico y metal; puede cortar líneas rectas, curvas y efectuar cortes internos.

No utilice este producto para ninguna otra aplicación que no sea su uso normal.

FRENO ELECTRICO

Al soltar el gatillo, el freno eléctrico frena la hoja de la sierra dentro de aprox. 2 segundos. Sin embargo, el freno eléctrico puede actuar también de forma más retardada. De vez en cuando, el freno eléctrico no produce efecto. En caso de que el freno eléctrico no surta efecto de forma más frecuente, deberá llevarse la sierra a un servicio de postventa autorizado por Milwaukee.

Extraer la sierra de la pieza de trabajo únicamente en el momento de paro de la hoja de la sierra.

BATERIA

Las baterías nuevas alcanzan su plena capacidad de carga después de 4 - 5 cargas y descargas. Las baterías no utilizadas durante cierto tiempo deben ser recargadas antes de usar.

Las temperaturas superiores a 50°C reducen el rendimiento de la batería. Evite una exposición excesiva a fuentes de calor o al sol (riesgo de sobrecalentamiento).

Los puntos de contacto de los cargadores y las baterías se deben mantener limpios.

Para un tiempo de vida óptimo, deberán cargarse completamente las baterías después de su uso.

Para garantizar la máxima capacidad y vida útil, las baterías recargables se deberían retirar del cargador una vez finalizada la carga.

En caso de almacenar la batería recargable más de 30 días:

Almacenar la batería recargable en un lugar seco a una temperatura de aproximadamente 27°C.

Almacenar la batería recargable con un estado de carga del 30% y 50% aproximadamente.

Recargar la batería cada 6 meses.

PROTECCIÓN CONTRA SOBRECARGA DE LA BATERÍA

El paquete del acumulador está dotado de un dispositivo de protección contra la sobrecarga que asegura una prolongada vida útil.

En caso de esfuerzo extremadamente intenso, la electrónica del acumulador desconecta automáticamente la máquina. Para continuar trabajando, desconectar y conectar de nuevo la máquina. Si la máquina no se pone nuevamente en marcha, es posible que se haya descargado el acumulador por lo que deberá recargarse en el cargador.

MANTENIMIENTO

Las ranuras de ventilación de la máquina deben estar despejadas en todo momento.

Utilice solamente accesorios y repuestos Milwaukee. En caso de necesitar reemplazar componentes no descritos, contacte con cualquiera de nuestras estaciones de servicio Milwaukee (consultar lista de servicio técnicos)

Puede solicitar, en caso necesario, una vista despiezada del aparato bajo indicación del tipo de máquina y el número de seis dígitos en la placa indicadora de potencia en su Servicio de Postventa o directamente en Techtronic Industries GmbH, Max-Eyth-Straße 10, 71364 Winnenden, Germany.

SÍMBOLOS



Lea las instrucciones detenidamente antes de conectar la herramienta



Retire la batería antes de comenzar cualquier trabajo en la máquina.



Accesorio - No incluido en el equipo estándar, disponible en la gama de accesorios.



¡No deseche los aparatos eléctricos junto con los residuos domésticos! De conformidad con la Directiva Europea 2002/96/CE sobre residuos de aparatos eléctricos y electrónicos y su aplicación de acuerdo con la legislación nacional, las herramientas eléctricas cuya vida útil haya llegado a su fin se deberán recoger por separado y trasladar a una planta de reciclaje que cumpla con las exigencias ecológicas.

CARACTERÍSTICAS TÉCNICAS

Serra de Sabre a Bateria

M18 CSX

| | |
|---|--------------------------------|
| Número de produção..... | 4460 71 01 ...000001-999999 |
| Profundidade de corte máx. em | |
| Madeira macia..... | 300 mm |
| Aço..... | 20 mm |
| Alumínio..... | 25 mm |
| Material não ferroso..... | 25 mm |
| Tubos metálicos..... | 150 mm |
| Nº. de cursos em vazio..... | 0-3000 min ⁻¹ |
| Curso..... | 28,6 mm |
| Tensão do acumulador..... | 18 V |
| Peso nos termos do procedimento-EPTA 01/2003..... | 4,1 kg |

Informações sobre ruído/vibração

Valores de medida de acordo com EN 60 745.

Normalmente o nível de pressão de ruído da ferramenta é

| | |
|---|-------------|
| Nível da pressão de ruído (K = 3 dB(A))..... | 84,9 dB (A) |
| Nível da potência de ruído (K = 3 dB(A))..... | 95,9 dB (A) |

Use protectores auriculares!

Valores totais de vibração (soma dos vectores das três direcções) determinadas conforme EN 60745.

| | |
|---|-----------------------|
| Valor de emissão de vibração a _h | |
| Serrar vigas de madeira..... | 16,7 m/s ² |
| Incerteza K..... | 1,5 m/s ² |
| Serrar aparite..... | 22,3 m/s ² |
| Incerteza K..... | 3,0 m/s ² |

ATENÇÃO

O nível vibratório indicado nestas instruções foi medido em conformidade com um procedimento de medição normalizado na EN 60745 e pode ser utilizado para comparar entre si ferramentas eléctricas. O mesmo é também adequado para avaliar provisoriamente o esforço vibratório.

O nível vibratório indicado representa as principais aplicações da ferramenta eléctrica. Se, no entanto, a ferramenta eléctrica for utilizada para outras aplicações, com outras ferramentas adaptadas ou uma manutenção insuficiente, o nível vibratório poderá divergir. Isto pode aumentar consideravelmente o esforço vibratório ao longo de todo o período do trabalho.

Para uma avaliação exacta do esforço vibratório devem também ser considerados os tempos durante os quais o aparelho está desligado ou está a funcionar, mas não está efectivamente a ser utilizado. Isto pode reduzir consideravelmente o esforço vibratório ao longo de todo o período do trabalho.

Defina medidas de segurança suplementares para proteger o operador do efeito das vibrações, como por exemplo: manutenção da ferramenta eléctrica e das ferramentas adaptadas, manter as mãos quentes, organização das sequências de trabalho.

⚠ ADVERTÊNCIA! Leia todas as instruções de segurança e todas as instruções. O desrespeito das advertências e instruções apresentadas abaixo pode causar choque eléctrico, incêndio e/ou graves lesões.
Guarde bem todas as advertências e instruções para futura referência.

INSTRUÇÕES DE SEGURANÇA

Sempre use a protecção dos ouvidos. A influência de ruídos pode causar surdez.

Segure o aparelho nas superfícies de punho isoladas se estiver a executar trabalhos, nos quais a ferramenta de corte pode tocar em linhas eléctricas escondidas. O contacto com um cabo com tensão também pode causar choque eléctrico.

Usar sempre óculos de protecção ao trabalhar com a máquina. Recomenda-se a utilização de luvas de protecção, protectores para os ouvidos e máscara anti-poeiras.

Não remover aparas ou lascas enquanto a máquina trabalha.

Nunca utilizar a máquina sem dispositivo de protecção.

O pó que resulta ao trabalhar pode ser nocivo para a saúde, por isso não devendo penetrar no corpo. Use uma máscara de protecção contra pó apropriada.

Não utilizar lâminas de corte fissuradas ou deformadas.

Cortes envaziados só são possíveis em materiais não muito consistentes (madeira, aglomerados ligeiros para paredes). Em materiais mais duros (metais) é necessário efectuar uma furação na qual caiba a lâmina de corte.

Coloque sempre a guia na peça de trabalho quando estiver a serrar.

Ao trabalhar em paredes, tectos e soalhos prestar atenção a que não sejam atingidos cabos eléctricos e canalizações de gás e água.

Não queimar acumuladores gastos nem deitá-los no lixo doméstico. A Milwaukee possui uma eliminação de acumuladores gastos que respeita o meio ambiente.

Não guardar acumuladores junto com objectos metálicos (perigo de curto-circuito).

Use apenas carregadores do Sistema V-Tec para recarregar os acumuladores do Sistema V-Tec. Não utilize acumuladores de outros sistemas.

Não abrir acumuladores e carregadores. Armazená-los em recipientes secos. Protegê-los contra humidade.

Carregadores só devem ser utilizados em recipientes secos.

Em caso de cargas ou temperaturas extremas, um acumulador de substituição danificado poderá verter líquido de bateria. Se entrar em contacto com este líquido, deverá lavar-se imediatamente com água e sabão. Em caso de contacto com os olhos, enxagúe-os bem e de imediato durante pelo menos 10 minutos e consulte um médico o mais depressa possível.

DECLARAÇÃO DE CONFORMIDADE CE

Declaramos sob responsabilidade exclusiva, que o produto descrito sob "Dados técnicos" corresponde com todas as disposições relevantes da diretiva 2011/65/EU (RoHS), 2006/42/CE, 2004/108/CE e dos seguintes documentos normativos harmonizados.

EN 60745-1:2009 + A11:2010

EN 60745-2-11:2010

EN 55014-1:2006 + A1:2009 + A2:2011

EN 55014-2:1997 + A1:2001 + A2:2008

Winnenden, 2013-07-01


Alexander Krug
Managing Director

Autorizado a reunir a documentação técnica.

Techtronic Industries GmbH
Max-Eyth-Straße 10
71364 Winnenden
Germany

UTILIZAÇÃO AUTORIZADA

Esta serra de sabre corta madeira, plástico e metal. Cortes curvos e à face do material.

Não use este produto de outra maneira sem ser a normal para o qual foi concebido.

TRAVÃO ELÉCTRICO

Quando se solta o interruptor, o travão electrónico parará a lâmina de serra dentro de aproximadamente 2 segundos. Contudo, este intervalo pode ser maior devido a uma reacção atrasada do travão electrónico. Ocasionalmente pode acontecer que o travão não pára a lâmina. Se isto acontecer frequentemente, deve levar a serra a um centro de serviços autorizado pela Milwaukee.

Não tire a serra da peça a trabalhar, enquanto a lâmina não ter parado.

ACUMULADOR

Acumuladores novos atingem a sua plena capacidade após 4-5 ciclos de carga e descarga. Acumuladores não utilizados durante algum tempo devem ser recarregados antes da sua utilização.

Temperaturas acima de 50°C reduzem a capacidade do bloco acumulador. Evitar exposição prolongada ao sol ou a caloríferos.

Manter limpos os contactos eléctricos no carregador e no bloco acumulador.

Para uma vida útil óptima dos acumuladores, terá que carregá-los plenamente após a sua utilização.

Para assegurar uma vida útil longa, o pacote de bateria deve ser removido da carregadora depois do carregamento.

Se o pacote de bateria for armazenado por mais de 30 dias: Armazene o pacote de bateria com aprox. 27°C em um lugar seco.

Armazene o pacote de bateria com aprox. 30%-50% da carga completa.

Carregue o pacote de bateria novamente de 6 em 6 meses.

PROTECÇÃO DE SOBRECARGA DE BATERIA

No caso de sobrecarga da bateria devido a um consumo de corrente demasiado elevado, por exemplo um binário de rotação extremamente elevado, um bloqueio da broca, uma paragem repentina ou um curto-circuito, a ferramenta eléctrica vibra durante 2 segundos e desliga-se automaticamente.

Para a ligar novamente, desligar e voltar a ligar o interruptor. Sob condições extremas, a bateria pode aquecer demasiado. Neste caso a bateria desliga-se.

Voltar então a colocar o acumulador no carregador para o carregar de novo e para assim o activar.

MANUTENÇÃO

Manter desobstruídos os rasgos de ventilação na carcaça da máquina.

Utilizar apenas acessórios Milwaukee e peças sobresselentes Milwaukee. Os componentes cuja substituição não esteja descrita devem ser substituídos num serviço de assistência técnica Milwaukee (consultar a brochura relativa à garantia/moradas dos serviços de assistência técnica).

Se for necessário, um desenho de explosão do aparelho pode ser solicitado do seu posto de assistência ao cliente ou directamente da Techtronic Industries GmbH, Max-Eyth-Straße 10, 71364 Winnenden, Alemanha, indicando o tipo da máquina e o número de seis posições na chapa indicadora da potência.

SYMBOLS

Leia atentamente o manual de instruções antes de colocar a máquina em funcionamento.



Antes de efectuar qualquer intervenção na máquina retirar o bloco acumulador.



Acessório - Não incluído no equipamento normal, disponível como acessório.



Não deite ferramentas eléctricas no lixo doméstico! De acordo com a directiva europeia 2002/96/CE sobre ferramentas eléctricas e electrónicas usadas e a transposição para as leis nacionais, as ferramentas eléctricas usadas devem ser recolhidas em separado e encaminhadas a uma instalação de reciclagem dos materiais ecológica.

TECHNISCHE GEGEVENS**Accu-reciprozaagmachine****M18 CSX**

| | |
|---|--------------------------|
| Productienummer | 4460 71 01 |
| | ...00001-999999 |
| Max. schroefdiepte in: | |
| Zacht hout | 300 mm |
| Staal | 20 mm |
| Aluminium | 25 mm |
| Non-ferro metaal | 25 mm |
| Metaalpijp | 150 mm |
| Onbelast toerental | 0-3000 min ⁻¹ |
| Slaglengte | 28,6 mm |
| Spanning wisselakku | 18 V |
| Gewicht volgens de EPTA-procedure 01/2003 | 4,1 kg |

Geluids-/trillingsinformatie

Meetwaarden vastgesteld volgens EN 60 745.

Het kenmerkende A-gewaardeerde geluidsdrukniveau van de machine bedraagt

| | |
|--|-------------|
| Geluidsdrukniveau (K=3 dB(A)) | 84,9 dB (A) |
| Geluidsvermogeniveau (K=3 dB(A)) | 95,9 dB (A) |

Draag oorbeschermers!

Totale trillingswaarden (vectorsom van drie richtingen) bepaald volgens EN 60745.

| | |
|---------------------------------------|-----------------------|
| Trillingsemissiewaarde a _w | |
| Zagen van houten balken | 16,7 m/s ² |
| Onzekerheid K | 1,5 m/s ² |
| Zagen van spaanplaat | 22,3 m/s ² |
| Onzekerheid K | 3,0 m/s ² |

WAARSCHUWING

De in deze aanwijzingen vermelde trillingsdruk is gemeten volgens een in EN 60745 genormeerde meetmethode en kan worden gebruikt voor de onderlinge vergelijking van apparaten. Hij is ook geschikt voor een voorlopige inschatting van de trillingsbelasting.

De aangegeven trillingsdruk geldt voor de meest gebruikelijke toepassingen van het elektrische apparaat. Wanneer het elektrische gereedschap echter voor andere doeleinden, met andere dan de voorgeschreven hulpstukken gebruikt of niet naar behoren onderhouden wordt, kan de trillingsdruk afwijken. Dit kan de waarde van de trillingsdruk over de hele werkperiode aanzienlijk verhogen.

Voor een nauwkeurige inschatting van de trillingsdruk moeten ook de tijden in aanmerking worden genomen dat het apparaat uitgeschakeld is of weliswaar loopt, maar niet werkelijk in gebruik is. Dit kan de waarde van de trillingsdruk over de hele werkperiode aanzienlijk verminderen.

Bepaal extra veiligheidsmaatregelen ter bescherming van de bediener tegen de inwerking van trillingen, bijvoorbeeld: onderhoud van elektrische gereedschappen en apparaten, warmhouden van de handen, organisatie van de werkprocessen.

⚠ WAARSCHUWING! Lees alle veiligheidsinstructies en aanwijzingen. Als de waarschuwingen en voorschriften niet worden opgevolgd, kan dit een elektrische schok, brand of ernstig letsel tot gevolg hebben.

Bewaar alle waarschuwingen en voorschriften voor toekomstig gebruik.

VEILIGHEIDSADVIEZEN

Draag oorbeschermers. Blootstelling aan geluid kan het gehoor beschadigen.

Houd het apparaat alléén aan de geïsoleerde grijpvlakken vast, wanneer u werkzaamheden uitvoert waarbij het snijgereedschap verborgen stroomleidingen zou kunnen raken. Het contact met een onder spanning staande leiding zet ook de metalen machinedelen onder spanning en leidt tot een elektrische schok.

Bij het werken met de machine altijd een veiligheidsbril dragen. Werkhandschoenen en stofkapje voor de mond worden aanbevolen.

Spanen of splinters mogen bij draaiende machine niet worden verwijderd.

Bescherminrichting van de machine beslist gebruiken.

Het gedurende het werken vrijkomende stof is doorgaans schadelijk

voor de gezondheid en mag niet met het lichaam in aanraking komen. Draag derhalve een geschikt stofbeschermsmasker.

Gescheurde zaagbladen of welke van vorm veranderd zijn, mogen niet gebruikt worden.

Insteekzagen is alleen in zachte materialen (hout, lichte bouwstoffen voor wanden) mogelijk. Bij hardere materialen

(metalen) moet een boring overeenkomstig de grootte van het zaagblad aangebracht worden.

Geleidebeugel bij het zagen altijd tegen het werkstuk leggen.

Bij het werken in wanden, plafonds of vloeren oppassen voor elektriciteitsdraden, gas- of waterleidingen.

Verbruikte akku's niet in het vuur of bij het huisvuil werpen.

Milwaukee biedt namelijk een milieuvriendelijke recyclingmethode voor uw oude akku's.

Wisselakku's niet bij metalen voorwerpen bewaren (kortsluitingsgevaar!) .

Wisselakku's van het Akku-Systeem V-Tec alléén met laadapparaten van het Akku-Systeem V-Tec laden. Geen akku's van andere systemen laden.

In de wisselakku-opnameschacht van het laadapparaat mogen géén metaaldeeltjes komen (kortsluitingsgevaar!) .

Wisselakku's en laadapparaten niet openen en alleen in droge ruimtes opslaan. Tegen vocht beschermen.

Onder extreme belasting of extreme temperaturen kan uit de accu accu-vloeistof lopen. Na contact met accu-vloeistof direct afwassen met water en zeep. Bij oogcontact direct minstens 10 minuten grondig spoelen en onmiddellijk een arts raadplegen.

EC - VERKLARING VAN OVEREENSTEMMING

Wij verklaren in uitsluitende verantwoording dat het onder 'Technische gegevens' beschreven product overeenstemt met alle relevante voorschriften van de richtlijn 2011/65/EU (RoHS), 2006/42/EG, 2004/108/EG en de volgende geharmoniseerde normatieve documenten:

EN 60745-1:2009 + A11:2010
EN 60745-2-11:2010
EN 55014-1:2006 + A1:2009 + A2:2011
EN 55014-2:1997 + A1:2001 + A2:2008

Winnenden, 2013-07-01



Alexander Krug
Managing Director



Gemachtigd voor samenstelling van de technische documenten

Techtronic Industries GmbH

Max-Eyth-Straße 10

71364 Winnenden

Germany

VOORGESCHREVEN GEBRUIK VAN HET SYSTEEM

De reciprozaag zaagt hout, kunststof en metaal. Zagen van bochten, insteekzagen, en recht afzagen is mogelijk.

Dit apparaat uitsluitend gebruiken voor normaal gebruik, zoals aangegeven.

ELEKTRISCHE REM

Als u de drukschakelaar loslaat, wordt het zaagblad binnen twee seconden gestopt door de elektrische rem. De elektrische rem kan echter ook vertraagd werken. Af en toe werkt de elektrische rem niet. Als de elektrisch rem vaker niet functioneert, moet de zaag naar een geautoriseerd Milwaukee servicepunt worden gebracht.

Trek de zaag pas na stilstand van het zaagblad uit het werkstuk.

AKKU

Nieuwe wisselakku's bereiken hun volle capaciteit na 4-5 laad-/ontlaadcycli. Langere tijd niet toegepaste wisselakku's vóór gebruik altijd naladen.

Een temperatuur boven de 50°C vermindert de capaciteit van de accu. Langdurige verwarming door zon of hitte vermijden.

De aansluitcontacten aan het laadapparaat en de accu schoonhouden.

Voor een optimale levensduur moeten de accu's na het gebruik volledig opgeladen worden.

Voor een zo lang mogelijke levensduur van de accu's dienen deze na het opladen uit het laadtoestel te worden verwijderd.

Bij een langere opslag van de accu dan 30 dagen:

accu bij ca. 27 °C droog bewaren.

accu bij ca. 30 % - 50 % van de laadtoestand bewaren.

accu om de 6 maanden opnieuw opladen.

OVERBELASTINGSBEVEILIGING VAN DE ACCU

Bij overbelasting van de accu door een zeer hoog stroomverbruik, bijv. extreem hoge draaimomenten, klemmen van de boor, plotseling stoppen of kortsluiting, vibreert het elektrische gereedschap gedurende 2 seconden en schakelt dan automatisch uit.

Om het gereedschap weer in te schakelen, moet u de drukschakelaar loslaten en vervolgens weer inschakelen. Onder extreme belastingen wordt de accu te heet. In dit geval schakelt hij uit.

Steek de accu in het laadtoestel om hem weer op te laden en te activeren.

ONDERHOUD

Altijd de luchtspleten van de machine schoonhouden.

Gebruik uitsluitend Milwaukee toebehoren en onderdelen. Indien componenten die moeten worden vervangen niet zijn beschreven, neem dan contact op met een officieel Milwaukee servicecentrum (zie onze lijst met servicecentra).

Zo nodig kan een explosietekening van het apparaat worden aangevraagd bij uw klantenservice of direct bij Techtronic Industries GmbH, Max-Eyth-Straße 10, 71364 Winnenden, Duitsland onder vermelding van het machinetype en het zescijferige nummer op het typeplaatje.

SYMBOLEN

Graag instructies zorgvuldig doorlezen vóórdat u de machine in gebruik neemt.



Voor alle werkzaamheden aan de machine de accu verwijderen.



Toebehoren - Wordt niet meegeleverd. Is apart leverbaar. Zie hiervoor het toebehorenprogramma.



Geef elektrisch gereedschap niet met het huisvuil mee! Volgens de Europese richtlijn 2002/96/EG inzake oude elektrische en elektronische apparaten en de toepassing daarvan binnen de nationale wetgeving, dient gebruikt elektrisch gereedschap gescheiden te worden ingezameld en te worden afgevoerd naar een recycle bedrijf dat voldoet aan de geldende milieueisen.

| TEKNISKE DATA | Akku bajonetsav | M18 CSX |
|--|--------------------------|-----------------|
| Produktionsnummer | 4460 71 01 | ..000001-999999 |
| Skæredybde max. i: | | |
| Træ | 300 mm | |
| Stål | 20 mm | |
| Aluminium | 25 mm | |
| Uædle metaller | 25 mm | |
| Metalrør | 150 mm | |
| Slagantal, ubelastet | 0-3000 min ⁻¹ | |
| Løftehøjde | 28,6 mm | |
| Udskiftningsbatteriets spænding | 18 V | |
| Vægt svarer til EPTA-procedure 01/2003 | 4,1 kg | |

Støj/Vibrationsinformation

Måleværdier beregnes iht. EN 60 745.

Værktøjets A-vægtede lydtrykniveau er typisk

| | |
|--------------------------------------|-------------|
| Lydtrykniveau (K = 3 dB(A)) | 84,9 dB (A) |
| Lydeffekt niveau (K = 3 dB(A)) | 95,9 dB (A) |

Brug høreværn!

Samlede vibrationsværdier (værdisum for tre retninger) beregnet iht. EN 60745.

| | |
|--------------------------------------|-----------------------|
| Vibrationseksponering a _h | |
| Savning af træbjælker | 16,7 m/s ² |
| Usikkerhed K | 1,5 m/s ² |
| Savning af spånplader | 22,3 m/s ² |
| Usikkerhed K | 3,0 m/s ² |

ADVARSEL

Svingningsniveauet, som er angivet i disse anvisninger, er målt i henhold til standardiseret måleprocedure ifølge EN 60745 og kan anvendes til indbyrdes sammenligning mellem el-værktøjer. Svingningsniveauet er ligeledes egnet som foreløbigt skøn over svingningsbelastningen.

Det angivne svingningsniveau er baseret på el-værktøjets primære anvendelsesformål. Hvis el-værktøjet benyttes til andre formål, med andet indsatsværktøj eller ikke vedligeholdes tilstrækkeligt, kan svingningsniveauet afvige. Dette kan øge svingningsbelastningen over den samlede arbejdsperiode betydeligt.

For en nøjagtig vurdering af svingningsbelastningen skal der også tages højde for de tidsperioder, hvor apparatet er slukket, eller hvor apparatet kører, men uden at være i anvendelse. Dette kan reducere svingningsbelastningen over den samlede arbejdsperiode betydeligt.

Supplerende sikkerhedsforanstaltninger til beskyttelse af brugeren mod påvirkninger fra svingninger skal iværksættes, f.eks.: Vedligeholdelse af el-værktøj og indsatsværktøj, varmholdelse af hænder, organisering af arbejdsprocesser.

⚠ ADVARSEL! Læs alle sikkerhedsinformationer og instruktioner. I tilfælde af manglende overholdelse af advarselshenvisningerne og instrukserne er der risiko for elektrisk stød, brand og/eller alvorlige kvæstelser.

Opbevar alle advarselshenvisninger og instrukser til senere brug.

SIKKERHEDSHENVISNINGER

Bær høreværn. Støjpåvirkning kan bevirke tab af hørelse.

Hold maskinen fast i de isolerede gribeblader, når du udfører arbejde, hvor der er risiko for, at skæreværktøjet kan ramme skjulte strømledninger. Ved kontakt med en strømførende ledning står metaldelene på maskinen også under spænding og giver et elektrisk stød.

Når der arbejdes med maskinen, skal man have beskyttelsesbriller på. Beskyttelseshandsker, skridsikre sko, høreværn og forklæde anbefales.

Spåner eller splinter må ikke fjernes, medens maskinen kører.

Maskinens sikkerhedsindretning bør ubetinget benyttes.

Støv, som opstår under arbejdet, er ofte sundhedsfarligt og bør ikke trænge ind i kroppen. Benyt egnet åndedrætsværn.

Ridsede savklinger eller sådanne, som har ændret form, må ikke bruges.

Dyksavning er kun muligt i blødere materialer (træ, lette bygningsmaterialer til vægge, ved hårdere materialer (metaller) skal der anbringes et hul, hvis størrelse svarer til savklingen.

Ved savning skal styrebøjlen altid lægges til arbejdsstykket.

Ved arbejdsboring i væg, loft eller gulv skal man passe på elektriske kabler, gas- og vandledninger.

Opbrugte udskiftningsbatterier må ikke brændes eller kasseres sammen med alm. husholdningsaffald. Milwaukee har en miljørigtig bortskaffelse af gamle udskiftningsbatterier, henvend Dem til Deres forhandler.

Opbevar ikke udskiftningsbatterier sammen med metalgenstande af fare for kortslutning.

Brug kun V-Tec ladeapparater for opladning af System V-Tec batterier.

Metaldele o.lign. må ikke komme i berøring med rummet beregnet for udskiftningsbatteriet (kortslutningsfare).

Udskiftningsbatterier og opladere må ikke åbnes og skal opbevares i tørre rum. Beskyt dem mod fugtighed.

I tilfælde af en ekstrem belastning eller ekstrem temperatur kan der flyde batterivæske ud af et beskadiget batteri. Hvis De kommer i berøring med batterivæsken, skal den vaskes godt og grundigt af med vand og sæbe. I tilfælde af øjenkontakt, skal man mindst skylle øjnene godt og grundigt igennem i 10 minutter og omgående opsøge en læge.

CE-KONFORMITETSERKLÆRING

Vi erklærer som eneansvarlig, at det under „Tekniske data“ beskrevne produkt stemmer overens med alle relevante forskrifter, der følger af direktiv 2011/65/EU (RoHS), 2006/42/EF, 2004/108/EF samt af følgende harmoniserede normative dokumenter:

EN 60745-1:2009 + A11:2010
EN 60745-2-11:2010
EN 55014-1:2006 + A1:2009 + A2:2011
EN 55014-2:1997 + A1:2001 + A2:2008

Winnenden, 2013-07-01

Alexander Krug

Alexander Krug
Managing Director



Autoriseret til at udarbejde de tekniske dokumenter.

Techtronic Industries GmbH
Max-Eyth-Straße 10
71364 Winnenden
Germany

TILTÆNKT FORMÅL

Bajonetsaven kan anvendes til træ, plast og metal. Bajonetsaven afskærer plant til overfladen, i kurver, indvendig udskæring og i rør.

Produktet må ikke anvendes på anden måde og til andre formål end foreskrevet.

ELEKTRISK BREMSE

Den elektriske bremse stopper savklingen i løbet af 2 sekunder, når man slipper kontakten. Den elektriske bremse kan dog også virke med forsinkelse. Af og til virker den elektriske bremse overhovedet ikke. Hvis den elektriske bremse hyppigt ikke virker, skal saven indsendes til et autoriseret Milwaukee serviceværksted.

Først når savklingen er standset helt, må saven trækkes ud af emnet.

BATTERI

Nye udskiftningsbatterier opnår deres fulde kapacitet efter 4-5 oplade- og afladecykler. Udskiftningsbatterier, der ikke har været brugt i længere tid, efterlades inden brug.

Ved temperaturer over 50°C formindskes batteriets effekt.

Undgå direkte sollys og stærk varme.

Tilslutningskontakterne på oplader og udskiftningsbatterier skal holdes rene.

For at opnå en optimal levetid skal de genopladelige batterier oplades fuldt efter brug.

For at sikre en så lang levetid som muligt skal batterierne tages ud af ladeaggregatet efter opladning.

Skal batterierne opbevares længere end 30 dage:

Temperatur ca. 27°C i tørre omgivelser.

Opbevares ved ca. 30%-50% af ladetilstanden.

Batteri skal genoplades hver 6. måned.

OVERBELASTNINGSSIKRING FOR BATTERI

Overbelastes batteriet på grund af meget højt strømforbrug, f. eks. som følge af ekstremt høje drejningsmomenter, fastklemning af bor, pludseligt stop eller kortslutning, brummer el-værktøjet i 2 sekunder og slukker så af sig selv.

For at tænde igen slipper du trykknappen og tænder el-værktøjet på ny.

Under ekstreme belastninger kan batteriet blive meget varmt. I så fald kobler batteriet fra.

Sæt batteriet i ladeadapteren for at genoplade det og aktivere det.

VEDLIGEHOJDELSE

Hold altid maskinens ventilationsåbninger rene.

Brug kun Milwaukee-tilbehør og Milwaukee-reservedele. Komponenter, hvor udskiftningsproceduren ikke er beskrevet, skal skiftes ud hos et Milwaukee-servicested (se brochure garanti/kundeserviceadresser).

Hvis det er nødvendigt, kan der bestilles en sprængskitse af værktøjet. Angiv herved venligst maskintypen samt det seksificerede nummer på mærkepladen og bestil tegningen hos din lokale kundeserviceafdeling eller direkte hos Techtronic Industries GmbH, Max-Eyth-Straße 10, 71364 Winnenden, Tyskland.

SYMBOLER



Læs brugsanvisningen nøje før ibrugtagning.



Ved arbejde inden i maskinen, bør batteriet tages ud.



Tilbehør - Ikke inkluderet i leveringsomfanget, køb købes som tilbehør.



Elværktøj må ikke bortskaffes som almindeligt affald! I henhold til det europæiske direktiv 2002/96/EF om bortskaffelse af elektriske og elektroniske produkter og gældende national lovgivning skal brugt elværktøj indsamles separat og bortskaffes på en måde, der skåner miljøet mest muligt.

| TEKNISKE DATA | Batteridrevet sabelsag | M18 CSX |
|---|--------------------------|------------------|
| Produksjonsnummer..... | 4460 71 01 | ...000001-999999 |
| Kuttedybde maks. in: | | |
| Mykt treverk | 300 mm | |
| Stål | 20 mm | |
| Aluminium | 25 mm | |
| Uedelt metall | 25 mm | |
| Metallrør | 150 mm | |
| Tomgangslag tall | 0-3000 min ⁻¹ | |
| Slaghøyde | 28,6 mm | |
| Spenning vekselbatteri | 18 V | |
| Vekt i henhold til EPTA-Proseduren 01/2003..... | 4,1 kg | |

Støy/Vibrasjonsinformasjon

Måleverdier fastslått i samsvar med EN 60 745.

Det A-bedømte lydnivået til maskinen er:

| | |
|---------------------------------|-------------|
| Lydtryknivå (K=3 dB(A)) | 84,9 dB (A) |
| Lydeffektnivå (K=3 dB(A)) | 95,9 dB (A) |

Bruk hørselsvern!

Totalt svingningsverdier (vektorsum fra tre retninger) beregnet jf. EN 60745.

| | |
|---|-----------------------|
| Svingningsemissjonsverdi a _h | |
| Saging av trebjelker | 16,7 m/s ² |
| Usikkerhet K | 1,5 m/s ² |
| Saging av sponplater | 22,3 m/s ² |
| Usikkerhet K | 3,0 m/s ² |

ADVARSEL

Svingningsnivået som er angitt i denne instruksjonen er målt i overensstemmelse med målemetoden normert i direktiv EN 60745 og kan brukes til å sammenligne elektromaskiner med hverandre. Den egner seg også for en foreløbig vurdering av svingningsbelastningen.

Det angitte svingningsnivået representerer de hovedsaklige bruk av elektroverktøyet. Men anvendes elektroverktøyet for andre bruk med avvikende utskiftbare verktøy eller vedlikeholdet er utilstrekkelig, kan svingningsnivået være avvikende.

Dette kan forhøye svingningsbelastning betydelig over hele arbeidsperioden. For en nøyaktig vurdering av svingningsbelastningen må også det tas hensyn til tiden apparatet er avslått eller står på, men ikke er i bruk. Dette kan redusere svingningsbelastningen betydelig over hele arbeidsperioden.

Innfør også ekstra sikkerhetstiltak for å beskytte bruker mot utvirkingen av svingningene. Disse kan f.eks. være: vedlikehold av elektroverktøyet og det utskiftbare verktøyet, holde hendene varme, organisasjon av arbeidsforløpet.

⚠ OBS! Les alle sikkerhetsinstruksjoner og bruksanvisninger. Feil ved overholdelsen av advarslene og nedenstående anvisninger kan medføre elektriske støt, brann og/eller alvorlige skader.

Ta godt vare på alle advarslene og informasjonene.

SPEIELLE SIKKERHETSHENVISNINGER

Bruk hørselsvern. Støy kan føre til tap av hørselen
Hold apparatet i de isolerte holdeflatene, når det arbeides på steder hvor elektroverktøyet kan treffe skjulte strømledninger. Kontakt med en spenningsførende ledning setter også maskinens metalldele under spenning og fører til elektriske støt.

Bruk alltid vernebrille når du arbeider med maskinen. Det anbefales å bruke arbeidshansker, faste og sklisliske sko og forkle.

Spon eller fliser må ikke fjernes mens maskinen er i gang.

Bruk alltid maskinens beskyttelsesinnretninger.

Støvet som oppstår ved arbeidet er ofte helsefarlig og skal ikke komme i kontakt med kroppen. Bruk derfor vernemaske som er egnet for støv.

Sagblad som har sprekker eller som har endret form må ikke brukes!

Dykksaging er kun mulig i bløtere materialer (treverk, lettere byggematerialer for vegger), for hardere materialer (metaller) må det brukes et sagblad med tilsvarende stor boring.

Plasser styrebøylen alltid mot emnet når du sager.

Pass på kabler, gass- og vannledninger når du arbeider i vegger, tak eller gulv.

Ikke kast brukte vekselbatterier i varmen eller husholdningsavfallet. Milwaukee tilbyr en miljøriktig deponering av gamle vekselbatterier; vennligst spør din fagforhandler.

Ikke oppbevar vekselbatterier sammen med metallgjenstander (kortslutningsfare).

Vekselbatterier av systemet V-Tec skal kun lades med lader av systemet V-Tec. Ikke lad opp batterier fra andre systemer.

Metalldele må ikke komme inn i innskyningssjakten for vekselbatterier på ladere (kortslutningsfare).

Ikke åpne vekselbatterier og ladere, de skal oppbevares i tørre rom. Beskyttes mot fuktighet.

Under ekstreme belastninger og ekstreme temperaturer kan det lekke ut batterivæske fra utskiftbare batterier. Ved berøring med batterivæske, vask umiddelbart med såpe og vann. Ved kontakt med øynene må øynene skylles grundig i rennende vann i minst 10 minutter. Oppsøk lege umiddelbart.

CE-SAMSVARERKLÆRING

Vi erklærer i alene ansvar at produktet beskrevet i „Teknisk data“ overensstemmer med alle relevante forskrifter til Eu direktiv 2011/65/EU (RoHS), 2006/42/EF, 2004/108/EF og de følgende harmoniserte normative dokumentene.

EN 60745-1:2009 + A11:2010

EN 60745-2-11:2010

EN 55014-1:2006 + A1:2009 + A2:2011

EN 55014-2:1997 + A1:2001 + A2:2008

Winnenden, 2013-07-01

Alexander Krug

Alexander Krug
Managing Director



Autorisert til å utarbeide den tekniske dokumentasjonen

Technronic Industries GmbH

Max-Eyth-Straße 10

71364 Winnenden

Germany

FORMALSMESSIG BRUK

Bajonett-sagen sager treverk, plast og metall. Den skjærer rett, kurver og innvendige utsnitt. Den skjærer rørt og skiller i flukt med flater.

Dette apparatet må kun brukes til de oppgitte formål.

ELEKTRISK BREMSE

Ved å slippe trykkbryteren blir sagbladet stoppet innen 2 sekund av en elektrisk brems. Det kan dog skje at den elektriske bremsen reagerer forsinket. Av og til hender det at den elektriske bremsen ikke virker. Skulle det skje at den elektriske bremsen ofte ikke virker, må sagen bringes til et autorisert Milwaukee servicested.

Trekk sagen ut av arbeidsstykke etter at sagen står stille.

BATTERIER

Nye vekselbatterier når sin fulle kapasitet etter 4-5 lade- og utladesyklus. Vekselbatterier som ikke er brukt over lengre tid skal etterlades før bruk.

En temperatur over 50°C reduserer vekselbatteriets kapasitet. Unngå oppvarming i sol eller ved varmeovner (fyring) i lengre tid.

Hold tilkoplingskontaktene på lader og vekselbatteri rene.

For en optimal levetid må batteriene etter bruk ladet helt opp.

For å sikre en lengst mulig brukstid av batteriene skal disse etter oppladning tæs ut av laderen.

Ved lagring av batteriene lengre enn 30 dager:

Lagre batteriet tørt ved ca. 27°C.

Lagre batteriet ved en oppladningstilstand på ca. 30%-50%.

Lade opp batteriet igjen etter 6 måneder.

OVERBELASTNINGSVERN FOR OPPLADBARE BATTERIER

Ved overbelastning av det oppladbare batteriet p.g.a. svært høy strømforsøk, for eksempel ved ekstrem høye dreiemoment, fastklemming av boret, plusselig stopp eller kortslutning, brummer elektroverktøyet 2 sekunder og slår seg så automatisk av.

For å slå det på igjen, må man slippe trykkbryteren og så slå på igjen.

Ved ekstreme belastninger kan det oppladbare batteriet bli sterkt opphetet. I slike tilfeller kobler batteriet seg ut.

Sett batteriet da i laderen for å få det oppladet og aktivert igjen.

VEDLIKEHOLD

Hold alltid luftenåpningene på maskinen rene.

Bruk kun Milwaukee tilbehør og Milwaukee reservedeler. Komponenter der utskifting ikke er beskrevet skal skiftes ut hos Milwaukee kundeservice (se brosjyre garanti/ kundeserviceadresser).

Ved behov kan det fås en eksplosjonstegning av apparatet hos kundeservice eller direkte hos Technronic Industries GmbH, Max-Eyth-Straße 10, 71364 Winnenden, Germany ved angivelse av maskinens type og det sekstallige nummeret på maskinens skilt.

SYMBOLER



Les nøye gjennom bruksanvisningen før maskinen tas i bruk.



Ta ut vekselbatteriet før du arbeider på maskinen



Tilbehør - inngår ikke i leveransen, anbefalt komplettering fra tilbehørsprogrammet.



Kast aldri elektroverktøy i husholdningsavfallet! I henhold til EU-direktiv 2002/96/EF om kasserte elektriske og elektroniske produkter og direktivets iverksetting i nasjonal rett, må elektroverktøy som ikke lenger skal brukes, samles separat og returneres til et miljøvennlig gjenvinningsanlegg.

| TEKNISKA DATA | Batteridriven tigersåg | M18 CSX |
|-------------------------------|--------------------------|-----------------|
| Produktionsnummer | 4460 71 01 | ..000001-999999 |
| Sågdjup max i: | | |
| Mjukt trä..... | 300 mm | |
| Stål | 20 mm | |
| Aluminium | 25 mm | |
| Mjukt metall | 25 mm | |
| Metallrör | 150 mm | |
| Tomgångsslagtal..... | 0-3000 min ⁻¹ | |
| Slaglängd..... | 28,6 mm | |
| Batterispänning..... | 18 V | |
| Vikt enligt EPTA 01/2003..... | 4,1 kg | |

Buller-/vibrationsinformation

Mätvärdena har tagits fram baserade på EN 60 745.

A-värdet av maskinens ljudtrycksnivå är

Ljudtrycksnivå (K=3 dB(A))..... 84,9 dB (A)

Ljudeffektsnivå (K=3 dB(A))..... 95,9 dB (A)

Använd hörselskydd!

Totala vibrationsvärden (vektorsumma ur tre riktningar) framtaget enligt EN 60745.

Vibrationsemissionsvärde a_n

Såga träbjälkar..... 16,7 m/s²

Onoggrannhet K..... 1,5 m/s²

Sågning i spånplatta..... 22,3 m/s²

Onoggrannhet K..... 3,0 m/s²

VARNING

Den i de här anvisningarna angivna vibrationsnivån har uppmätts enligt ett i EN 60745 normerat mätförfarande och kan användas vid jämförelse mellan olika elverktyg. Nivån är även lämplig att använda vid en preliminär bedömning av vibrationsbelastningen.

Den angivna vibrationsnivån representerar den huvudsakliga användningen av det aktuella elverktyget. Men om elverktyget ska användas i andra användningsområden, tillsammans med avvikande insatsverktyg eller efter otillräckligt underhåll, kan vibrationsnivån skilja sig. Det kan öka vibrationsbelastningen betydligt under hela arbetstiden.

För att få en exaktare bedömning av vibrationsbelastningen ska även den tid beaktas, under vilken elverktyget är avstängt eller är påslaget, utan att det verkligen används. Det kan reducera vibrationsbelastningen betydligt under hela arbetstiden.

Lägg som skydd för användaren fast extra säkerhetsåtgärder mot vibrationernas verkan, som till exempel: underhåll av elverktyg och insatsverktyg, varmhållning av händer och organisering av arbetsförlopp.

⚠ VARNING! Läs all säkerhetsinformation och alla anvisningar. Fel som uppstår till följd av att anvisningarna nedan inte följts kan orsaka elstöt, brand och/eller allvarliga kroppsskador.

Förvara alla varningar och anvisningar för framtida bruk.

SÄKERHETSUTRUSTNING

Bär hörselskydd. Bullerbelastning kan orsaka hörselskador.

Håll fast apparaten med hjälp av de isolerade greppytorna när du utför arbeten där arbetsverktyget skulle kunna träffa på dolda elledningar. Om sågen kommer i kontakt med en spänningsförande ledning sätts sågens metalldelar under spänning som sedan kan leda till elektriskt slag.

Använd alltid skyddsglasögon, skyddshandskar och hörselskydd.

Avlägsna aldrig spån eller flisor när maskinen är igång.

Använd alltid maskinens skyddsanordningar.

Det damm som bildas under arbetets gång är ofta hälsofarligt och det ska inte komma in i kroppen. Bär därför lämplig skyddsmask.

Spruckna sågklingor eller sådana som förändrat form får ej användas!

Är endast möjlig i mjuka material (trä m.m.) vid hårdare material (metall) rekommenderas förborring.

Vid sågning skall alltid styrbygeln ligga an mot arbetsstycket.

Vid arbetenborring i vägg, tak eller golv, var alltid observant på befintliga el-, gas- eller vattenledningar.

Kasta inte förbrukade batterier. Lämna dem till Milwaukee Tools för återvinning.

Förvara ej batteriet ihop med metallföremål, kortslutning kan uppstå.

System V-Tec batterier laddas endast i System V-Tec laddare. Ladda inte batterier från andra system.

Se upp så att inga metallföremål hamnar i laddarens batterischakt, kortslutning kan uppstå.

Batterier lagras torrt och skyddas för fukt.

Under extrem belastning eller extrem temperatur kan batterivätska tränga ut ur skadade utbytesbatterier. Vid beröring med batterivätska tvätta genast av med vatten och tvål. Vid ögonkontakt spola genast i minst 10 minuter och kontakta genast läkare.

CE-FÖRSÄKRAN

Vi intygar och ansvarar för att den produkt som beskrivs under "Tekniska data" överensstämmer med alla relevanta bestämmelser i direktiv 2011/65/EU (RoHS), 2006/42/EG, 2004/108/EG och följande harmoniserade normerande dokument:

EN 60745-1:2009 + A11:2010

EN 60745-2-11:2010

EN 55014-1:2006 + A1:2009 + A2:2011

EN 55014-2:1997 + A1:2001 + A2:2008

Winnenden, 2013-07-01

Alexander Krug

Alexander Krug
Managing Director



Befullmäktigad att sammanställa teknisk dokumentation.

Techtronic Industries GmbH

Max-Eyth-Straße 10

71364 Winnenden

Germany

ANVÄND MASKINEN ENLIGT ANVISNINGARNA

Sabelsåg sågar trä, plast och metall. Den skär rakt, sågar kurvor och kapa plant.

Maskinen får endast användas för angiven tillämpning.

ELEKTRISK BROMS

När du släpper brytarknappen stannar sågbladet inom ca 2 sekunder tack vare den elektriska bromsen. Det kan emellertid inte uteslutas att bromsen slår till något fördröjt. Och det kan också hända att den elektriska bromsen inte verkar alls. Om den elektriska bromsen oftare inte skulle fungera ska du lämna eller skicka in din såg till en auktoriserad Milwaukee serviceverkstad.

Dra först ut sågen ur arbetsstycket när sågbladet har stannat helt.

BATTERIER

Nya batterier uppnår max effekt efter 4-5 laddningscykler. Batteri som ej använts på länge måste laddas före nytt bruk.

En temperatur över 50°C reducerar batteriets effekt. Undvik längre uppvärmning tex i solen eller nära ett element.

Se till att anslutningskontaktarna i laddaren och på batteriet är rena.

För en optimal livslängd ska batterierna laddas helt igen efter användningen.

För att få en så lång livslängs som möjligt bör laddningsbara batterier avlägsnas från laddaren när de är laddade.

Om laddningsbara batterier lagras längre än 30 dagar:

Lagra batteriet torrt och vid ca 27°C.

Lagra batteriet vid ca 30%-50% av laddningskapaciteten.

Ladda batterierna på nytt var 6:e månad.

BATTERI-ÖVERBELASTNINGSSKYDD

Om det uppladdningsbara batteriet överbelastas på grund av mycket hög strömförbrukning, till exempel vid extremt höga vridmoment, fastklämning av borret, plötsligt stopp eller kortslutning, brummar elverktyget i 2 sekunder och stängs sedan av automatiskt.

Släpp därefter först upp tryckknappen och slå sedan på elverktyget igen, om du vill fortsätta bearbetningen.

Vid extrem belastning kan batteriet bli väldigt varmt. I ett sådant fall stängs batteriet av automatiskt.

Sätt då batteriet i laddaren för att ladda upp och aktivera det igen.

SKÖTSEL

Se till att motorhöljets luftslitsar är rena.

Använd endast Milwaukee-tillbehör och Milwaukee-reservdelar. Komponenter, för vilka inget byte beskrivs, skall bytas ut hos Milwaukee-kundtjänst (se broschyren garanti-/kundtjänstadresser).

Vid behov kan du rekvirera apparatens sprängskiss antingen hos kundservicen eller direkt hos Techtronic Industries GmbH, Max-Eyth-Straße 10, 71364 Winnenden, Germany. Du ska då ange maskintypen och numret på sex siffror som står på effektskylten.

SYMBOLER



Läs instruktionen noga innan du startar maskinen.



Drag ur batteripaket innan arbete utföres på maskinen.



Tillbehör - Ingår ej i leveransomfånget, erhålles som tillbehör.



Elektriska verktyg får inte kastas i hushållsoporna! Enligt direktivet 2002/96/EG som avser äldre elektrisk och elektronisk utrustning och dess tillämpning enligt nationell lagstiftning ska uttjänta elektriska verktyg sorteras separat och lämnas till miljövänlig återvinning.

| TEKNISET ARVOT | Akkupuukkosaha | M18 CSX |
|--|--------------------------|-----------------|
| Tuotantnumero | 4460 71 01 | ..000001-999999 |
| Leikkaussyvytydet: | | |
| Pehmeä puu | 300 mm | |
| Teräkseen | 20 mm | |
| Alumiini | 25 mm | |
| Muu kuin rautametalli | 25 mm | |
| Metalliputkien | 150 mm | |
| Kuormittamaton iskuluku | 0-3000 min ⁻¹ | |
| Iskun pituus | 28,6 mm | |
| Jännite vaihtoakku | 18 V | |
| Paino EPTA-menetelyn 01/2003 mukaan..... | 4,1 kg | |

Melunpäästö-/tärinätiedot

Mitta-arvot määritetty EN 60 745 mukaan.

Yleensä työkalun A-luokan melutaso

Melutaso (K = 3 dB(A)) 84,9 dB (A)

Äänenvoimakkuus (K = 3 dB(A)) 95,9 dB (A)

Käytä kuulosuojaimia!

Värähtelyn yhteisarvot (kolmen suunnan vektorisumma) mitattuna EN 60745 mukaan.

| | |
|-------------------------------------|-----------------------|
| Värähtelyemissioarvo a _w | |
| Puupalkkien sahaaminen | 16,7 m/s ² |
| Epävarmuus K | 1,5 m/s ² |
| Lastulevyn sahaaminen..... | 22,3 m/s ² |
| Epävarmuus K..... | 3,0 m/s ² |

VAROITUS

Näissä ohjeissa mainittu värähtelytaso on mitattu EN 60745 -standardin mukaisella mittausmenetelmällä ja sitä voidaan käyttää sähkötyökalujen vertaamiseen. Sitä voidaan käyttää myös värähtelyrasituksen väliaikaiseen arviointiin.

ainittu värähtelytaso edustaa sähkötyökalun pääasiallista käyttöä. Jos sähkötyökalua kuitenkin käytetään muihin tehtäviin, poikkeavien työkaluun tai riittämättömästi huoltaen, värähtelytaso voi olla erilainen. Se voi korottaa värähtelyrasitusta koko työajan osalta.

Tarkan värähtelyrasituksen toteamiseen tulee ottaa huomioon aika, jona laite on kytketty pois tai on kylläkin päällä, mutta ei käytössä. Se voi pienentää värähtelyrasitusta koko työajan osalta.

Määrittele lisäturvatoimenpiteitä käyttäjän suojaamiseksi värinöiden vaikutukselta, kuten esimerkiksi: sähkötyökalujen ja käyttötyökalujen huolto, käsien lämpimän pitäminen, työvaiheiden organisaatio.

VAROITUS! Lue kaikki turvallisuusmääräykset ja ohjeet. Turvallisuusohjeiden noudattaminen laiminlyönti saattaa johtaa sähköiskuun, tulipaloon ja/tai vakavaan loukkaantumiseen.
Säilytä kaikki turvallisuus- ja muut ohjeet tulevaisuutta varten.

TURVALLISUUSOHJEET

Käytä korvasuojia. Altistuminen melulle voi vahingoittaa kuuloa.

Pitele laitetta vain eristetyistä tarttumapinnoista, kun suoritat sellaisia töitä, joissa leikkaustyökalu saattaa osua piilossa oleviin sähköjohtoihin. Kosketus jännitteeseen johtoon saattaa myös koneen metalliosat jännitteisiksi ja johtaa sähköiskuun.

Käytä laitteella työskennellessäsi aina suojalaseja. Suojakäsineiden, turvallisten ja tukevapohjaisten kenkien, kuulosuojainten ja suojaesiliinan käyttöä suositellaan.

Lastuja tai puruja ei saa poistaa koneen käydessä.

Laitteen suojavarusteita on ehdottomasti käytettävä.

Koneen käytöstä aiheutuva pöly ja jäte voi olla haitallista terveydelle eikä sen vuoksi tulisi päästä kosketukseen ihon kanssa. Koneella työskennellessä on käytettävä sopivaa suojainta.

Rikkinäisiä sahanterä tai sellaisia, jotka ovat muuttaneet muotoaan ei saa käyttää!

Upotussahaus on mahdollista vain pehmeämpiin materiaaleihin (puu, kevytrakenteiset seinät), koviin materiaaleihin (metallit) on ensin tehtävä sahanterän suurin porausaukko.

Pidä sahaustuki aina työkalua vasten.

Varo seinään, kattoon tai lattiaan porattaessa osumasta sähköjohtoon, kaasu- ja vesijohtoihin.

Käytettyjä vaihtoakkuja ei saa polttaa eikä poistaa normaalin jätehuollon kautta. Milwaukeeella on tarjolla vanhoja vaihtoakkuja varten ympäristöystävällinen jätehuoltopalvelu.

Vaihtoakkuja ei saa säilyttää yhdessä metalliesineiden kanssa (oikosulkuvaara).

Käytä ainoastaan System V-Tec latauslaitetta System V-Tec akkujen lataukseen. Älä käytä muiden järjestelmien akkuja.

On varottava, ettei latauslaitteiden vaihtoakkulatauskoloon joudu metalliesineitä (oikosulkuvaara).

Vaihtoakkuja ja latauslaitteita ei saa avata. Säilytys vain kuivissa tiloissa. Suojattava kosteudelta.

Vaurioituneesta akusta saattaa erityisen kovassa käytössä tai poikkeavassa lämpötilassa vuotaa akkuhappoa. Ihonkohta, joka on joutunut kosketukseen akkuhapon kanssa on viipymättä pestävä vedellä ja saippualla. Silmä, johon on joutunut akkuhappoa, on huuhdeltava vedellä vähintään 10 minuutin ajan, jonka jälkeen on viipymättä hakeuduttava lääkärin apuun.

TODISTUS CE-STANDARDINMUKAISUUDESTA

Vakuutamme yksinvastuullisesti, että kohdassa "Tekniset tiedot" kuvattu tuote vastaa kaikkia sitä koskevia direktiivien 2011/65/EU (RoHS), 2006/42/EY, 2004/108/EY määräyksiä sekä seuraavia harmonisoituja standardisoivia asiakirjoja:

EN 60745-1:2009 + A11:2010
EN 60745-2-11:2010
EN 55014-1:2006 + A1:2009 + A2:2011
EN 55014-2:1997 + A1:2001 + A2:2008

Winnenden, 2013-07-01



Alexander Krug
Managing Director



Valtuutettu kokoamaan tekniset dokumentit.

Technic Industries GmbH
Max-Eyth-Straße 10
71364 Winnenden
Germany

TARKOITUKSENMUKAINEN KÄYTTÖ

Puukkosaha pystyy puuhun, muoviin ja metalliin. Sillä voidaan sahata suorita, viistoja ja käyriä leikkauksia sekä reikiä.

Älä käytä tuotetta ohjeiden vastaisesti.

SÄHKÖJARRU

Sähköjarru pysäyttää sahanterän n. 2 sekunnin sisällä, kun kytkinpainikkeesta on päästetty irti. Sähköjarru voi vaikuttaa myös viiveellä. Joskus jarru ei toimi. Jos sähköjarru ei toimi usein, saha on vietävä valtuutettuun Milwaukee-korjaamoon. Vedä saha sahattavasta kappaleesta vasta sahanterän pysähtyttyä.

AKKU

Uudet vaihtoakut saavuttavat täyden varauskyvyn 4-5 latauksen ja purkauksen jälkeen. Pitkään käyttämättä olleet vaihtoakut on ladattava ennen käyttöä.

Yli 50°C lämpötilassa akun suorituskyky heikkenee. Välttämättä akkujen säilyttämistä auringossa tai kuumissa tiloissa.

Pidä aina latauslaitteen ja akun kosketuspinnat puhtaina.

Akut on ladattava täyteen käytön jälkeen optimaalisen eliniän säilyttämiseksi.

Mahdollisimman pitkän elinajan takaamiseksi akut tulee poistaa laturista lataamisen jälkeen.

Akkuja yli 30 päivää säilytettäessä:

Säilytä akku yli 27 °C:ssa ja kuivassa.

Säilytä akku sen latauksen ollessa 30 % - 50 %.

Lataa akku 6 kuukauden välein uudelleen.

AKUN YLIKUORMITUSSUOJAUS

Jos akku ylikuormittuu erittäin suuren virrankulutuksen vuoksi, esim. erittäin suurten vääntömomenttien, poranterän kiinnijuttumisen, äkillisen pysähtymisen tai lyhytsulun vuoksi, niin sähkötyökalu surisee 2 sekunnin ajan ja sammuu sitten omatoimisesti.

Käynnistä laite uudelleen päästämällä katkaisinpainike irti ja kytkemällä se sitten uudelleen.

Erittäin suuressa kuormituksessa saattaa akku kuumeta liikaa. Tässä tapauksessa akku kytkeytyy pois.

Työnnä akku sitten latauslaitteeseen ja lataa se jälleen, jotta se aktivoituu.

HUOLTO

Pidä moottorin ilmanottoaukot puhtaina.

Käytä ainoastaan Milwaukee lisätarvikkeita ja Milwaukee varaosia. Mikäli jokin komponentti, jota ei ole kuvailtu, tarvitsee vaihtoa ota yhteys johonkin Milwaukee palvelupisteistä (kts. listamme takuuhuoltoilikkeiden/ palvelupisteiden osoitteista)

Tarvittaessa voit pyytää laitteen räjähdyspiirustuksen ilmoittaan konetyypin ja tyyppikilvessä olevan kuusinumeroisen luvun huoltopalvelustasi tai suoraan osoitteella Techtron Industries GmbH, Max-Eyth-Strasse 10, 71364 Winnenden, Saksa.

SYMBOLIT



Lue käyttöohjeet huolellisesti, ennen koneen käynnistämistä.



Ota akku pois ennen kaikkia koneeseen tehtäviä toimenpiteitä.



Lisälaite - Ei sisälly vakiovarustukseen, saatavana lisätarvikkeena.



Älä hävitä sähkötyökalua tavallisen kotitalousjätteen mukana! Vanhoja sähkö- ja elektroniikkalaitteita koskevan EU-direktiivin 2002/96/ETY ja sen maakohtaisten sovellusten mukaisesti käytetyt sähkötyökalut on toimitettava ongelmajätteen keräyspisteeseen ja ohjattava ympäristöstävälliseen kierrätykseen.

| ΤΕΧΝΙΚΑ ΣΤΟΙΧΕΙΑ | Σπαθόσεγα μπαταρίας | M18 CSX |
|--|---------------------|--------------------------------|
| Αριθμός παραγωγής..... | | 4460 71 01 ...000001-999999 |
| Μέγιστο βάθος κοπής σε: | | |
| Μαλακό ξύλο..... | | 300 mm |
| Χάλυβας..... | | 20 mm |
| Αλουμίνιο..... | | 25 mm |
| Μη σιδηρούχα μέταλλα..... | | 25 mm |
| Μεταλλικοί σωλήνες..... | | 150 mm |
| Αριθμός παλινδρομήσεων χωρίς φορτίο..... | | 0-3000 min ⁻¹ |
| Ύψος διαδρομής..... | | 28,6 mm |
| Τάση αναλλακτικής μπαταρίας..... | | 18 V |
| Βάρος σύμφωνα με τη διαδικασία ΕΡΤΑ 01/2003..... | | 4,1 kg |

Πληροφορίες θορύβου/δονήσεων

Τιμές μέτρησης εξακριβωμένες κατά EN 60 745.
 Τυπική Α αξιολογημένη στάθμη θορύβου:
 Στάθμη ηχητικής πίεσης (K = 3 dB(A)) 84,9 dB (A)
 Στάθμη ηχητικής ισχύος (K = 3 dB(A)) 95,9 dB (A)
Φοράτε προστασία ακοής (ωτασπίδες)!

Υλικές τιμές κραδασμών (άθροισμα διανυσμάτων τριών διευθύνσεων) εξακριβώθηκαν σύμφωνα με τα πρότυπα EN 60745.
 Τιμή εκπομπής δονήσεων a_h
 Κοπή ξύλινων δοκών..... 16,7 m/s²
 Ανασφάλεια K 1,5 m/s²
 Πριόνισμα μοριοσανίδες 22,3 m/s²
 Ανασφάλεια K 3,0 m/s²

ΠΡΟΕΙΔΟΠΟΙΗΣΗ

Το αναφερόμενο σ' αυτές τις οδηγίες επίπεδο δονήσεων έχει μετρηθεί με μια τυποποιημένη σύμφωνα με το EN 60745 μέθοδο μέτρησης και μπορεί να χρησιμοποιηθεί για τη σύγκριση των ηλεκτρικών εργαλείων μεταξύ τους. Αυτό είναι επίσης κατάλληλο για μια προσωρινή εκτίμηση της επιβάρυνση των δονήσεων.

Το αναφερόμενο επίπεδο δονήσεων αντιπροσωπεύει τις κύριες χρήσεις του ηλεκτρικού εργαλείου. Εάν όμως το ηλεκτρικό χρησιμοποιείται σε άλλες χρήσεις, με διαφορετικά εργαλεία εφαρμογής ή ανεπαρκή συντήρηση, μπορεί να υπάρξει απόκλιση του επιπέδου δονήσεων. Αυτό μπορεί να αυξήσει σημαντικά την επιβάρυνση των δονήσεων για τη συνολική διάρκεια της εργασίας.

Για μια ακριβή εκτίμηση της επιβάρυνσης των δονήσεων οφείλουν επίσης να λαμβάνονται υπόψη οι χρόνοι, στους οποίους η συσκευή είναι απενεργοποιημένη ή είναι μεν ενεργοποιημένη αλλά δεν χρησιμοποιείται πραγματικά. Αυτό μπορεί να μειώσει σημαντικά την επιβάρυνση των δονήσεων για τη συνολική διάρκεια της εργασίας.

Καθορίζετε πρόσθετα μέτρα ασφαλείας για την προστασία του χειριστή από την επίδραση των δονήσεων όπως για παράδειγμα: Συντήρηση του ηλεκτρικού εργαλείου και των εργαλείων εφαρμογής, διατηρείτε ζεστά τα χέρια, οργάνωση των διαδικασιών εργασίας.

⚠ ΠΡΟΣΟΧΗ! Διαβάστε όλες τις οδηγίες ασφαλείας και τις οδηγίες χρήσεως. Αμέλειες κατά την τήρηση των προειδοποιητικών υποδείξεων μπορεί να προκαλέσουν ηλεκτροπληξία, κίνδυνο πυρκαγιάς ή/και σοβαρούς τραυματισμούς.
Φυλάξτε όλες τις προειδοποιητικές υποδείξεις και οδηγίες για κάθε μελλοντική χρήση.

ΕΙΔΙΚΕΣ ΥΠΟΔΕΙΞΕΙΣ ΑΣΦΑΛΕΙΑΣ

Φοράτε ωτασπίδες. Η επίδραση θορύβου μπορεί να προκαλέσει απώλεια ακοής.
Να πιάνετε τη συσκευή στις μονωμένες χειρολαβές όταν εκτελείτε εργασίες κατά τις οποίες τα κοπτικά εργαλεία θα μπορούσαν να πέσουν επάνω σε κρυμμένα καλώδια ρεύματος. Η επαφή του πριονόδιου με μια υπό τάση ευρισκόμενη ηλεκτρική γραμμή θέτει επίσης και τα μεταλλικά τμήματα του μηχανήματος υπό τάση κι έτσι μπορεί να οδηγήσει σε ηλεκτροπληξία.
 Στις εργασίες με τη μηχανή φοράτε πάντοτε προστατευτικά γυαλιά. Συνιστάνται τα προστατευτικά γάντια, τα σταθερά και ανπολισθητικά παπούτσια και η ποδιά.
 Τα γρέζια ή τα σκλήθρες δεν επιτρέπεται να απομακρύνονται με κινούμενη τη μηχανή.
 Χρησιμοποιείτε οπωσδήποτε τη διάταξη προστασίας της μηχανής.
 Η σκόνη που δημιουργείται κατά την εργασία είναι συχνά επιβλαβής για την υγεία και δεν επιτρέπεται να έλθει στο σώμα. Να φοράτε κατάλληλη μάσκα προστασίας από σκόνη.
 Οι ραγισμένες πριονόλαμες (πριονόδιακοι) ή αυτές που έχουν παραμορφωθεί δεν επιτρέπεται να χρησιμοποιηθούν!
 Το πριόνισμα με βύθισμα είναι δυνατό μόνο σε μαλακά υλικά (ξύλο, ελαφρά δομικά υλικά για τοιχώματα), στα σκληρότερα

υλικά (μέταλλα) πρέπει να γίνει μια σπη αντίστοιχη στο μέγεθος της πριονόλαμας.
 Κατά το πριόνισμα ακουμπάτε το βραχίονα οδήγησης πάντοτε στο επεξεργαζόμενο κομμάτι.
 Κατά τις εργασίες στον τοίχο, στην οροφή ή στο δάπεδο προσέχετε για τυχόν ηλεκτρικά καλώδια και για σωλήνες αερίου και νερού.

Μην πετάτε τις μεταχειρισμένες ανταλλακτικές μπαταρίες στη φωτιά ή στα οικιακά απορρίμματα. Η Milwaukee προσφέρει μια απόσυρση των παλιών ανταλλακτικών μπαταριών σύμφωνα με τους κανόνες προστασίας του περιβάλλοντος, ρωτήστε παρακαλώ σχετικά στο ειδικό κατάστημα πώλησης.
 Μην αποθηκεύετε τις ανταλλακτικές μπαταρίες μαζί με μεταλλικά αντικείμενα (κίνδυνος βραχυκυκλώματος).
 Φορτίζετε τις ανταλλακτικές μπαταρίες του συστήματος V-Tec μόνο με φορτιστές του συστήματος V-Tec. Μην φορτίζετε μπαταρίες από άλλα συστήματα.

Στη θήκη υποδοχής των ανταλλακτικών μπαταριών του φορτιστή δεν επιτρέπεται να φθάνουν μεταλλικά αντικείμενα (κίνδυνος βραχυκυκλώματος).
 Μην ανοίγετε τις ανταλλακτικές μπαταρίες και τους φορτιστές και χρησιμοποιείτε για αποθήκευση μόνο στεγνούς χώρους. Προστατεύετε τις ανταλλακτικές μπαταρίες και τους φορτιστές από την υγρασία.

Όταν υπάρχει υπερβολική καταπόνηση ή υψηλή θερμοκρασία μπορεί να τρέξει υγρό μπαταρίας από τις χαλασμένες επαναφορτιζόμενες μπαταρίες. Αν έρθετε σε επαφή με υγρό μπαταρίας να πλυθείτε αμέσως με νερό και σαπούνι. Σε περίπτωση επαφής με τα μάτια να πλυθείτε σχολαστικά για τουλάχιστον 10 λεπτά και να αναζητήσετε αμέσως ένα γιατρό.

ΔΗΛΩΣΗ ΠΙΣΤΟΤΗΤΑΣ ΕΚ

Δηλώνουμε υπεύθυνα ότι το προϊόν που περιγράφεται στο κεφάλαιο «Τεχνικά χαρακτηριστικά» είναι συμβατό με τις διατάξεις της Κοινοτικής Οδηγίας 2011/65/EU (RoHS), 2006/42/EK, 2004/108/EK και με τα ακόλουθα εναρμονισμένα κανονιστικά έγγραφα:
 EN 60745-1:2009 + A11:2010
 EN 60745-2-11:2010
 EN 55014-1:2006 + A1:2009 + A2:2011
 EN 55014-2:1997 + A1:2001 + A2:2008

Winnenden, 2013-07-01


 Alexander Krug
 Managing Director
 Εξουσιοδοτημένος να συντάξει τον τεχνικό φάκελο.
 Techtronic Industries GmbH
 Max-Eyth-Straße 10
 71364 Winnenden
 Germany



ΧΡΗΣΗ ΣΥΜΦΩΝΑ ΜΕ ΤΟ ΣΚΟΠΟ ΠΡΟΟΡΙΣΜΟΥ

Η σπαθόσεγα πριονίζει ξύλο, πλαστικό και μέταλλο. Κόβει ευθεία, καμπύλες και εσωτερικά ανοίγματα. Κόβει σωλήνες και χωρίζει "πρόσωπο" με την επιφάνεια.
 Αυτή η συσκευή επιτρέπεται να χρησιμοποιηθεί μόνο σύμφωνα με τον αναφερόμενο σκοπό προορισμού.

ΗΛΕΚΤΡΙΚΟ ΦΡΕΝΟ

Κατά την ελευθέρωση του διακόπτη η πριονόλαμα ακινητοποιείται μέσα σε 2 δευτερόλεπτα από το ηλεκτρικό φρένο. Όμως το ηλεκτρικό φρένο μπορεί να δράσει επίσης με καθυστέρηση. Καμιά φορά το ηλεκτρικό φρένο δεν είναι ενεργό. Εάν το ηλεκτρικό φρένο συχνά δεν είναι ενεργό, πρέπει το πριόνι να προσκομιστεί σε μια εξουσιοδοτημένη υπηρεσία σέρβις της Milwaukee.
 Μόνο μετά την ακινητοποίηση της πριονόλαμας τραβήτε το πριόνι από το τεμάχιο κατεργασίας.

ΜΠΑΤΑΡΙΕΣ

Οι νέες ανταλλακτικές μπαταρίες φθάνουν στην πλήρη χωρητικότητά τους μετά από 4-5 κύκλους φόρτισης και εκφόρτισης. Επαναφορτίζετε τις ανταλλακτικές μπαταρίες που δεν έχουν χρησιμοποιηθεί για μεγαλύτερο χρονικό διάστημα πριν τη χρήση.
 Μια θερμοκρασία πάνω από 50°C μειώνει την ισχύ της ανταλλακτικής μπαταρίας. Αποφεύγετε τη θέρμανση για μεγαλύτερο χρονικό διάστημα από τον ήλιο ή τις συσκευές θέρμανσης.
 Διατηρείτε τις επαφές σύνδεσης στο φορτιστή και στην ανταλλακτική μπαταρία καθαρές.
 Για μια άριστη διάρκεια ζωής πρέπει μετά τη χρήση οι μπαταρίες να φορτιστούν πλήρως.
 Για μια κατά το δυνατόν μεγάλη διάρκεια ζωής οι μπαταρίες μετά τη φόρτιση οφείλουν να αφαιρεθούν από το φορτιστή.
 Για την αποθήκευση της μπαταρίας για διάστημα μεγαλύτερο των 30 ημερών:
 Αποθηκεύετε τη μπαταρία περ. στους 27°C σε στεγνό χώρο. Αποθηκεύετε τη μπαταρία περ. στο 30%-50% της κατάστασης φόρτισης.
 Κάθε 6 μήνες φορτίζετε εκ νέου τη μπαταρία.





ΠΡΟΣΤΑΣΙΑ ΥΠΕΡΦΟΡΤΩΣΗΣ ΤΗΣ ΜΠΑΤΑΡΙΑΣ

Σε υπερφόρτωση της μπαταρίας από πολύ υψηλή κατανάλωση ρεύματος, π. χ. από ακραίες υψηλές ροπές περιστροφής, μπλοκάρισμα του τρυπανιού, ξαφνικό στοπ ή βραχυκύκλωμα, βουίζει το ηλεκτρικό εργαλείο για 2 δευτερόλεπτα και απενεργοποιείται αυτόματα.
 Για μια νέα ενεργοποίηση, αφήνετε ελεύθερο το διακόπτη και στη συνέχεια ενεργοποιείτε εκ νέου.
 Κάτω από ακραίες καταπονήσεις μπορεί η μπαταρία να θερμανθεί πολύ. Στην περίπτωση αυτή η μπαταρία απενεργοποιείται.
 Τοποθετείτε στη συνέχεια τη μπαταρία στη συσκευή φόρτισης για να την φορτίσετε πάλι και να την ενεργοποιήσετε.

ΣΥΝΤΗΡΗΣΗ

Διατηρείτε πάντοτε τις σχισμές εξεαρισμού στη μηχανή καθαρές.
 Χρησιμοποιείτε μόνο πρόσθ. εξαρτήματα Milwaukee και ανταλλακτικά Milwaukee. Κατασκ. τμήματα, που η αλλαγή τους δεν περιγράφεται, αντικαθίστανται σε μια τεχνική υποστήριξη της Milwaukee (βλέπε φυλλάδιο εγγύηση/διευθύνσεις τεχνικής υποστήριξης).
 Σε περίπτωση που το χρειαστείτε μπορείτε να παραγγείλετε λεπτομερές σχέδιο της συσκευής αναφέροντας τον τύπο και τον εξαψήφιο αριθμό που βρίσκεται στην πινακίδα τεχνικών χαρακτηριστικών από την εξυπηρέτηση πελατών ή απευθείας από την Techtronic Industries GmbH, διεύθυνση Max-Eyth-Straße 10, 71364 Winnenden, Germany.

ΣΥΜΒΟΛΑ

-  Παρακαλώ διαβάστε σχολαστικά τις οδηγίες χρήσης πριν από την έναρξη λειτουργίας.
-  Πριν από κάθε εργασία στη μηχανή αφαιρείτε την ανταλλακτική μπαταρία.
-  Εξαρτήματα - Δεν περιλαμβάνονται στα υλικά παράδοσης, συιστούμενη προσθήκη από το πρόγραμμα εξαρτημάτων.
-  Μην πετάτε τα ηλεκτρικά εργαλεία στον κάδο οικιακών απορριμμάτων! Σύμφωνα με την ευρωπαϊκή οδηγία 2002/96/ΕΚ περί ηλεκτρικών και ηλεκτρονικών συσκευών και την ενσωμάτωσή της στο εθνικό δίκαιο, τα ηλεκτρικά εργαλεία πρέπει να συλλέγονται ξεχωριστά και να πιστοποιηθούν για ανακύκλωση με τρόπο φιλικό προς το περιβάλλον.

| TEKNİK VERİLER | Akü kılıç testeresi | M18 CSX |
|--|---------------------|--------------------------------|
| Üretim numarası | | 4460 71 01 ...000001-999999 |
| Maksimum kesme derinliği: | | |
| Yumuşak tahtada | | 300 mm |
| Çelikte | | 20 mm |
| Alüminyum | | 25 mm |
| Renkli metalde | | 25 mm |
| Metal borular | | 150 mm |
| Boşta ki strok sayısı | | 0-3000 min ⁻¹ |
| Strok yüksekliği | | 28,6 mm |
| Kartuş akü gerilimi | | 18 V |
| Ağırlığı ise EPTA-üretici 01/2003'e göre | | 4,1 kg |

Gürültü/Vibrasyon bilgileri

Ölçüm değerleri EN 60 745 e göre belirlenmektedir.

Aletin A değerlendirmeli gürültü seviyesi tipik olarak şu değerdedir:

| | | |
|---------------------------------------|-------|-------------|
| Ses basıncı seviyesi (K=3 dB(A)) | | 84,9 dB (A) |
| Akustik kapasite seviyesi (K=3 dB(A)) | | 95,9 dB (A) |

Koruyucu kulaklık kullanın!

Toplam titreşim değeri (üç yönün vektör toplamı) EN 60745'e göre belirlenmektedir:

| | | |
|--|-------|-----------------------|
| Titreşim emisyon değeri a _h | | 16,7 m/s ² |
| Ağaç direklerin testere edilmesi | | 1,5 m/s ² |
| Tolerans K | | 22,3 m/s ² |
| Kontrol plak yontma | | 3,0 m/s ² |
| Tolerans K | | 3,0 m/s ² |

UYARI

Bu talimatlarda belirtilen titreşim seviyesi, EN 60745 standardına uygun bir ölçme metodu ile ölçülmüştür ve elektrikli el aletleri birbiriyle karşılaştırmak için kullanılabilir. Ölçüm sonuçları ayrıca titreşim yükünün geçici değerlendirilmesi için de uygundur.

Belirtilen titreşim seviyesi, elektrikli el aletinin genel uygulamaları için geçerlidir. Ancak elektrikli el aleti başka uygulamalar için, farklı eklenti parçalarıyla ya da yetersiz bakım koşullarında kullanılırsa, titreşim seviyesi farklılık gösterebilir. Bu durumda, titreşim yükü toplam çalışma zamanı aralığı içerisinde belirgin ölçüde yükselebilir.

Titreşim yükünün tam bir değerlendirmesi için ayrıca cihazın kapalı olduğu süreler ve cihazın çalışır durumda olduğu, ancak gerçek kullanımda bulunmadığı süreler de dikkate alınmalıdır. Böylelikle, toplam çalışma zamanı aralığı boyunca meydana gelen titreşim yükü belirgin ölçüde azaltılabilir.

Kullanıcıyı titreşimlerin etkisinden korumak üzere, örneğin elektrikli el aletlerinin ve eklenti parçalarının bakımı, ellerin sıcak tutulması ve iş akışlarının organizasyonu gibi ek güvenlik tedbirleri belirleyiniz.

⚠ UYARI! Bütün güvenlik notlarını ve talimatları okuyunuz. Açıklanan uyarılara ve talimat hükümlerine uyulmadığı takdirde elektrik çarpmalarına, yangınlara ve/veya ağır yaralanmalara neden olunabilir.
Bütün uyarıları ve talimat hükümlerini ileride kullanmak üzere saklayın.

GÜVENLİĞİNİZ İÇİN TALİMATLAR

Koruyucu kulaklık kullanın. Çalışırken çıkan gürültü işitme kayıplarına neden olabilir.

Kesme aletinin eğrilmis elektrik kabloları isabet eden çalışmalar yapılırken cihazı izole edilmiş kollarından tutun. Elektrik akımı ileten kablolarla temas edilecek olursa metal alet elemanlarına da gerilim geçer ve bu da elektrik çarpmalarına neden olabilir.

Aletle çalışırken daima koruyucu gözlük kullanın. Koruyucu iş eldivenleri, sağlam ve kaymaz ayakkabılar ve iş önlüğü kullanmanızı tavsiye ederiz.

Alet çalışır durumda iken talaş ve kırpıntıları temizlemeye çalışmayın.

Aletin koruyucu donanımını mutlaka kullanın.

Çalışma sırasında ortaya çıkan toz genellikle sağlığa zararlıdır ve bedeninize temas etmemelidir. Uygun bir koruyucu toz maskesi kullanın

Çatlamış ve deforme olmuş testere bıçaklarını kullanmayın!

Malzeme içine dalarak kesme sadece yumuşak malzemelerde (tahta, duvarlarda kullanılan hafif yapı malzemeleri gibi) mümkündür. Sert malzemelerde ise testere bıçağı boyutuna uygun bir ön kılavuz delik açılmalıdır.

Kesme işlemi sırasında kılavuz kolu daima iş parçası üzerine dayayın.

Duvar, tavan ve zeminde delik açarken elektrik kablolarına, gaz ve su borularına dikkat edin.

Kullanılmış kartuş aküleri ateşe veya ev çöplerine atmayın. Milwaukee, kartuş akülerin çevreye zarar vermeyecek biçimde tasfiye edilmesine olanak sağlayan hizmet sunar; lütfen bu konuda yetkili satıcınızdan bilgi alın.

Kartuş aküleri metal parça veya eşyalarla birlikte saklamayın (kısa devre tehlikesi).

V-Tec sistemli kartuş aküleri sadece V-Tec sistemli şarj cihazları ile şarj edin. Başka sistemli aküleri şarj etmeyin.

Şarj cihazının kartuş akü yuvasına hiçbir şekilde metal parçalar kaçmamalıdır (kısa devre tehlikesi).

Kartuş aküleri ve şarj cihazını açmayın ve sadece kuru yerlerde saklayın. Neme ve ıslanmaya karşı koruyun.

Aşırı zorlanma veya aşırı ısınma sonucu hasar gören kartuş akülerden batarya sıvısı dışarı akabilir. Batarya sıvısı ile temasa gelen yerleri hemen bol su ve sabunla yıkayın. Batarya sıvısı gözünüze kaçacak olursa en azından 10 dakika yıkayın ve zaman geçirmeden bir hekime başvurun.

CE UYGUNLUK BEYANI

Tek sorumlu olarak "Teknik Veriler" bölümünde tarif edilen ürünün 2011/65/EU (RoHS), 2006/42/EC, 2004/108/EC sayılı direktifin ve aşağıdaki harmonize temel belgelerin bütün önemli hükümlerine uygun olduğunu beyan etmekteyiz:

EN 60745-1:2009 + A11:2010
EN 60745-2-11:2010
EN 55014-1:2006 + A1:2009 + A2:2011
EN 55014-2:1997 + A1:2001 + A2:2008

Winnenden, 2013-07-01

Alexander Krug

Alexander Krug
Managing Director



Teknik evrakları hazırlamakla görevlendirilmiştir.

Techtronic Industries GmbH
Max-Eyth-Straße 10
71364 Winnenden
Germany

KULLANIM

Bu panter testere tahta, plastik ve metalleri keser; düz, kavisi ve içten kesme işleri yapar. Boruları keser ve yüzeyle aynı hızda kesme yapar.

Bu alet sadece belirttiği gibi ve usulüne uygun olarak kullanılabilir.

ELEKTRİKLİ FREN

Şalter düğmesinin serbest bırakılması durumunda testere levhası yaklaşık 2 saniye içerisinde elektrikli fren ile durdurulur. Ancak elektrikli fren gecikmeli olarak etki yapabilir. Elektrikli fren ara sıra etkili değildir. Şayet elektrikli fren sık sık etkili olmazsa, testerenin yetkili bir Milwaukee Servisine götürülmesi gerekir. Testere levhası ancak durduktan sonra testerenin aparatından çekilmesi gerekir.

AKÜ

Yeni kartuş aküler ancak 4-5 şarj/deşarj işleminden sonra tam kapasitelerine ulaşırlar. Uzun süre kullanım dışı kalmış kartuş aküleri kullanmadan önce şarj edin.

50°C üzerindeki sıcaklıklar kartuş akünün performansını düşürür. Akünün güneş ışığı veya mekân sıcaklığı altında uzun süre ısınmamasına dikkat edin.

Şarj cihazı ve kartuş aküdeki bağlantı kontaklarını temiz tutun. Akünün ömrünün mükemmel bir şekilde uzun olması için kullandıktan sonra tamamen doldurulması gerekir.

Ömrünün mümkün olduğu kadar uzun olması için akülerin yüklemeye yapıldıktan sonra doldurma cihazından uzaklaştırılması gerekir.

Akünün 30 günden daha fazla depolanması halinde:

Aküyü takriben 27°C'de kuru olarak depolayın.

Aküyü yüklemeye durumunun takriben % 30 - %50 olarak depolayın.

Aküyü her 6 ay yeniden doldurun.

AKÜNÜN AŞIRI YÜKLENMEYE KARŞI KORUNMASI

Pek fazla elektrik tüketimi yapılmak suretiyle aküye fazla yüklenildiğinde, örneğin aşırı devir momentleri, matkap sıkıştırması, aniden durma veya kısa devre, elektrikli alet 2 saniye garip sesler çıkarır ve kendiliğinden durur.

Aleti yeniden çalıştırmak için şalter basılı kolunu serbest bırakın ve bundan sonra tekrar çalıştırın. Aşırı yüklenme durumunda ise akü pek fazla ısınır. Bu durumda akü kendiliğinden durur. Aküyü tekrar doldurmak ve aktif hale getirmek amacı ile şarja bağlayın.

BAKIM

Aletin havalandırma aralıklarını daima temiz tutun.

Sadece Milwaukee aksesuarı ve yedek parçası kullanın. Nasıl değiştirileceği açıklanmamış olan yapı parçalarını bir Milwaukee müşteri servisinde değiştirin (Garanti ve servis adresi broşürüne dikkat edin).

Gerektiğinde cihazın ayrıntılı çizimini, güç levhası üzerindeki makine modelini ve altı haneli rakamı belirterek müşteri servisimizden veya doğrudan Techtronic Industries GmbH, Max-Eyth-Straße 10, 71364 Winnenden, Germany adresinden isteyebilirsiniz.

SEMBOLLER



Lütfen aleti çalıştırmadan önce kullanma kılavuzunu dikkatli biçimde okuyun.



Aletin kendinde bir çalışma yapmadan önce kartuş aküyü çıkarın.



Aksesuar - Teslimat kapsamında değildir, önerilen tamamlayıcı aksesuar programında.



Elektrikli el aletlerini evdeki çöp kutusuna atmayınız! Kullanılmış elektrikli aletleri, elektrik ve elektronik eski cihazlar hakkındaki 2002/96/EC Avrupa yönergelerine göre ve bu yönergeler ulusal hukuk kurallarına göre uyarılanarak, ayrı olarak toplanmalı ve çevre şartlarına uygun bir şekilde tekrar değerlendirilmeye gönderilmelidir.

| TECHNICKÁ DATA | Aku šavlová pila | M18 CSX |
|---|------------------|--------------------------------|
| Výrobní číslo..... | | 4460 71 01 ...000001-999999 |
| Řezná hloubka max. v: | | |
| Měkké dřevo..... | | 300 mm |
| Ocel..... | | 20 mm |
| Hliník..... | | 25 mm |
| Barevné kovy..... | | 25 mm |
| Kovové trubky..... | | 150 mm |
| Počet zdvihů při b. napr..... | | 0-3000 min ⁻¹ |
| Výška zdvihu..... | | 28,6 mm |
| Napětí výměnného akumulátoru..... | | 18 V |
| Hmotnost podle prováděcího předpisu EPTA 01/2003..... | | 4,1 kg |

Informace o hluku / vibracích

Naměřené hodnoty odpovídají EN 60 745.

Typická vážená

Hladina akustického tlaku (K = 3 dB(A)) 84,9 dB (A)

Hladina akustického výkonu (K = 3 dB(A)) 95,9 dB (A)

Používejte chrániče sluchu !

Celkové hodnoty vibrací (vektorový součet tří směrů) zjištěné ve smyslu EN 60745.

Hodnota vibračních emisí a_h

Rezáni dřevěných trámů 16,7 m/s²

Kolisavost K 1,5 m/s²

Rezáni dřevotřísky 22,3 m/s²

Kolisavost K 3,0 m/s²

VAROVÁNÍ

Úroveň chvění uvedená v tomto návodu byla naměřena podle metody měření stanovené normou EN 60745 a může být použita pro porovnání elektrického nářadí. Hodí se také pro průběžný odhad zatížení chvěním.

Uvedená úroveň chvění představuje hlavní účely použití elektrického nářadí. Jestliže se ale elektrické nářadí používá pro jiné účely, s odlišnými nástroji nebo s nedostatečnou údržbou, může se úroveň chvění odlišovat. To může značně zvýšit zatížení chvěním během celé pracovní doby.

Pro přesný odhad zatížení chvěním se musí také zohlednit časy, během kterých je přístroj vypnutý nebo kdy je sice v chodu, ale skutečně se s ním nepracuje. To může zatížení chvěním během celé pracovní doby značně snížit.

Stavte doplňková bezpečnostní opatření pro ochranu obsluhy před účinky chvění jako například: technická údržba elektrického nářadí a nástrojů, udržování teploty rukou, organizace pracovních procesů.

⚠ UPOZORNĚNÍ! Přečtěte si všechny bezpečnostní pokyny a návody. Zanedbání při dodržování varovných upozornění a pokynů mohou mít za následek úder elektrickým proudem, požár a/nebo těžká poranění.
Všechna varovná upozornění a pokyny do budoucna uschovejte.

SPECIÁLNÍ BEZPEČNOSTNÍ UPOZORNĚNÍ

Používejte chrániče sluchu. Působením hluku může dojít k poškození sluchu.

Při provádění prací, při kterých nástroj může narazit na skryta elektrická vedení, držte přístroj za izolované přídržovací plošky. Kontakt s vedením pod napětím přivádí napětí i na kovové díly stroje a vede k elektrickému úderu.

Při práci se strojem neustále nosit ochranné brýle. Doporučuje se používat ochranné rukavice, pevnou protiskluzovou obuv a zástěru.

Pokud stroj běží, nesmí být odstraňovány třísky nebo odštěpky.

Bezpodmínečně používat ochranná zařízení přímočaré pily.

Prach vznikající při práci s tímto nářadím může být zdraví škodlivý. Proto by neměl přijít do styku s tělem. Používejte při práci vhodnou ochranou masku.

Popraskané nebo zdeformované pilové listy nesmí být používány!

Takzvané ponorné fezy jsou možné jen u měkkých materiálů. Zapneme nástroj a nasadíme ho na vodič třmen, jednou rukou dobře přidržujeme kryt a druhou rukou zatlačíme ovladač nahoru a zanoříme pilový list.

Při řezání přiložte na kus vodič úhelník.

Při vrtání do zdi, stropu nebo podlahy dávat pozor na elektrické kabely, plynová a vodovodní potrubí.

Použitě nevyhazujte do domovního odpadu nebo do ohně. Milwaukee nabízí ekologickou likvidaci starých článků, ptejte se u vašeho obchodníka s nářadím.

Náhradní akumulátor neskladujte s kovovými předměty, nebezpečí zkratu.

Akumulátor systému V-Tec nabíjejte pouze nabíječkou systému V-Tec. Nenabíjejte akumulátory jiných systémů.

V nabíjecím postu nabíječky neskladujte kovové předměty, nebezpečí zkratu.

Náhradní akumulátory ani nabíječku neotvírejte, skladujte je v suchu, chraňte před vlhkem.

Při extrémní zátěži či vysoké teplotě může z akumulátoru vytékat kapalina. Při zasažení touto kapalinou okamžitě zasažená místa omyjte vodou a mýdlem. Při zasažení očí okamžitě důkladně po dobu alespoň 10min. omývat a neodkladně vyhledat lékaře.

CE-PROHLÁŠENÍ O SHODĚ

Výhradně na vlastní zodpovědnost prohlašujeme, že se výrobek popsaný v „Technických údajích“ shoduje se všemi relevantními předpisy směrnice 2011/65/EU (RoHS), 2006/42/ES, 2004/108/ES a s následujícími harmonizovanými normativními dokumenty:

EN 60745-1:2009 + A11:2010

EN 60745-2-11:2010

EN 55014-1:2006 + A1:2009 + A2:2011

EN 55014-2:1997 + A1:2001 + A2:2008

Winnenden, 2013-07-01



Alexander Krug
Managing Director



Zplnomocněn k sestavování technických podkladů.

Techtronic Industries GmbH

Max-Eyth-Straße 10

71364 Winnenden

Germany

OBLAST VYUŽITÍ

Šavlová pila řeže dřevo, plasty a kov. Řeže přímkové, v křivkách a vnitřní průřezy. Řeže trubky a odděluje plochy.

Toto zařízení lze používat jen pro uvedený účel.

ELEKTRICKÁ BRZDA

Při uvolnění spínacího tlačítka elektrická brzda během cca 2 sekund zastaví pilový list. Elektrická brzda však může účinkovat s časovou prodlevou. Pokud elektrická brzda opakovaně selže, musí se pila odnést do autorizovaného servisu Milwaukee.

Pilu z řezaného dílu vyjměte teprve po zastavení pilového listu.

AKUMULÁTORY

Nový akumulátor dosáhne plné kapacity po 4 - 5 nabíjecích cyklech. Dále nepoužívané akumulátory je nutné před použitím znovu nabít.

Teplota přes 50°C snižuje výkon akumulátoru. Chraňte před dlouhým přehříváním na slunci či u topení.

Kontakty nabíječky a akumulátoru udržujte v čistotě.

Optimální životnost akumulátorů se zajistí, když se po použití vždy plně nabijí.

K zabezpečení dlouhé životnosti by se akumulátory měly po nabíti vyjmout z nabíječky.

Při skladování akumulátoru po dobu delší než 30 dní:

Skladujte akumulátor v suchu při cca 27°C.

Skladujte akumulátor při cca 30%-50% nabíjecí kapacity.

Opakujte nabíjení akumulátoru každých 6 měsíců.

OCHRANA PROTI PŘETÍŽENÍ AKUMULÁTORU

Při přetížení akumulátoru přilíš vysokým odběrem proudu, například při extrémně vysokých točivých momentech, při blokování vrtáku, náhlém zastavení nebo zkratu, začne vrtáčka na 2 sekundy bruchet a poté se samočinně vypne.

K opětovnému zapnutí uvolněte spínací tlačítko a poté jej opět zapněte.

Při extrémním zatížení se akumulátor může silně zahřát.

Dojde-li k tomu, akumulátor se vypne.

Akumulátor v tomto případě k dobíti a aktivaci vložte opět do nabíječky.

ÚDRŽBA

Větrací štěrby nářadí udržujeme stále čisté.

Používat výhradně příslušenství Milwaukee a náhradní díly Milwaukee. Díly jejichž výměny nebyla popsána, nechte vyměnit v autorizovaném servisu (viz: "Záruky / Seznam servisních míst")

V případě potřeby si můžete v servisním centru pro zákazníky nebo přímo od firmy Techtronic Industries GmbH, Max-Eyth-Straße 10, 71364 Winnenden, Německo vyžádat schematický náčrt jednotlivých dílů přístroje, když uvedete typ přístroje a šestimístné číslo na výkonovém štítku.

SYMBOLY



Před spuštěním stroje si pečlivě přečtěte návod k používání.



Před zahájením veškerých prací na vrtacím šroubováku vyjmout výměnný akumulátor.



Příslušenství není součástí dodávky, viz program příslušenství.



Elektrické nářadí nevyhazujte do komunálního odpadu! Podle evropské směrnice 2002/96/EC o nakládání s použitými elektrickými a elektronickými zařízeními a odpovídajících ustanovení právních předpisů jednotlivých zemí se použitá elektrická nářadí musí sbírat odděleně od ostatního odpadu a podrobit ekologicky šetrnému recyklování.

TECHNICKÉ ÚDAJE Akumulátorová šablňová píla M18 CSX

| | |
|---|--------------------------|
| Výrobné číslo..... | 4460 71 01 |
| | ...00001-999999 |
| Max. hĺbka rezu v: | |
| Mäkké drevo..... | 300 mm |
| Oceľ..... | 20 mm |
| hliník..... | 25 mm |
| Neželezný kov..... | 25 mm |
| Kovová rúra..... | 150 mm |
| Počet zdvihov naprázdno..... | 0-3000 min ⁻¹ |
| Výška zdvíhu..... | 28,6 mm |
| Napätie výmenného akumulátora..... | 18 V |
| Hmotnosť podľa vykonávacieho predpisu EPTA 01/2003..... | 4,1 kg |

Informácia o hluku / vibráciách

Namerané hodnoty určené v súlade s EN 60 745.

A-ohodnotená hladina akustického tlaku prístroja cini

Hladina akustického tlaku (K=3 dB(A))..... 84,9 dB (A)

Hladina akustického výkonu (K=3 dB(A))..... 95,9 dB (A)

Používajte ochranu sluchu!

Celkové hodnoty vibrácií (vektorový súčet troch smerov) zistené v zmysle EN 60745.

Hodnota vibračných emisí a_h

Rezanie drevených trámov..... 16,7 m/s²

Kolisavosť K..... 1,5 m/s²

Rezanie trieskovej doske..... 22,3 m/s²

Kolisavosť K..... 3,0 m/s²

POZOR

Úroveň vibrácií uvedená v týchto pokynoch bola nameraná meracou metódou, ktorú stanovuje norma EN 60745 a je možné ju použiť na vzájomné porovnanie elektrického náradia. Hodí sa aj na predbežné posúdenie kmitavého namáhania.

Uvedená úroveň vibrácií reprezentuje hlavné aplikácie elektrického náradia. Ak sa však elektrické náradie používa pre iné aplikácie, s odlišnými vloženými nástrojmi alebo s nedostatočnou údržbou, môže sa úroveň vibrácií líšiť. Toto môže kmitavé namáhanie v priebehu celej pracovnej doby podstatne zvýšiť.

Pre presný odhad kmitavého namáhania by sa mali tiež zohľadniť doby, v ktorých je náradie vypnuté alebo je síce v chode, ale v skutočnosti sa nepoužíva. Toto môže kmitavé namáhanie v priebehu celej pracovnej doby zreteľne redukovať.

Stanovte dodatočné bezpečnostné opatrenia pre ochranu obsluhy pred účinkami vibrácií, ako napríklad: údržba elektrického náradia a vložených nástrojov, udržiavanie teploty rúk, organizácia pracovných postupov.

⚠ UPOZORNENIE! Prečítajte si všetky bezpečnostné pokyny a návody. Zanedbanie dodržiavania Výstražných upozornení a pokynov uvedených v nasledujúcom texte môže mať za následok zásah elektrickým prúdom, spôsobiť požiar a/alebo ťažké poranenie.

Tieto Výstražné upozornenia a bezpečnostné pokyny starostlivo uschovajte na budúce použitie.

ŠPECIÁLNE BEZPEČNOSTNÉ POKYNY

Používajte ochranu sluchu. Pôsobenie hluku môže spôsobiť stratu sluchu.

Pri realizovaní prác, pri ktorých nástroj môže naraziť na skryté elektrické vedenia, držte prístroj za izolované pridrôzovacie plošky. Kontakt s vedením, ktoré je pod napätím, spôsobí, že aj kovové súčiastky náradia sa dostanú pod napätie, čo má za následok zásah elektrickým prúdom.

Pri práci so strojom vždy noste ochranné okuliare. Odporúčame ochranné rukavice, pevnú protišmykovú obuv a zásteru.

Triesky alebo úlomky sa nesmú odstraňovať za chodu stroja.

Ochranné zariadenie stroja bezpodmienečne používať

Prach vznikajúci pri práci môže byť škodlivý zdraviu. Pri práci nosiť vhodnú ochrannú masku, aby sa nedostal do ľudského organizmu.

Popraskané pilové listy alebo také, ktoré zmenili tvar, nesmú sa použiť.

Ponorné pílenie je možné len v mäkkších materiáloch (drevo, ľahké stavebné materiály pre steny), v tvrdších materiáloch (kovy) sa musí vyvrtať najprv diera odpovedajúca veľkosti pilového listu.

Vodiaci oblúk musí pri pílení vždy doliehať na obrobok.

Pri práci v stene, strope alebo v podlahe dávajte pozor na elektrické káble, plynové a vodovodné potrubia.

Opotrebované výmenné akumulátory nezahadzujte do ohňa alebo medzi domový odpad. Milwaukee ponúka likvidáciu starých výmenných akumulátorov, ktorá je v súlade s ochranou životného prostredia; informujte sa u Vášho predajcu.

Výmenné akumulátory neskladovať spolu s kovovými predmetmi (nebezpečenstvo skratu).

Výmenné akumulátory systému V-Tec nabíjaj len nabíjacími zariadeniami systému V-Tec. Akumulátory iných systémov týmto zariadením nenabíjaj.

Do zasúvacieho otvoru pre výmenné akumulátory na nabíjacom zariadení, sa nesmú dostať žiadne kovové predmety (nebezpečenstvo skratu).

Výmenné akumulátory a nabíjacie zariadenia neatvárať a skladovať len v suchých priestoroch. Chrániť pred vlhkosťou.

Pri extrémnych záťažach alebo extrémnych teplotách môže dôjsť k vytečeniu batériovej tekutiny z poškodeného výmenného akumulátora. Ak dôjde ku kontaktu pokožky s roztokom, postihnute miesto umyť vodou a mydlom. Ak sa roztok dostane do očí, okamžite ich dôkladne vypláchnuť po dobu min. 10 min a bezodkladne vyhľadať lekára.

CE - VYHLÁSENIE KONFORMITY

Výhradne na vlastnú zodpovednosť vyhlasujeme, že výrobok popísaný v „Technických údajoch“ sa zhoduje so všetkými relevantnými predpismi smernice 2011/65/EU (RoHS), 2006/42/EC, 2004/108/EC a nasledujúcimi harmonizujúcimi normatívnymi dokumentmi:

EN 60745-1:2009 + A11:2010

EN 60745-2-11:2010

EN 55014-1:2006 + A1:2009 + A2:2011

EN 55014-2:1997 + A1:2001 + A2:2008

Winnenden, 2013-07-01



Alexander Krug
Managing Director



Spĺnomocnený zostaviť technické podklady.

Techtronic Industries GmbH

Max-Eyth-Straße 10

71364 Winnenden

Germany

POUŽITIE PODĽA PREDPISOV

Šablňovitá píla pili drevo, plast a kov. Píli priamky, krivky a vnútorné výrezy. Reže rúry a plošne oddeľuje.

Tento prístroj sa smie používať len v súlade s uvedenými predpismi.

ELEKTRICKÁ BRZDA

Pri uvoľnení spínacieho tlačidla elektrická brzda behom cca 2 sekúnd zastaví pilový list. Elektrická brzda však môže účinkovať s časovým spozdením. Pokiaľ elektrická brzda opakovane zlyhá, musí sa píla odniesť do autorizovaného servisu Milwaukee.

Pílu z rezaného dielu vyberte až po zastavení pilového listu.

AKUMULÁTORY

Nové výmenné akumulátory dosiahnu svoju maximálnu kapacitu po 4-5 nabitách a vybitiach. Dlhší čas nepoužívané výmenné akumulátory pred použitím dobiť.

Teplota vyššia ako 50°C znižuje výkon výmenného akumulátora. Zabráňte dlhšiemu ohriatiu slnkom alebo kúrením.

Pripájacie kontakty na nabíjacom zariadení a výmennom akumulátore udržiavať čisté.

K zachovaniu optimálnej životnosti se baterie musejí po použití vždy úplne dobiť.

K zabezpečeniu dlhej životnosti by sa akumulátory mali po nabití vybrať z nabíjačky.

Pri skladovaní akumulátora po dobu dlhšiu než 30 dní:

Skladujte akumulátor v suchu pri cca 27°C.

Skladujte akumulátor pri cca 30%-50% nabíjacej kapacity.

Opakujte nabíjanie akumulátora každých 6 mesiacov.

OCHRANA PROTI PREŤAŽENIU AKUMULÁTORA

Pri preťažení akumulátora príliš vysokým odberom prúdu, napríklad pri extrémne vysokých točivých momentoch, pri blokovaní vrtáka, náhlom zastavení alebo skrate, začne vrtáčka na 2 sekundy hučať a potom sa samočinne vypne.

K opätovnému zapnutiu uvoľnite spínacie tlačidlo a potom ho opäť zapnite.

Pri extrémnom zaťažení sa akumulátor môže silne zahriať. Ak k tomu dôjde, akumulátor sa vypne.

Akumulátor v tomto prípade k dobitiu a aktivácii vložte opäť do nabíjačky.

ÚDRZBA

Vetracie otvory udržiavať stále v čistote.

Používať len Milwaukee príslušenstvo a Milwaukee náhradné diely. Súčiastky bez návodu na výmenu treba dať vymeniť v jednom z Milwaukee zákazníckych centier (viď brožúru Záruka/ Adresy zákazníckych centier).

V prípade potreby si môžete v servisnom centre pre zákazníkov alebo priamo od firmy Techtronic Industries GmbH, Max-Eyth-Straße 10, 71364 Winnenden, Nemecko, vyžiadať schematický náčrt jednotlivých dielov prístroja pri uvedení typu prístroja a šesťmiestneho čísla na výkonovom štítku.

SYMBOLY

Pred prvým použitím prístroja si pozorne prečítajte návod na obsluhu.



Pred každou prácou na stroji výmenný akumulátor vytahnúť.



Príslušenstvo - nie je súčasťou štandardnej výbavy, odporúčané doplnenie z programu príslušenstva.



Elektrické náradie nevyhadzujte do komunálneho odpadu! Podľa európskej smernice 2002/96/ES o nakladaní s použitými elektrickými a elektronickými zariadeniami a zodpovedajúcich ustanovení právnych predpisov jednotlivých krajín sa použité elektrické náradie musí zbierať oddelene od ostatného odpadu a podrobiť ekologicky šetrnej recyklácii.

| DANE TECHNICZNE | Pilarka szablata akumulatorowa | M18 CSX |
|---------------------------------------|--------------------------------|------------------|
| Numer produkcyjny..... | 4460 71 01 | ...000001-999999 |
| Maksymalna głębokość cięcia | | |
| Drewno miękkie | 300 mm | |
| Stal..... | 20 mm | |
| Aluminium | 25 mm | |
| Metale nieżelazne | 25 mm | |
| Rury metalowe..... | 150 mm | |
| Skok bez obciążenia..... | 0-3000 min ⁻¹ | |
| Długość skoku..... | 28,6 mm | |
| Napięcie baterii akumulatorowej..... | 18 V | |
| Ciężar wg procedury EPTA 01/2003..... | 4,1 kg | |

Informacja dotycząca szumów/wibracji

Zmierzone wartości wyznaczono zgodnie z normą EN 60 745.

Typowy poziom ciśnienia akustycznego mierzony wg krzywej A:

Poziom ciśnienia akustycznego (K=3 dB(A))..... 84,9 dB (A)

Poziom mocy akustycznej (K=3 dB(A))..... 95,9 dB (A)

Należy używać ochroniaczy uszu!

Wartości łączne drgań (suma wektorowa trzech kierunków) wyznaczone zgodnie z normą EN 60745

Wartość emisji drgań a_w

Przecinanie belek drewnianych..... 16,7 m/s²

Niepewność K..... 1,5 m/s²

Piłowanie płyty wiórowej..... 22,3 m/s²

Niepewność K..... 3,0 m/s²

OSTRZEŻENIE

Podany w niniejszych instrukcjach poziom drgań został zmierzony za pomocą metody pomiarowej zgodnej z normą EN 60745 i może być użyty do porównania ze sobą elektronarzędzi. Nadaje się on również do tymczasowej oceny obciążenia wibracyjnego.

Podany poziom drgań reprezentuje główne zastosowania elektronarzędzia. Jeśli jednakże elektronarzędzie użyte zostanie do innych celów z innymi narzędziami roboczymi lub nie jest dostatecznie konserwowane, wtedy poziom drgań może wykazywać odchylenia. Może to wyraźnie zwiększyć obciążenie wibracjami przez cały okres pracy.

Dla dokładnego określenia obciążenia wibracjami należy uwzględnić również czasy, w których urządzenie jest wyłączone względnie jest włączone, lecz w rzeczywistości nie pracuje. Może to spowodować wyraźną redukcję obciążenia wibracyjnego w całym okresie pracy.

Należy wprowadzić dodatkowe środki zapobiegawcze celem ochrony obsługującego przed oddziaływaniem drgań, jak na przykład: konserwacja narzędzi roboczych i elektronarzędzi, nagrzanie rąk, organizacja przebiegu pracy.

⚠ OSTRZEŻENIE! Należy przeczytać wszystkie wskazówki dotyczące bezpieczeństwa i instrukcje. Błędy w przestrzeganiu poniższych wskazówek mogą spowodować porażenie prądem, pożar i/lub ciężkie obrażenia ciała. **Należy starannie przechowywać wszystkie przepisy i wskazówki bezpieczeństwa dla dalszego zastosowania.**

INSTRUKCJE DOTYCZĄCE BEZPIECZEŃSTWA

Stosować środki ochrony słuchu! Narażenie na hałas może spowodować utratę słuchu.

Trzymaj urządzenie za izolowane powierzchnie chwytne gdy wykonujesz roboty, w trakcie których narzędzie skrawające może natrafić na ukryte przewody prądowe. Kontakt z przewodami pod napięciem wprowadza również metalowe części urządzenia pod napięcie i prowadzi do porażenia prądem.

Podczas pracy należy zawsze nosić okulary ochronne. Zalecane jest także noszenie rękawic, mocnego, nie ślizgającego się obuwia oraz ubrania roboczego.

Podczas pracy elektronarzędzia nie wolno usuwać trocin ani drzazg.

Zawsze stosować osłony ochronne na elektronarzędziu.

Kurz powstający przy pracy z tym elektronarzędziem może być szkodliwy dla zdrowia, w związku z tym nie powinien dotrzeć do ciała. Nosić odpowiednią maskę przeciwpyłową.

Nie używać pękniętych lub zniekształconych brzeszczotów!

Wykonywanie cięć wgłębnych bez uprzedniego nawiercenia otworu możliwe jest tylko w materiałach miękkich (drewno, lekkie materiały budowlane na ściany). W twardszych materiałach (metalach) należy najpierw wywiercić otwór odpowiadający rozmiarowi brzeszczotu.

Podczas cięcia prowadnica musi się zawsze stykać z obrabianym materiałem.

Podczas pracy przy ścianach, sufitach i podłodze należy uważać na kable elektryczne, przewody gazowe i wodociągowe.

Zużytych akumulatorów nie wolno wrzucać do ognia ani traktować jako odpadów domowych. Milwaukee oferuje ekologiczną utylizację zużytych akumulatorów.

Nie przechowywać akumulatorów wraz z przedmiotami metalowymi (niebezpieczeństwo zwarcia).

Akumulatory Systemu V-Tec należy ładować wyłącznie przy pomocy ładowarek Systemu V-Tec. Nie ładować przy pomocy tych ładowarek akumulatorów innych systemów.

Do ładowarki nie wolno wkładać żadnych przedmiotów metalowych (niebezpieczeństwo zwarcia).

Nie otwierać wkładek akumulatorowych i ładowarek. Przechowywać w suchych pomieszczeniach. Chronić przed wilgocią.

W skrajnych warunkach temperaturowych lub przy bardzo dużym obciążeniu może dochodzić do wycieku kwasu akumulatorowego z uszkodzonych baterii akumulatorowych. W przypadku kontaktu z kwasem akumulatorowym należy natychmiast przemyć miejsce kontaktu wodą z mydłem. W przypadku kontaktu z oczami należy dokładnie przepłukiwać oczy przynajmniej przez 10 minut i zwrócić się natychmiast o pomoc medyczną.

DEKLARACJA ZGODNOŚCI CE

Oświadczamy na naszą wyłączną odpowiedzialność, że produkt opisany w punkcie "Dane techniczne" jest zgodny ze wszystkimi istotnymi przepisami Dyrektywy 2011/65/EU

(RoHS), 2006/42/WE, 2004/108/WE oraz z następującymi zharmonizowanymi dokumentami normatywnymi:

EN 60745-1:2009 + A11:2010

EN 60745-2-11:2010

EN 55014-1:2006 + A1:2009 + A2:2011

EN 55014-2:1997 + A1:2001 + A2:2008

Winnenden, 2013-07-01



Alexander Krug
Managing Director



Upelnomocniony do zestawienia danych technicznych

Techtronic Industries GmbH

Max-Eyth-Straße 10

71364 Winnenden

Germany

WARUNKI UŻYTKOWANIA

Przenośna piła ręczna z napędem elektrycznym do cięcia drewna, tworzyw sztucznych i metalu. Możliwość cięcia po linii krzywej i obcinania równo z powierzchnią.

Produkt można użytkować wyłącznie zgodnie z jego normalnym przeznaczeniem.

HAMULEC ELEKTRYCZNY

Po zwolnieniu przycisku wyłącznika brzeszczotu piły zostanie zatrzymany za pomocą hamulca elektrycznego w przeciągu ok. 2 sekund. Hamulec elektryczny może działać również z pewnym opóźnieniem. Czasami hamulec elektryczny może nie zadziałać. Jeśli hamulec elektryczny nie działa częściowo, pilarkę należy przekazać do autoryzowanego serwisu firmy Milwaukee. Pilarkę można wyciągnąć z obrabianego przedmiotu dopiero po zatrzymaniu brzeszczotu.

BATERIE AKUMULATOROWE

Nowe baterie akumulatorowe osiągają swoją pełną pojemność po 4 - 5 cyklach ładowania i rozładowywania. Akumulatory, które nie były przez dłuższy czas użytkowane, należy przed użyciem naładować.

W temperaturze powyżej 50°C następuje spadek osiągniętych wkładki akumulatorowej. Unikać długotrwałego wystawienia na oddziaływanie ciepła lub promieni słonecznych (niebezpieczeństwo przegrzania).

Styki ładowarek i wkładek akumulatorowych należy utrzymywać w czystości

W celu zagwarantowania optymalnej żywotności należy po zakończonej eksploatacji naładować akumulatory do pełna.

Dla zapewnienia możliwie długiej żywotności akumulatory należy wyjąć z ładowarki po ich naładowaniu.

W przypadku składowania akumulatorów dłużej aniżeli 30 dni: Przechowywać je w suchym miejscu w temperaturze ok. 27°C. Przechowywać je w stanie naładowanym do ok. 30% - 50%. Ładować je ponownie co 6 miesięcy.

Dla zapewnienia możliwie długiej żywotności akumulatory należy wyjąć z ładowarki po ich naładowaniu.

W przypadku składowania akumulatorów dłużej aniżeli 30 dni: Przechowywać je w suchym miejscu w temperaturze ok. 27°C. Przechowywać je w stanie naładowanym do ok. 30% - 50%. Ładować je ponownie co 6 miesięcy.

ZABEZPIECZENIE PRZECIĄŻENIOWE AKUMULATORA

Przy przeciążeniu akumulatora bardzo dużym prądem na przykład wskutek ekstremalnie dużych momentów obrotowych, zakleszczenia wiertła, nagłego zatrzymania się lub zwarcia narzędzia elektryczne 'buczy' przez 2 sekundy i samoczynnie wyłącza się.

W celu ponownego włączenie należy zwolnić, a następnie ponownie włączyć przycisk wyłącznika.

Pod ekstremalnymi obciążeniami może dojść do silnego nagrzania się akumulatora. W takim wypadku akumulator wyłącza się.

Wówczas należy wetknąć akumulator do ładowarki, aby go ponownie naładować i aktywować.

UTRZYMANIE I KONSERWACJA

Otworki wentylacyjne elektronarzędzia muszą być zawsze drożne.

Używać tylko i wyłącznie wyposażenia dodatkowego Milwaukee i części zamiennych Milwaukee. Gdyby trzeba było wymienić części, które nie zostały opisane, należy skontaktować się z przedstawicielem serwisu Milwaukee (patrz wykaz adresów punktów usługowych/gwarancyjnych).

W razie potrzeby można zamówić rysunek urządzenia w rozłożeniu na części podając typ maszynowy oraz sześciopozycyjny numer na tabliczce znamionowej w Punkcie Obsługi Klienta lub bezpośrednio w firmie Techtronic Industries GmbH, Max-Eyth-Straße 10, 71364 Winnenden, Germany.

SYMBOLS



Przed uruchomieniem elektronarzędzia zapoznać się uważnie z treścią instrukcji.



Przed przystąpieniem do jakichkolwiek prac na elektronarzędziu należy wyjąć wkładkę akumulatorową.



Wyposażenie dodatkowe dostępne osobno.



Nie wyrzucaj elektronarzędzi wraz z odpadami z gospodarstwa domowego! Zgodnie z Europejską Dyrektywą 2002/96/WE w sprawie zużytego sprzętu elektrotechnicznego i elektronicznego oraz dostosowaniem jej do prawa krajowego, zużyte elektronarzędzia należy posegregować i zutylizować w sposób przyjazny dla środowiska.

| MŰSZAKI ADATOK | Akkumulátoros szablyafűrész | M18 CSX |
|---|-----------------------------|-------------------------------|
| Gyártási szám..... | | 4460 71 01 ...00001-999999 |
| Vágásmélység max.: | | |
| Puhafa | | 300 mm |
| Acél | | 20 mm |
| Alumínium | | 25 mm |
| Szinesfém | | 25 mm |
| Fém csövek | | 150 mm |
| Üresjárati löketség | | 0-3000 min ⁻¹ |
| Lökethossz | | 28,6 mm |
| Akkumulátor feszültség | | 18 V |
| Súly a 01/2003 EPTA-eljárás szerint | | 4,1 kg |

Zaj-/Vibráció-információ

A közötti értékek megfelelnek az EN 60 745 szabványnak.

Szabvány szerinti A-értékelésű hangszint:

| | |
|--|-------------|
| Hangnyomás szint (K = 3 dB(A)) | 84,9 dB (A) |
| Hangteljesítmény szint (K = 3 dB(A)) | 95,9 dB (A) |

Hallásvédő eszköz használata ajánlott!

Összesített rezgésértékek (három irány vektorális összege) az EN 60745-nek megfelelően meghatározva.

| | |
|-------------------------------------|-----------------------|
| a _h rezgésemisszió érték | |
| Fagerendák fűrészelése | 16,7 m/s ² |
| K bizonytalanság | 1,5 m/s ² |
| Vágott forgácsolás | 22,3 m/s ² |
| K bizonytalanság | 3,0 m/s ² |

FIGYELMEZTETÉS

A jelen utasításokban megadott rezgésszint értéke az EN 60745-ben szabályozott mérési eljárásnak megfelelően került leírásra, és használható elektromos szerszámokkal történő összehasonlításhoz. Az érték alkalmas a rezgésterhelés elkövetésének megbecsülésére is.

A megadott rezgésszint-érték az elektromos szerszám legfőbb alkalmazásait reprezentálja. Ha az elektromos szerszámot azonban más alkalmazásokhoz, eltérő használt szerszámokkal vagy nem elegendő karbantartással használják, a rezgésszint értéke eltérő lehet. Ez jelentősen megnövelheti a rezgésterhelést a munkavégzés teljes időtartama alatt.

A rezgésterhelés pontos megbecsüléséhez azokat az időket is figyelembe kell venni, melyekben a készülék lekapcsolódik, vagy ugyanolyan módon működik, azonban ténylegesen nincs használatban. Ez jelentősen csökkentheti a rezgésterhelést a munkavégzés teljes időtartama alatt.

Határozzon meg további biztonsági intézkedéseket a kezelő védelmére a rezgések hatása ellen, például: az elektromos és a használt szerszámok karbantartásával, a kezek melegen tartásával, a munkafolyamatok megszerzésével.

▲ FIGYELMEZTETÉS! Olvasson el minden biztonsági útmutatót és utasítást. A következőkben leírt előírások betartásának elmulasztása áramütésekhez, tűzhez és/vagy súlyos testi sérülésekhez vezethet.

Kérjük a későbbi használatra gondosan őrizze meg ezeket az előírásokat.

KÜLÖNLEGES BIZTONSÁGI TUDNIVALÓK

Viseljen hallásvédőt. A zajhatás a hallás elvesztését eredményezheti.

A készüléket a szigetelt markolatfelületeket fogva tartva, ha olyan munkálatokat végez, melyeknél a vágószerzők rejtett elektromos vezetékéhez. Ha a berendezés egy feszültség alatt álló vezetékhez ér, a berendezés fémrészei szintén feszültség alá kerülhetnek és áramütéshez vezethetnek.

Munkavégzés közben ajánlatos védőszemüveget viselni. Védőkesztyű, zárt és csúszásmentes cipő, valamint védőkötény használata szintén javasolt.

A munka közben keletkezett forgácsokat, szilánkokat, törmelékét, stb. csak a készülék teljes leállása után szabad a munkaterületről eltávolítani.

A készülék biztonságtechnikai felszereléseit feltétlenül használni kell.

A munka során keletkező por gyakran egészségre káros, ezért ne kerüljön a szervezetbe. Hordjon e célra alkalmas porvédőmaszkot.

Tilos repedt vagy deformált fűrészlapot használni!

Ún. súllyesztő vágás készítése csak puha anyagba (pl. fa, könnyű falazóanyagok). Kemény anyagok esetében (fémek) egy, a fűrészlap méretének megfelelő furatot kell készíteni.

CE-AZONOSSÁGI NYILATKOZÁS

Egyedüli felelősséggel kijelentjük, hogy a „Műszaki Adatok” alatt leírt termék a 2011/65/EU (RoHS), 2006/42/EK, 2004/108/EK irányelvek minden releváns előírásának, ill. az alábbi harmonizált normatív dokumentumoknak megfelel:

EN 60745-1:2009 + A11:2010
EN 60745-2-11:2010
EN 55014-1:2006 + A1:2009 + A2:2011
EN 55014-2:1997 + A1:2001 + A2:2008

Winnenden, 2013-07-01



Alexander Krug
Managing Director



Műszaki dokumentáció összeállításra felhatalmazva

Technicon Industries GmbH
Max-Eyth-Straße 10
71364 Winnenden
Germany

RENDELTETÉSSZERŰ HASZNÁLAT

Az orrfűrész fa, műanyag és fém fűrészeléséhez használható. Egyenes, kanyar és belső kivágások készítésére alkalmas. A fűrészrel csöveket lehet elvágni, illetve a felületsík darabolást lehet végezni.

A készüléket kizárólag az alábbiakban leírtaknak megfelelően szabad használni.

ELEKTROMOS FÉK

A kapcsológomb elengedésekor az elektromos fék kb. 2 másodpercen belül leállítja a fűrészlapot. Azonban az elektromos fék hatása késleltetett is lehet. Az elektromos fék alkalmazásánál nem hatásos. Amennyiben az elektromos fék gyakrabban nem működik, akkor a fűrészelt arra felhatalmazott Milwaukee szervizbe kell szállítani.

A fűrészelt csak a fűrészlap leállása után húzza ki a munkadarabból.

AKKUK

Új akkumulátor a teljes kapacitást 4-5 töltési/lemerülési ciklus után éri el. A hosszabb ideig üzemben kívül lévő akkumulátort használat előtt ismételtel fel kell tölteni.

50°C feletti hőmérsékletnél csökkenhet az akkumulátor teljesítménye. Kerülni kell a túlzottan meleg helyen vagy napon történő hosszabb idejű tárolást.

A töltő és az akkumulátor csatlakozóit mindig tisztán kell tartani.

Az optimális élettartam érdekében használat után az akkukat teljesen fel kell tölteni.

A lehetőleg hosszú élettartamhoz az akkukat feltöltés után ki kell venni a töltőkészülékből.

Az akku 30 napot meghaladó tárolása esetén:

Az akkut kb. 27 °C-on, száraz helyen kell tárolni.

Az akkut kb. 30-50%-os töltöttségi állapotban kell tárolni.

Az akkut 6 havonta újra fel kell tölteni.

AZ AKKUMULÁTOR TÚLTERHELÉS ELLENI VÉDELME

Az akku túl magas áramfogyasztás miatti, pl. túl nagy forgatónyomatékok, a fűdő megszorulása, hirtelen leállítás következtében fellépő túlterhelése esetén az elektromos szerszám 2 másodpercig zűg, és önműködően lekapcsol. Az újbóli bekapcsoláshoz el kell engedni a kapcsolóbíllentyűt, majd ismét be kell kapcsolni. Extrém mértékű terhelés esetén az akku erősen felforrósodhat. Ebben az esetben az akku lekapcsol. Az ismételt feltöltéshez és aktiváláshoz ekkor dugja az akkut a töltőkészülékbe.

KARBANTARTÁS

A készülék szellőzőnyílásait mindig tisztán kell tartani.

Csak Milwaukee tartozékokat és Milwaukee pótalkatrészeket szabad használni. Az olyan elemeket, melyek cseréje nincs ismertetve, cseréltesse ki Milwaukee szervizzel (lásd Garancia/Ügyfélszolgálat címei kiadványt).

Igény esetén a készülékről robbantott rajz kérhető a géptípus és a teljesítménycímeként található hatjegyző szám megadásával az Ön vevőszolgálatánál, vagy közvetlenül a Technicon Industries GmbH-től a Max-Eyth-Straße 10, 71364 Winnenden, Németország címen.

SZIMBÓLUMOK



Kérjük alaposan olvassa el a tájékoztatót mielőtt a gépet használja.



Karbantartás, javítás, tisztítás, stb. előtt az akkumulátort ki kell venni a készülékből.



Azokat a tartozékokat, amelyek gyárilag nincsenek a készülékhez mellékelve, külön lehet megrendelni.



Az elektromos kéziszerszámokat ne dobja a háztartási szemétkébe! A használt villamos és elektronikai készülékekről szóló 2002/96/EK irányelv és annak a nemzeti jogba való átültetése szerint az elhasznált elektromos kéziszerszámokat külön kell gyűjteni, és környezetbarát módon újra kell hasznosítani.

| TEHNIČNI PODATKI | Baterijske žage lisičji rep | M18 CSX |
|---|-----------------------------|------------------|
| Proizvodna številka..... | 4460 71 01 | ...000001-999999 |
| Globina reza maks. v: | | |
| Mehki les | 300 mm | |
| Jeklo | 20 mm | |
| Aluminij | 25 mm | |
| Barvna kovina..... | 25 mm | |
| Kovinska cev | 150 mm | |
| Število dvigov v prostem teku..... | 0-3000 min ⁻¹ | |
| Višina dviga | 28,6 mm | |
| Napetost izmenljivega akumulatorja..... | 18 V | |
| Teža po EPTA-proceduri 01/2003..... | 4,1 kg | |

Informacije o hrupnosti/vibracijah

Vrednosti merjenja ugotovljene ustrezno z EN 60 745.

A ocenjeni nivo zvočnega tlaka znaša tipično

Nivo zvočnega tlaka (K = 3 dB(A))..... 84,9 dB (A)

Višina zvočnega tlaka (K = 3 dB(A))..... 95,9 dB (A)

Nosite zaščito za sluh!

Skupna vibracijska vrednost (Vektorska vsota treh smeri) določena ustrezno EN 60745.

Vibracijska vrednost emisij a_h

Žaganje lesenih tramov..... 16,7 m/s²

Nevarnost K..... 1,5 m/s²

Žaganje iverne plošče..... 22,3 m/s²

Nevarnost K..... 3,0 m/s²

OPOZORILO

V teh navodilih navedena raven tresljajev je bila izmerjena po EN60745 normiranem merilnem postopku in lahko služi medsebojni primerjavi električnih orodij. Prav tako je primeren za predhodno oceno obremenitve s tresljaji.

Navedena raven tresljajev navaja najpomembnejše vrste rabe električnega orodja. Kadar se električno orodje uporablja za drugačne namene, z odstopajočimi orodji ali pa z nezadostnim vzdrževanjem, lahko raven tresljajev tudi odstopa. Le to lahko čez celoten delovni čas znatno zviša obremenitev s tresenjem.

Za natančno oceno obremenitve s tresljaji naj bi se upošteval tudi čas v katerem je naprava izklopljena ali sicer teče, vendar dejansko ni v rabi. Le to lahko obremenitev s tresljaji čez celoten delovni čas znatno zmanjša.

Za zaščito upravljalca pred učinkom tresljajev uvedite dodatne zaščitne ukrepe npr.: Vzdrževanje električnega orodja in orodja, delo s toplimi rokami, organizacija delovnih potekov.

⚠ OPOZORILO! Preberite vsa varnostna opozorila in navodila. Napake zaradi neupoštevanja spodaj navedenih opozoril in napotil lahko povzročijo električni udar, požar in/ali težke telesne poškodbe.
Vsa opozorila in napotila shranite, ker jih boste v prihodnje še potrebovali.

SPECIALNI VARNOSTNI NAPOTKI

Nosite zaščito za sluh. Razvijanje hrupa lahko povzroči izgubo sluha.

Kadar izvajate dela pri katerih lahko orodje zadane prikrilo električno napeljavo, je napravo potrebno držati za izolirane prijemalne površine.

Stik z električnim vodnikom, ki je pod napetostjo, povzroči napetost tudi v kovinskih delih naprave, kar ima za posledico električni udar.

Pri delu s strojem vedno nosite zaščitna očala. Priporočamo zaščitne rokavice, trdno obuvalo, varno proti drsenju ter predpasnik.

Trske ali iveri se pri tekočem stroju ne smejo odstranjevati.

Brezpogojno uporabljajte zaščitne priprave stroja.

Prah, ki nastaja pri delu, je pogosto zdravju škodljiv in naj ne zaide v telo. Nosite ustrezno masko proti prahu.

Napokani listi žage in taki, ki so spremenili svojo obliko, se ne smejo uporabljati!

Potopno žaganje je možno samo v mehkih materialih (les, lahki gradbeni material za stene), pri trših materialih (kovine) se mora pripraviti vrtina, ki odgovarja listu žage.

Vodilni locen naj se pri žaganju vedno prilega k obdelovalnemu kosu.

Pri delih na steni, stropu ali v tleh pazite na električne kable, plinske in vodne napeljave.

Izrbljenih izmenljivih akumulatorjev ne mečite v ogenj ali v gospodinjске odpadke. Milwaukee nudi okolju prijazno odlaganje starih izmenljivih akumulatorjev; prosimo povprašajte vašega strokovnega trgovca.

Izmenljivih akumulatorjev ne hranite skupaj s kovinskimi predmeti (nevarnost kratkega stika).

Izmenljive akumulatorje sistema V-Tec polnite samo s polnilnimi aparati sistema V-Tec. Ne polnite nobenih akumulatorjev iz drugih sistemov.

V odprtno za nameščanje izmenljivih akumulatorjev na polnilnih aparatih ne smejo zaiti nikakršni kovinski deli (nevarnost kratkega stika).

Izmenljivih akumulatorjev in polnilnih aparatov ne odpirajte in jih hranite samo v suhih prostorih. Zaščitite jih pred mokroto.

Pod ekstremno obremenitvijo ali ob ekstremni temperaturi iz poškodovanega izmenljivega akumulatorja lahko izteka akumulatorska tekočina. Po stiku z akumulatorsko tekočino prizadeto mesto takoj izperite z vodo in milom. Po stiku z očmi takoj najmanj 10 minut dolgo temeljito izpirajte in nemudoma obiščite zdravnika.

CE-IZJAVA O KONFORMNOSTI

V lastni odgovornosti izjavljamo, da se pod "Tehnični podatki" opisan proizvod ujema z vsemi relevantnimi predpisi smernice 2011/65/EU (RoHS), 2006/42/ES, 2004/108/ES in s sledečimi harmoniziranimi normativnimi dokumenti:

EN 60745-1:2009 + A11:2010

EN 60745-2-11:2010

EN 55014-1:2006 + A1:2009 + A2:2011

EN 55014-2:1997 + A1:2001 + A2:2008

Winnenden, 2013-07-01

Alexander Krug

Alexander Krug
Managing Director



Pooblaščen za izdelavo spisov tehnične dokumentacije.

Techtronic Industries GmbH

Max-Eyth-Straße 10

71364 Winnenden

Germany

UPORABA V SKLADU Z NAMEDBNOSTJO

Sabljava žaga žaga les, umetno mašo in kovino. Reže naravnost, zajere in notranje izreze. Žaga cevi in ločuje s ploskim robom.

Ta naprava se sme uporabiti samo v skladu z namedbnostjo uporabiti samo za navede namene.

ELEKTRIČNA ZAVORA

Pri izpustu pritisnega stikala se žagin list v ca. 2 sekundah s pomočjo električne zavore ustavi. Vendar lahko zavora učinkuje tudi zakasnjeno. Električna zavora včasih ni učinkovita. V kolikor električna zavora pogosteje ne bi učinkovala, je žago potrebno odnesti v avtoriziran Milwaukee servis. Žago izvlečemo iz obdelovanca šele po zaustavitvi žaginega lista.

AKUMULATORJI

Novi izmenljivi akumulatorji dosežejo svojo polno kapaciteto po 4 – 5 ciklih polnjenja in praznjenja. Izmenljive akumulatorje, ki jih daljši čas niste uporabljali, pred uporabo naknadno napolnite.

Temperatura nad 50°C zmanjšuje zmogljivost izmenljivega akumulatorja. Izogibajte se daljšemu segrevanju zaradi sončnih žarkov ali gretja.

Pazite, da ostanejo priključni kontakti na polnilnem aparatu in izmenljivem akumulatorju čisti.

Za optimalno življenjsko dobo je akumulatorje potrebno po uporabi napolniti do konca.

Za čim daljšo življenjsko dobo naj se akumulatorji po napolnitvi vzamejo ven iz naprave za polnjenje.

Pri skladiščenju akumulatorjev dalj kot 30 dni:

Akumulator skladiščiti pri 27°C in na suhem.

Akumulator skladiščiti pri 30%-50% stanja polnjenja.

Akumulator spet napolniti vsakih 6 mesecev.

ZAŠČITA PREOBREMENITVE AKUMULATORJA

V primeru preobremenitve akumulatorjev zaradi zelo visoke porabe toka, npr. ekstremno visokih vrtilnih momentov, zatika svedra, nenadne zaustavitve ali kratkega stika, električno orodje 2 sekundi bmi in se samodejno izklopi.

Za ponoven vklop izpusite tipko stikala in nato znova vklopite. Pod ekstremnimi obremenitvami se lahko akumulator močno segreje. V tem primeru se akumulator izklopi.

Za ponovno polnitev in aktiviranje akumulatorja ga je potrebno vstaviti v polnilec.

VZDRŽEVANJE

Pazite na to, da so prezačevalne reže stroja vedno čiste.

Uporabljajte samo Milwaukee pribor in Milwaukee nadomestne dele. Poskrbite, da sestavne dele, katerih zamenjava ni opisana, zamenjajo v Milwaukee servisni službi (upoštevajte brošuro Garancija/Naslovi servisnih služb).

Po potrebi je mogoče pri vašem servisnem mestu ali neposredno pri Techtronic Industries GmbH, Max-Eyth-Straße 10, 71364 Winnenden, Germany, naročiti eksplozijsko ribso naprave ob navedbi tipa stroja in na tablici navedene šestmestne številke.

SIMBOLI



Prosimo, da pred uporabo pozorno preberete to navodilo za uporabo.



Pred vsemi deli na stroji odstranite izmenljivi akumulator.



Oprema – ni vsebovana v obsegu dobave, priporočeno dopolnilo iz programa opreme.



Elektricnega orodja ne odstranjujte s hišnimi odpadki! V skladu z Evropsko direktivo 2002/96/EC o odpadni elektrici in elektronski opremi in z njenim izvajanjem v nacionalni zakonodaji je treba električna orodja ob koncu njihove življenjske dobe loceno zbirati in jih predati v postopek okolju prijaznega recikliranja.

| TEHNIČKI PODACI | Sabljasta pila sa akumulatorom | M18 CSX |
|---------------------------------------|--------------------------------|--------------------|
| Broj proizvodnje..... |4460 71 01 |000001-999999 |
| Dubina rezanja max. u: | | |
| Mekano drvo..... |300 mm | |
| Čelik..... |20 mm | |
| Aluminij..... |25 mm | |
| Obojeni metal..... |25 mm | |
| Metalne cijevi..... |150 mm | |
| Broj hodova praznog hoda..... |0-3000 min ⁻¹ | |
| Visina hoda..... |28,6 mm | |
| Napon baterije za zamjenu..... |18 V | |
| Težina po EPTA-proceduri 01/2003..... |4,1 kg | |

Informacije o buci/vibracijama

Mjerne vrijednosti utvrđene odgovarajuće EN 60 745.

A-procjenjeni nivo pritiska zvuka aparata iznosi tipično

nivo pritiska zvuka (K=3 dB(A)).....84,9 dB (A)

nivo učinka zvuka (K=3 dB(A)).....95,9 dB (A)

Nositi zaštitu sluha!

Ukupne vrijednosti vibracije (Vektor suma tri smjera) su odmjerene odgovarajuće EN 60745

Vrijednost emisije vibracije a_h

Piljenje drvenih balvana.....16,7 m/s²

Nesigurnost K.....1,5 m/s²

Rezanje drva iverice.....22,3 m/s²

Nesigurnost K.....3,0 m/s²

UPOZORENJE

Ova u ovim uputama navedena razina titranja je bila izmjerena odgovarajuće jednom u EN 60745 normiranom mjernom postupku i može se upotrijebiti za usporedbu električnog alata međusobno. Ona je prikladna i za privremenu procjenu titrajnog opterećenja.

Navedena razina titranja reprezentira glavne primjene električnog alata. Ukoliko se električni alat upotrebljava u druge svrhe sa odstupajućim primijenjenim alatima ili nedovoljnim održavanjem, onda razina titranja može odstupati. To može titrajno opterećenje kroz cijeli period rada bitno povisiti.

Za točnu procjenu titrajnog opterećenja se moraju uzeti u obzir i vremena u kojima je uređaj isključen ili u kojima doduše radi, ali nije i stvarno u upotrebi. To može titrajno opterećenje bitno smanjiti za vrijeme cijelog radnog perioda.

Utvrđite dodatne sigurnosne mjere za zaštitu poslužioca protiv djelovanja titranja kao npr.: Održavanje električnih alata i upotrebljenih alata, održavanje topline ruku, organizacija i radne postupke.

⚠ UPOZORENJE! Pročitajte molimo sve sigurnosna upozorenja i upute. Ako se ne bi poštivale napomene o sigurnosti i upute to bi moglo uzrokovati strujni udar, požar i/ili teške ozljede.
Sačuvajte sve napomene o sigurnosti i upute za buduću primjenu.

SPECIJALNE SIGURNOSNE UPUTE

Nosite zaštitu za sluh. Djelovanje buke može dovesti do gubitka sluha.

Držite spravu na izoliranim držačkim površinama kada izvodite radove kod kojih rezački alat može pogoditi skrivene vodove struje. Kontaktom s vodovima pod naponom, pod napon će se staviti i metalni dijelovi uređaja, što može dovesti do električnog udara.

Kod radova sa strojem uvijek nositi zaštitne naočale. Zaštitne rukavice, čvrste i protiv klizanja sigurne cipele kao i pregača se preporučuju.

Piljevina ili iverje se za vrijeme rada stroja ne smiju odstranjivati.

Bezuvjetno upotrijebiti zaštitnu napravu stroja.

Prašina koja nastaje prilikom rada je često nezdrava i ne bi smijela dospjeti u tijelo. Nositi prikladnu zaštitnu masku protiv prašine.

Listovi pile sa pukotinama, koji su promijenili oblik, se ne smiju upotrebljavati!

Piljenje uronjavanjem je moguće samo kod mekših materijala (drvo, lagani građevni materijal za zidove), kod tvrdih materijala (metali) se mora nadodati za list pile odgovarajuće veliko bušenje.

Vodeći luk kod piljenja uvijek postaviti na radni predmet.

Kod radova na zidu, stropu ili podu paziti na električne kablove kao i vodove plina i vode.

Istrošene baterije za zamjenu ne bacati u vatru ili u kućno smeće. AEG nudi mogućnost uklanjanja starih baterija odgovarajuće okolini. Milwaukee nudi mogućnost uklanjanja starih baterija odgovarajuće okolini; upitajte molimo Vašeg stručnog trgovca.

Baterije za zamjenu ne čuvati skupa sa metalnim predmetima (opasnost od kratkog spoja).

Baterije sistema V-Tec puniti samo sa uređajem za punjenje sistema V-Tec. Ne puniti baterije iz drugih sistema.

U prostor za punjenje baterija u uređaju za punjenje ne smiju dospjeti metalni dijelovi (opasnost od kratkog spoja).

Baterije za zamjenu i uređaje za punjenje ne otvarati i čuvati ih samo u suhim prostorijama. Čuvati protiv vlage.

Pod ekstremnim opterećenjem ili ekstremne temperature može iz oštećenih baterija iscuriti baterijska tekućina. Kod dodira sa baterijskom tekućinom odmah isprati sa vodom i sapunom. Kod kontakta sa očima odmah najmanje 10 minuta temeljno isprati i odmah potražiti liječnika.

CE-IZJAVA KONFORMNOSTI

Izjavljujemo na osobnu odgovornost, da je proizvod opisan pod "Tehnički podaci", sukladan sa svim relevantnim propisima smjernice 2011/65/EU (RoHS), 2006/42/EC, 2004/108/EC i sa slijedećim harmoniziranim normativnim dokumentima:

EN 60745-1:2009 + A11:2010

EN 60745-2-11:2010

EN 55014-1:2006 + A1:2009 + A2:2011

EN 55014-2:1997 + A1:2001 + A2:2008

Winnenden, 2013-07-01

Alexander Krug

Alexander Krug
Managing Director



Ovlašten za formiranje tehničke dokumentacije.

Techtronic Industries GmbH

Max-Eyth-Straße 10

71364 Winnenden

Germany

PROPISNA UPOTREBA

Sabljasta pila pili drvo, plastiku i metal. Ona reže ravnine, krivine i unutrašnje isječke. Ona reže cijevi i odvaja površinski zbijeno.

Ovaj aparat se smije upotrijebiti samo u određene svrhe kao što je navedeno.

ELEKTRIČNA KOČNICA

Kod ispuštanja pritiska sklopke se list pile u roku od oko 2 sekunde zaustavlja električnom kočnicom. Električna kočnica može doduše djelovati usporavajuće. Ponekad električna kočnica nije djelotvorna. Ukoliko električna kočnica češće ne djeluje, pila se mora odnijeti autoriziranom servisu Milwaukee. Tek poslije mirovanja lista pile, pilu izvući iz komada koji se obrađuje.

BATERIJE

Nove baterije postižu svoj puni kapacitet nakon 4-5 ciklusa punjenja i pražnjenja. Baterije koje duže vremena nisu korištene, prije upotrebe napuniti.

Temperatura od preko 50°C smanjuje učinak baterija. Duže zagrijavanje od strane sunca ili grijanja izbjeći.

Priključne kontakte na uređaju za punjenje i baterijama držati čistima.

Za optimalni vijek trajanja se akumulatori poslije upotrebe moraju sasvim napuniti.

Za što moguće duži vijek trajanja, akumulatori se nakon punjenja moraju odstraniti iz punjača.

Kod skladištenja akumulatora duže od 30 dana:

Akumulator skladištiti na suhom kod ca. 27°C.

Akumulator skladištiti kod ca. 30%-50% stanja punjenja.

Akumulator ponovno napuniti svakih 6 mjeseci.

ZAŠTITA OD PREOPTEREĆENJA AKUMULATORA

Kod preopterećenja akumulatora kroz visoku potrošnju struje, npr. ekstremno visoki okretni momenti, zaglavljenje svrdla, naglo zaustavljanje ili kratki spoj, elektroalat brui 2 sekunde dugo i isključuje se samostalno.

Za ponovno uključivanje ispuštiti otponac prekidača i zatim ponovno uključiti.

Pod ekstremnim opterećenjima se akumulator može jako zagrijati. U ovom slučaju se akumulator isključuje.

Akumulator zatim utaknuti u punjač kako bi se ovaj ponovno napunio i zatim aktivirao.

ODRŽAVANJE

Preoze za prozračivanje stroja uvijek držati čistima.

Primijeniti samo Milwaukee opremu i Milwaukee rezervne dijelove. Sastavne dijelove, čija zamjena nije opisana, dati zamijeniti kod jedne od Milwaukee servisnih službi (poštivati brošuru Garancija/Adrese servisa).

Po potrebi se crtež pojedinih dijelova aparata uz navođenje podatka o tipu stroja i šestznamenastog broja na pločici snage može zatražiti kod vašeg servisa ili direktno kod Techtronic Industries GmbH, Max-Eyth-Straße 10, 71364 Winnenden, Njemačka.

SIMBOLI



Molimo da pažljivo pročitate uputu u upotrebi prije puštanja u rad.



Prije svih radova na stroju izvaditi bateriju za zamjenu.



Oprema - u opsegu isporuke nije sadržana, preporučena dopuna iz promograma opreme.



Elektricne alate ne odlažite u kućne otpatke! Prema Europskoj direktivi 2002/96/EC o starim elektricnim i elektronicnim strojevima i preuzimanju u nacionalno pravo moraju se istrošeni elektricni alati sakupljati odvojeno i odvesti u pogon za reciklažu.

| TEHNISKIE DATI | Akumulatora virzulzāģis | M18 CSX |
|--|--------------------------|------------------|
| Izlaides numurs | 4460 71 01 | ...000001-999999 |
| maks. griezuma dziļums (mērv.): | | |
| Mikstikoks | 300 mm | |
| Tērauds | 20 mm | |
| alumīnijs | 25 mm | |
| Krāsainais metāls | 25 mm | |
| Metāla caurule | 150 mm | |
| Tukšgaitas gājienu skaits | 0-3000 min ⁻¹ | |
| Gājienu augstums | 28,6 mm | |
| Akumulātorā spriegums | 18 V | |
| Svars atbilstoši EPTA -Procedure 01/2003 | 4,1 kg | |

Trokšņu un vibrāciju informācija

Vērtības, kas noteiktas saskaņā ar EN 60 745.

Instrumenta tipiskais pēc A vērtētais trokšņa spiediena līmenis

parasti sastāda

| | |
|---|-------------|
| trokšņa spiediena līmenis (K = 3 dB(A)) | 84,9 dB (A) |
| trokšņa jaudas līmenis (K = 3 dB(A)) | 95,9 dB (A) |

Nēsāt trokšņa slāpētāju!

Svārstību kopējā vērtība (Trīs virzienu vektoru summa) tiek noteikta atbilstoši EN 60745.

Svārstību emisijas vērtība a_v

| | |
|-------------------------|-----------------------|
| Baļķu/siju zāģi | 16,7 m/s ² |
| Nedrošība K | 1,5 m/s ² |
| Griezti no skaidu | 22,3 m/s ² |
| Nedrošība K | 3,0 m/s ² |

UZMANĪBU

Instrukcijā norādītā svārstību robežvērtība ir izmērīta mērījumu procesā, kas veikts atbilstoši standartam EN 60745, un to var izmantot elektroinstrumentu savstarpējai salīdzināšanai. Tā ir piemērota arī svārstību noslogojuma pagaidu izvērtēšanai.

Norādītā svārstību robežvērtība ir reprezentatīva elektroinstrumenta pamata pielietojuma jomām. Tomēr, ja elektroinstrumenti tiek pielietoti citās jomās, papildus izmantojot neatbilstošus elektroinstrumentus vai pēc nepieciešamas tehniskās apkopes, tad svārstību robežvērtība var atšķirties. Tas var ievērojami palielināt svārstību noslogojumu visa darba laikā.

Precīzai svārstību noslogojuma noteikšanai, ir jāņem vērā arī laiks, kad ierīces ir izslēgtas vai arī ir ieslēgtas, tomēr faktiski netiek lietota. Tas var ievērojami samazināt svārstību noslogojumu visa darba laikā.

Integrējiet papildus drošības pasākumus pret svārstību ietekmi lietotājam, piemēram: elektroinstrumentu un darba instrumentu tehniskā apkope, roku siltuma uzturēšana, darba procesu organizācija.

⚠ BRĪDINĀJUMS! Izlasiet visus drošības brīdinājumus un instrukcijas. Šeit sniegto drošības noteikumu un norādījumu neievērošana var izraisīt aizdegšanos un būt par cēloni elektriskajam triecienam vai nopietnam savainojumam. **Pēc izlasīšanas uzglabājiet šos noteikumus turpmākai izmantošanai.**

SPECIĀLIE DROŠĪBAS NOTEIKUMI

Nēsājiet ausu aizsargus. Trokšņa iedarbības rezultātā var rasties dzirdes traucējumi.

Lerīci turiet aiz izolētiem rokturiem, ja veicat darbus, kuros griešanas darbiem izmantojamais instruments var skart paslēptus elektrovadus. Asmenim saskaroties ar vadiem, kuriem tiek pievadīts fāzes spriegums, šis spriegums nonāk arī uz instrumenta korpusa strāvu vadobājam daļām un var izraisīt elektrisko triecienu.

Strādājot ar mašīnu, vienmēr jānēsā aizsargbrilles. Tiek ieteikts nēsāt arī aizsargcimdus, slēgtus, neslīdošus apavus un priekšautu.

Skaidas un atlūzas nedrīkst ņemt ārā, kamēr mašīna darbojas.

Noteikti vajag izmantot mašīnai paredzēto aizsargaprīkojumu.

Putekļi, kas rodas darba gaitā, bieži ir kaitīgi veselībai un tiem nevajadzētu nokļūt organismā. Jānēsā piemērota maska, kas pasargā no putekļiem.

Saplaisājušas zāģu ripas un tādas, kas ir izmainījušas savu formu, nedrīkst izmantot.

legremdējamos zāģus drīkst izmantot tikai mikstu materiālu apstrādei (koks, vieglie būvmateriāli sienām), cietākos materiālos iepriekš jāveic zāģa ripas izmēram atbilstošs urbums.

Vadotnes rullītis vienmēr jānovietu uz aprādājāmās detaļas.

Veicot darbus sienā, griestu un grīdas apvidū, vajag uzmanīties, lai nesabojātu elektriskos, gāzes un ūdens vadus.

Izmantotos akumolārus nedrīkst mest ugunī vai parastajos atkritumos. Firma Milwaukee piedāvā iespēju vecos akumolātorus savākt apkārtnē vidi saudzējošā veidā; jautājiet specializētā veikalā.

Akumolātorus nav ieteicams glabāt kopā ar metāla priekšmetiem (iespējams īsslēgums).

V-Tec sistēmas akumolātorus lādēt tikai ar V-Tec sistēmas lādētājiem. Nedrīkst lādēt citus akumolātorus no citām sistēmām.

Jāuzmanās, lai akumolātoru lādētājā nenokļūtu nekādi metāla priekšmeti (iespējams īsslēgums).

Akumolātorus un lādētājus nedrīkst taisīt vaļā un tie jāuzglabā sausās telpās.

Pie ārkārtas slodzes un ārkārtas temperatūrām no bojātā akumolātorā var izteciēt akumolātorā šķidrums. Ja nonākat saskarsmē ar akumolātorā šķidrumu, saskarsmes vieta nekavējoties jānomazgā ar ūdeni un ziepēm. Ja šķidrums nonācis acīs, acis vismaz 10 min. skalot un nekavējoties konsultēties ar ārstu.

ATBILSTĪBA CE NORMĀM

Mēs apliecinām, ka produkts, kura tehniskie parametri aprakstīti "tehnisko datu lapā", pilnībā atbilst prasībām saskaņā ar direktīvām 2011/65/EU (RoHS), 2006/42/EK, 2004/108/EK un attiecīgajiem harmonizētajiem normatīvajiem dokumentiem:

EN 60745-1:2009 + A11:2010

EN 60745-2-11:2010

EN 55014-1:2006 + A1:2009 + A2:2011

EN 55014-2:1997 + A1:2001 + A2:2008

Winnenden, 2013-07-01



Alexander Krug
Managing Director



Pilnvarotais tehniskās dokumentācijas sastādītājs.

Technronic Industries GmbH

Max-Eyth-Straße 10

71364 Winnenden

Germany

NOTEIKUMIEM ATBILSTOŠS IZMANTOJUMS

Zobenzāģis zāģē koku, plastmasu un metālu. Ar to var veikt taisno zāģējumu, slīpo un kombinēto zāģēšanu. Ar to var zāģēt caurules, un tas zāģē līdz ar virsmu.

Šo instrumentu drīkst izmantot tikai saskaņā ar minētajiem lietošanas noteikumiem.

ELEKTRISKĀS BREZMES

Elektriskās brezmes tiek iedarbinātas atbrīvojot sprūdu, tādējādi liekot asmenim apstāties un ļaujot jums turpināt darbu.

Parasti asmens apstājas divu sekunžu laikā, tomēr šis laika posms var būt ilgāks, ņemot vērā to laiku, kad jūs atbrīvojat sprūdu un brezmes iedarbinās. Var gadīties, ka brezmes neieslēdzas. Ja tā notiek, nepieciešams, lai zāģi pārbauda oficiālais Milwaukee apkalpojošais serviss.

Pirms zāģa izņemšanas no darba vietas, vienmēr pagaidiet, kamēr asmens ir pilnīgi apstājies.

AKUMULĀTORI

Jauni akumolātori sasniedz pilnu kapacitāti pēc 4-5 uzlādēšanas un izlādēšanas cikliem. Akumolātori, kas ilgāku laiku nav izmantoti, pirms lietošanas jāuzlādē.

Pie temperatūras, kas pārsniedz 50°C, akumolātoru darbība tiek negatīvi ietekmēta. Vajag izvairīties no ilgākas saules un karstuma iedarbības.

Lādētāja un akumolātoru pievienojuma kontakti jāuztur tīri.

Lai baterijām būtu optimāls mūžs, pēc lietošanas bateriju bloks pilnībā jāuzlādē.

Lai akumolātoru kalpotu pēc iespējas ilgāku laiku, tos pēc uzlādes ieteicams atvienot no lādētāj ierīces.

Akumolātoru uzglabāšana ilgāk kā 30 dienas: uzglabāt akumolātoru pie aptuveni 27° C un sausā vietā. Uzglabāt akumolātoru uzlādes stāvoklī aptuveni pie 30%-50%. Uzlādēt akumolātoru visus 6 mēnešus no jauna.

AKUMULĀTORA AIZSARDZĪBA PRET PĀRSLOGOJUMU

Akumolātoru pārslogojuma gadījumos, esot ļoti liela elektroenerģijas patēriņam, piem., ārkārtīgi augsts griezes moments, urbja ieķēršanās, pēkšņa apstāšanās vai īssavienojums, elektriskais darbarīks 2 sekundes rūc, un pats izslēdzas.

Lai to atkal ieslēgtu, atļaidiet ieslēgšanas pogu un tad to ieslēdziet no jauna.

Esot ārkārtīgi augstam noslogojumam, akumolātors var spēcīgi sakarst. Šādā gadījumā akumolātors atslēdzas.

Akumolātoru var ievietot lādētājā, lai to atkal uzlādētu un aktivizētu.

APKOPE

Vajag vienmēr uzmanīties, lai būtu tīras dzesēšanas atveres.

Izmantojiet tikai firmu Milwaukee piederumus un firmas Milwaukee rezerves daļas. Lieciet nomainīt detaļas, kuru nomaīņa nav aprakstīta, kādā no firmu Milwaukee klientu apkalpošanas servisiem. (Skat. brošūru "Garantija/klientu apkalpošanas serviss".)

Pēc pieprasījuma, Jūsu Klientu apkalpošanas centrā vai pie Technronic Industries GmbH, Max-Eyth-Straße 10, 71364 Winnenden, Vācijā, ir iespējams saņemt iekārtas montāžas rasējumu, iepriekš norādot iekārtas modeli un sērijas numuru, kas atrodas uz datu plāksnītes un sastāv no sešiem simboliem.

SIMBOLI



Pirms sākt lietot instrumentu, lūdzu, izlasiet lietošanas pamācību.



Pirms mašīnai veikt jebkāda veida apkopes darbus, ir jāizņem arī akumolātors.



Piederumi - standartaprīkojumā neietvertās, bet ieteicamās papildus komplektācijas detaļas no piederumu programmas.



Neizmetiet elektroiekartas sadzīves atkritumos! Saskana ar Eiropas Direktīvu 2002/96/EK par lietotajam elektroiekartām, elektronikas iekartām un tas iekļaušanu valsts likumdošana lietotas elektroiekartas ir jāsavaca atsevišķi un jānogada atsevišķai parstrādei videi draudzīga veida.

TECHINIAI DUOMENYS **Slenkamojo judesio pjūklas su akumuliatoriumi** **M18 CSX**

Produkto numeris4460 71 01
000001-999999

Maks. pjūvio gylis pjaunant:
 minkštą medieną300 mm
 plieną20 mm
 Aliuminis25 mm
 spalvotuosius metalus25 mm
 metalinius vamzdžius150 mm
 judesių skaičius laisva eiga0-3000 min⁻¹
 judesio aukštis28,6 mm
 keičiamo akumuliatoriaus įtampa18 V
 Prietaiso svoris įvertintas pagal EPTA 2003/01 tyrimų metodiką4,1 kg

Informacija apie triukšmą/vibraciją

Vertės matuotos pagal EN 60 745.

Prietaisui būdingas garso slėgio lygis, koreguotas pagal A dažnio charakteristiką,

Garso slėgio lygis (K = 3 dB(A))84,9 dB (A)
 Garso galios lygis (K = 3 dB(A))95,9 dB (A)

Nešioti klausos apsaugines priemones!

Bendroji svyravimų reikšmė (trijų krypčių vektorių suma), nustatyta remiantis EN 60745.

Vibravimų emisijos reikšmė a_w
 Medinių sijų pjovimas16,7 m/s²
 Paklaida K1,5 m/s²
 Išpjauti iš medienos drožlių plokštės22,3 m/s²
 Paklaida K3,0 m/s²

DĖMESIO

Instrukcijoje nurodyta svyravimų ribinė vertė yra išmatuota remiantis standartu EN 60745; ji gali būti naudojama keliems elektriniams instrumentams palyginti. Ji taikoma ir laikinai įvertinti svyravimų apkrova.

Nurodyta svyravimų ribinė vertė yra taikoma pagrindinėse elektrinio instrumento naudojimo srityse. Svyravimų ribinė vertė gali skirtis naudojant elektrinį instrumentą kitose srityse, papildomai naudojant netinkamus elektrinius instrumentus arba juos nepakankamai techniškai prižiūrint. Dėl to viso darbo metu gali žymiai padidėti svyravimų apkrova.

Siekiant tiksliai nustatyti svyravimų apkrovą, būtina atsižvelgti ir į laikotarpį, kai įrenginys yra išjungtas arba įjungtas, tačiau faktiškai nenaudojamas. Dėl to viso darbo metu gali žymiai sumažėti svyravimų apkrova.

Siekiant apsaugoti vartotojus nuo svyravimo įtakos naudojamos papildomos saugos priemonės, pavyzdžiui, elektrinių darbo instrumentų techninė priežiūra, rankų šilumos palaikymas, darbo procesų organizavimas.

⚠ ĮSPĖJIMAS! Perskaitykite visus saugos nurodymus ir instrukcijas. Jei nepaisysite žemiau pateiktų saugos nuorodų ir reikalavimų, gali trenkti elektros smūgis, kilti gaisras ir/arba galite sunkiai susižaloti arba sužaloti kitus asmenis.
Įsaugokite šias saugos nuorodas ir reikalavimus, kad ir ateityje galėtumėte jais pasinaudoti.

YPATINGOS SAUGUMO NUORODOS

Nešioti klausos apsaugines priemones. Triukšmo poveikyje galima netekti klausos.

Dirbdami laikykite prietaisą už izoliuotų vietų, kuriose pjovimo įrenginys pats galėtų liesti paslėptus laidus. Dėl kontakto su laidininku, kuriuo teka elektros srovė, metalinėse prietaiso dalyse atsiranda atampa ir naudotojas gali gauti elektros smūgą.

Dirbdami su įrenginiu visada nešioti apsauginius akinius. Rekomenduotina nešioti apsaugines pirštines, tvirtus batus neslidžiu padu bei prijuostę.

Draudžiama išiminti drožles ar nuopjovas, įrenginiui veikiant. Būtinai naudokite įrenginio saugos įtaisus.

Darbo metu susidaranti dulksė yra dažnai kenksmingos sveikatai ir todėl turėtų nepatekti į organizmą. Dėvėti tinkamą apsauginę kaukę nuo dulkių.

Įtrūkusius arba pakitusios formos pjovimo diskus naudoti draudžiama!

Pjauti įleidimo metodu galima tik minkštose medžiagose (medienoje, lengvųjų konstrukcijų medžiagose sienoms).

Pjaunant kietose medžiagose, reikia išgręžti pjovimo disko dydį atitinkantį gręžinį.

Pjaudami kreipiamąjį rėmą visada priglauskite prie apdorojamos detalės.

Dirbdami sienoje, lubose arba grindyse, atkreipkite dėmesį į elektros laidus, dujų ir vandens vamzdžius.

Sunaudotų keičiamų akumuliatorių nedeginkite ir nemeskite į buitines atliekas. „Milwaukee“ siūlo tausojantį aplinką sudėvėtų keičiamų akumuliatorių tvarkymą, apie tai prekybos atstovo.

Keičiamų akumuliatorių nelaiykite kartu su metaliniais daiktais (trumpojo jungimo pavojus).

Keičiamus „V-Tec“ sistemos akumuliatorius kraukite tik „V-Tec“ sistemos įkrovikliais. Nekraukite kitų sistemų akumuliatorių.

Į įkroviklių keičiamiems akumuliatoriams įstatymui skirtą vamzdį turi nepatekti jokios metalinės dalys (trumpojo jungimo pavojus).

Keičiamų akumuliatorių ir įkroviklių nelaiykite atvirai. Laikykite tik sausoje vietoje. Saugokite nuo drėgmės.

Ekstremalių apkrovų arba ekstremalios temperatūros poveikyje iš keičiamų akumuliatorių gali ištekti akumuliatoriaus skystis. Išsitiesus akumuliatoriaus skysčiu, tuoj pat nuoplaukite vandeniu su muilu. Patekus į akis, tuoj pat ne trumpiau kaip 10 minučių gausiai skalaukite vandeniu ir tuoj pat kreipkitės į gydytoją.

CE ATITIKTIES PAREIŠKIMAS

Remiantis bendrais atsakomybės reikalavimais pareiškiamo, jog skyriuje "Techniniai duomenys" aprašytas produktas atitinka visus toliau pateiktų juridinių direktyvų reikalavimus: 2011/65/EU (RoHS), 2006/42/EB, 2004/108/EB ir kitus su jomis susijusius norminius dokumentus:

EN 60745-1:2009 + A11:2010
 EN 60745-2-11:2010
 EN 55014-1:2006 + A1:2009 + A2:2011
 EN 55014-2:1997 + A1:2001 + A2:2008

Winnenden, 2013-07-01

Alexander Krug

Alexander Krug
 Managing Director



Įgalios parengti techninius dokumentus.

Techtronic Industries GmbH
 Max-Eyth-Straße 10
 71364 Winnenden
 Germany

NAUDOJIMAS PAGAL PASKIRTĮ

Tiesinis pjūklas pjauna medieną, plastiką ir metalą. Jis pjauna tieses, kreives ir vidines išpjovas. Jis pjauna vamzdžius ir nupjauna lygiai su paviršiumi.

Šį prietaisą leidžiama naudoti tik pagal nurodytą paskirtį.

ELEKTRINIS STABDYS

Atleidus jungiklį, elektrinis stabdys maždaug per 2 sekundes sustabdo pjūklą geležtę. Tačiau elektrinis stabdys gali veikti ir sulėtintai. Kartais elektrinis stabdys gali visai nesuveikti. Jei elektrinis stabdys dažnai neveikia, pjūklą reikia nugabenti į įgaliotą „Milwaukee“ aptarnavimo centrą.

Ištraukti pjūklą iš gaminamos detalės galima tik geležtei sustojus.

AKUMULIATORIAI

Nauji keičiami akumuliatoriai savo pilną talpą įgyja po 4-5 įkrovos ir iškrovos ciklų. Ilgesnį laiką nenaudotus keičiamus akumuliatorius prieš naudojimą įkraukite.

Aukštesnė nei 50°C temperatūra mažina keičiamų akumuliatorių galią. Venkite ilgesnio saulės ar šilumos šaltinių poveikio.

Įkroviklio ir keičiamo akumuliatoriaus jungiamieji kontaktai visada turi būti švarūs.

Pasinaudoję prietaisu, visiškai įkraukite akumuliatorių, kad prietaisas veiktų optimaliai ilgai.

Siekiant užtikrinti kuo ilgesnį baterijos tarnavimo laiką, reikėtų ją po atlikto įkrovimo iškart išimti iš įkroviklio.

Bateriją laikant ilgiau nei 30 dienų, būtina atkreipti dėmesį į šias nuorodas: bateriją laikyti sausoje aplinkoje, esant apie 27 °C temperatūrai. Baterijos įkrovimo lygis turi būti nuo 30% iki 50%. Baterija pakartotinai turi būti įkraunama kas 6 mėnesius.

APSAUGA NUO AKUMULIATORIAUS PERKROVOS

Perkrovus akumuliatorių dėl itin didelės vartojamos srovės, pvz.: labai didelių apskukų, staigus stabdymo, trumpo sujungimo ar užsikirtus gražtui, elektrinis įrankis veikia dar 2 sekundes ir išsijungia automatiškai.

Norint iš naujo jungti įrankį, reikia atleisti mygtuką ir jį dar kartą įjungti.

Dėl ekstremalių apkrovų akumuliatorius gali labai stipriai įkaisti. Tokiu atveju jis išsijungia.

Tada akumuliatorių reikia įkišti į įkroviklį, kad jis įsikrautų ir veiktų.

TECHINIS APTARNAVIMAS

Įrenginio vėdinimo angos visada turi būti švarios.

Naudokite tik „Milwaukee“ priedus ir „Milwaukee“ atsargines dalis. Dalis, kurių keitimas neaprašytas, leidžiama keisti tik „Milwaukee“ klientų aptarnavimo skyriams (žr. garantiją/klientų aptarnavimo skyrių adresus brošiūroje).

Esant poreikiui, nurodžius mašinos modelį ir šešiaženklį numerį, esantį ant specifikacijų lentelės, klientų aptarnavimo centre arba tiesiogiai „Techtronic Industries GmbH“, Max-Eyth-Str. 10, 71364 Winnenden, Vokietija, galite užsakyti išplėstinį prietaiso brėžinį.

SIMBOLIAI

Prieš pradėdami dirbti su prietaisu, atidžiai perskaitykite jo naudojimo instrukciją.



Prieš atlikdami bet kokius darbus įrenginyje, išimkite keičiamą akumuliatorių.



Priedas – neįeina į tiekimo komplektaciją, rekomenduojamas papildymas iš priedų asortimento.



Neišmeskite elektros įrengimu ir buitinius šiukšlynus! Pagal ES Direktyva 2002/96/EB dėl naudotų įrengimų, elektros įrengimu ir ju ištraukimo į valstybinius įstatymus naudotus įrengimus būtina surinkti atskirai ir nugabenti antriniu žaliavų perdėbimui aplinkai nekenksmingu būdu.

| TEHNILISED ANDMED | Juhtmeta tükeldussaag | M18 CSX |
|---|--------------------------|-----------------|
| Tootmisnumber | 4460 71 01 | ..000001-999999 |
| Lõikesügavus maks: | | |
| Pehme puit | 300 mm | |
| Teras | 20 mm | |
| Alumiinium | 25 mm | |
| Värviline metall | 25 mm | |
| Metalltorud | 150 mm | |
| Käikude arv tühjooksul | 0-3000 min ⁻¹ | |
| Käigu kõrgus | 28,6 mm | |
| Vahetatava aku pinge | 18 V | |
| Kaal vastavalt EPTA-protseduurile 01/2003 | 4,1 kg | |

Müra/vibratsiooni andmed

Mõõteväärused on kindlaks tehtud vastavalt normile EN 60 745.

Seadme A-filtriga hinnatud helirõhutase on tüüpiliselt

| | |
|-------------------------------------|-------------|
| Helirõhutase (K=3 dB(A)) | 84,9 dB (A) |
| Helivõimsuse tase (K=3 dB(A)) | 95,9 dB (A) |

Kandke kaitseks kõrvaklappe!

Vibratsiooni koguväärtus (kolme suuna vektorsumma) mõõdetud EN 60745 järgi.

| | |
|--|-----------------------|
| Vibratsiooni emissiooni väärtus a _n | |
| Puitprusside saagimine | 16,7 m/s ² |
| Määramatus K | 1,5 m/s ² |
| Iõigatud puिताastplaadist | 22,3 m/s ² |
| Määramatus K | 3,0 m/s ² |

TÄHELEPANU

Antud juhendis toodud võnketase on mõõdetud EN 60745 standardile vastava mõõtesüsteemiga ning seda võib kasutada erinevate elektriseadmete omavahelises võrdlemises. Antud näitaja sobib ka esmaseks võnkekoormuse hindamiseks.

Antud võnketase kehtib elektriseadme kasutamisel sihtotstarbeliselt. Kui elektriseadet kasutatakse muudel otstarvetel, muude tööriistadega või seda ei hooldata piisavalt võib võnketase siintoodust erineda. Eeltoodu võib võnketaset märkimisväärselt tõsta terves töökeskkonnas.

Võnketaseme täpseks hindamiseks tuleks arvestada ka aega, mil seade on välja lülitatud või on küll sisse lülitatud, kuid ei ole otseselt kasutuses. See võib märgatavalt vähendada kogu töökeskkonna võnketaset.

Rakendage spetsiaalseid ettevaatusabinõusid töötajate suhtes, kes puutuvad töö käigus palju kokku vibratsiooniga. Nendeks abinõudeks võivad olla, näiteks: elektri- ja tööseadmete korraline hooldus, käte soojendamine, töövoo parem organiseerimine.

⚠ HOIATUS! Lugege kõiki ohutusjuhiseid ja korraldusi.

Ohutusnõuete ja juhiste eiramise tagajärjeks võib olla elektrilöök, tulekahju ja/või rasked vigastused.

Hoidke kõik ohutusnõuded ja juhised edasiseks kasutamiseks hoolikalt alles.

SPETSIAALSSED TURVAJUHISED

Kandke kaitseks kõrvaklappe. Müra mõju võib kutsuda esile kuulmise kaotuse.

Tööde puhul, kus lõikeseade võib minna vastu peidetud elektrijuhtmeid, hoidke kinni seadme isoleeritud käepidemetest. Kokkupuude pinge all oleva juhtmega võib seada seadme enda metallosad pingele alla ja põhjustada elektrilöögi.

Masinaga töötades kandke alati kaitseprille. Soovitavad on kaitsekindad, tugevad ja libisemiskindlad jalanõud ning põll.

Puru ega pilpaid ei tohi eemaldada masina töötamise ajal.

Kasutage tingimata masina kaitseesadist.

Töö ajal tekkiv tolm on sageli tervistkahjustav ning ei tohiks sattuda organismi. Kanda sobivat kaitsemaski.

Mõranenud ning deformeerunud saelehti ei tohi kasutada!

Sukeldumisega saagimine on võimalik ainult pehmemate materjalide puhul (puit, kerged seinamaterjalid), kõvemate materjalide (metallide) puhul tuleb saagimiseks puurida saelehe suurusele vastav auk.

Saagimisel asetage juhtkaar alati toorikule toeks.

Seina, lae või põranda tööde puhul pidage silmas elektrijuhtmeid, gaasi- ja veetorusid.

Ärge visake tarvitatud vahetatavaid akusid tulle ega olmeprügisse. Milwaukee pakub vanade akude

keskkonnahoidlikku käitlust; palun küsige oma erialaselt tarnijalt.

Ärge säilitage vahetatavaid akusid koos metallesemetega (lühiseoht).

Laadige süsteemi V-Tec vahetatavaid akusid ainult süsteemi V-Tec laadijatega. Ärge laadige nendega teiste süsteemide akusid.

Laadijal olevasse vahetatava aku ühenduskambrisse ei tohi sattuda metalloosi (lühiseoht).

Ärge avage vahetatavaid akusid ega laadijaid ning ladustage neid ainult kuivades ruumides. Kaitske niiskuse eest.

Äärmuslikul koormusel või äärmuslikul temperatuuril võib kahjustatud vahetatavast akust akuvelelik välja voolata. Akuvelelikuga kokkupuutumise korral peske kohe vee ja seebiga. Silma sattumise korral loputage kiiresti põhjalikult vähemalt 10 minutit ning pöörduge viivitamatult arsti poole.

EÜ VASTAVUSAVALDUS

Me deklareerime ainuisikuliselt vastutades, et lõigus „Tehnilised andmed“ kirjeldatud toode vastab direktiivide 2011/65/EU (RoHS), 2006/42/EÜ, 2004/108/EÜ kõigile olulisele tähtsusega eeskirjadele ning järgmistele harmoniseeritud normatiivsetele dokumentidele:

EN 60745-1:2009 + A11:2010
EN 60745-2-11:2010
EN 55014-1:2006 + A1:2009 + A2:2011
EN 55014-2:1997 + A1:2001 + A2:2008

Winnenden, 2013-07-01



Alexander Krug
Managing Director



On volitatud koostama tehnilist dokumentatsiooni.

Techtronic Industries GmbH
Max-Eyth-Straße 10
71364 Winnenden
Germany

KASUTAMINE VASTAVALT OTSTARBELE

Saabelsaag puidu, plast ja metalli lõikamiseks. Sobib sirg-, kurv- ning siseväljalõigeteks. Lõikab torusid ning mööda tasapinda.

Antud seadet tohib kasutada ainult vastavalt äranäidatud otstarbele.

ELEKTRILINE PIDUR

Elektriline pidur hakkab tööle kui päästik on lahti lastud, põhjustades tera peatumist ja lubades sulle jätkata tööd. Üldiselt, saagitera peatub kahe sekundi jooksul. Siiski võivad esineda viivitused päästiku lahti lasemise ja piduri tööle hakkamise vahel. Aeg-ajalt pidur võib üldse mitte peatuda. Kui see ei peatu sageli, saagil on vajalik hooldus volitatud Milwaukee teeninduskeskuses.

Enne saagi eemaldamist toorikust, alati oota tera täieliku peatumiseni.

AKUD

Uued vahetatavad akud saavutavad oma täieliku mahtuvuse pärast 4–5 laadimis- ja tühjendustsüklit. Pikemat aega mittekasutatud akusid laadige veel enne kasutamist.

Temperatuur üle 50 °C vähendab vahetatava aku töövoimet. Vältige pikemat soojenemist päikese või kütteseadme mõjul.

Hoidke laadija ja vahetatava aku ühenduskontaktid puhtad.

Patreide optimaalse eluea tagamiseks, pärast kasutamist täielikult lae pateride plokki.

Akud tuleks võimalikult pika kasutusea saavutamiseks pärast täislaadimist laadijast välja võtta.

Aku ladustamisel üle 30 päeva:
Ladustage akut kuivas kohas u 27°C juures.
Ladustage akut u 30-50% laetusseisundis.
Laadige aku iga 6 kuu tagant täis.

AKU KOORMUSKAITSE

Aku ülekoormamisel kõrge voolutarbimisega, nt puuri blokeerumisel, äkilisel seiskumisel või lühise tekkimisel, vibreerib elektritööriist 2 sekundit ning seejärel lülitub automaatselt välja.

Uuesti sisse lülitamiseks tuleb päästik esmalt vabastada ning seejärel uuesti alla suruda.

Üli suurel koormusel võib aku kuumeneda kõrgete temperatuurideni. Sellisel juhul lülitub aku välja.

Aku tuleb laadimiseks ja taasaktiveerimiseks sisestada laadimisseadmesse.

HOOLDUS

Hoidke masina õhutuspiilud alati puhtad.

Kasutage ainult Milwaukee tarvikuid ja Milwaukee tagavaraosi. Detailid, mille väljavahetamist pole kirjeldatud, laske välja vahetada Milwaukee klienditeeninduspunktis (vaadake brošüüri garantii / klienditeeninduste aadressid).

Vajadusel saab nõuda seadme plahvatusjoonise võimsussildil oleva masinatüübi ja kuuekohalise numbrilise klienditeeninduspunkti või vahetult firmalt Techtronic Industries GmbH, Max-Eyth-Straße 10, 71364 Winnenden, Germany.

SÜMBOLID



Palun lugege enne käikulaskmist kasutusjuhend hoolikalt läbi.



Enne kõiki töid masina kallal võtke vahetatav aku välja.



Tarvikud - ei kuulu tarne komplekti, soovitatav täiendus on saadaval tarvikute programmis.



Ärge käideldge kasutuskõlbatuks muutunud elektrilisi tööriistu koos olmejäätmetega! Vastavalt Euroopa Parlamendi ja nõukogu direktiivile 2002/96/EÜ elektri- ja elektroonikaseadmete jäätmete kohta ning direktiivi nõuete kohaldamisele liikmesriikides tuleb asutuskõlbatuks muutunud elektrilised tööriistad koguda eraldi ja keskkonnasäästlikult korduskasutada või ringlusse võtta.

ТЕХНИЧЕСКИЕ ДАННЫЕ Акк. сабельная пила **M18 CSX**Серийный номер изделия4460 71 01
.....000001-999999

| | |
|---|--------------------------|
| Макс. глубина резки в: | |
| Мягкое дерево | 300 mm |
| Стали | 20 mm |
| Алюминий | 25 mm |
| Цветной металл | 25 mm |
| Металлическая труба | 150 mm |
| Частота хода без нагрузки | 0-3000 min ⁻¹ |
| Длина хода | 28,6 mm |
| Вольтаж аккумулятора | 18 V |
| Вес согласно процедуре EPTA 01/2003 | 4,1 kg |

Информация по шумам/вибрации

Значения замерялись в соответствии со стандартом EN 60 745.

| | |
|---|-------------|
| Обычное низкочастотное звуковое давление, производимое инструментом, составляет | |
| Уровень звукового давления (K=3 dB(A)) | 84,9 dB (A) |
| Уровень звуковой мощности (K=3 dB(A)) | 95,9 dB (A) |

Пользуйтесь приспособлениями для защиты слуха.

Общие значения вибрации (векторная сумма трех направлений) определены в соответствии с EN 60745.

| | |
|--|-----------------------|
| Значение вибрационной эмиссии a _w | |
| Пиление деревянных балок | 16,7 m/s ² |
| Небезопасность К | 1,5 m/s ² |
| Сократить ДСП | 22,3 m/s ² |
| Небезопасность К | 3,0 m/s ² |

ВНИМАНИЕ

Указанный в настоящем руководстве уровень вибрации измерен в соответствии с технологией измерения, установленной стандартом EN 60745 и может использоваться для сравнения электроинструментов друг с другом. Он также подходит для предварительной оценки вибрационной нагрузки.

Указанный уровень вибрации представляет основные виды использования электроинструмента. Но если электроинструмент используется для других целей, используемый инструмент отклоняется от указанного или техническое обслуживание было недостаточным, то уровень вибрации может отклоняться от указанного. В этом случае вибрационная нагрузка в течение всего периода работы значительно увеличивается.

Для точной оценки вибрационной нагрузки необходимо также учитывать время, в течение которого прибор отключен или включен, но фактически не используется. В этом случае вибрационная нагрузка в течение всего периода работы может существенно уменьшиться.

Установите дополнительные меры безопасности для защиты пользователя от воздействия вибрации, например: техническое обслуживание электроинструмента и используемого инструмента, поддержание рук в теплом состоянии, организация рабочих процессов.

⚠ ПРЕДУПРЕЖДЕНИЕ! Прочтите все указания по безопасности и инструкции. Упущения, допущенные при соблюдении указаний и инструкций по технике безопасности, могут стать причиной электрического поражения, пожара и тяжелых травм.
Сохраняйте эти инструкции и указания для будущего использования.**РЕКОМЕНДАЦИИ ПО ТЕХНИКЕ БЕЗОПАСНОСТИ****Используйте наушники!** Воздействие шума может привести к потере слуха.**Если Вы выполняете работы, при которых режущий инструмент может зацепить скрытую электропроводку кабель, инструмент следует держать за специально предназначенные для этого изолированные поверхности.** Контакт с ведущими напряжением проводами ставит металлические части прибора под напряжение и ведет к поражению электротоком.

При работе с инструментом всегда надевайте защитные очки. Рекомендуется надевать перчатки, прочные нескользящие ботинки и фартук.

Не убирайте опилки и обломки при включенном инструменте.

Всегда пользуйтесь защитной крышкой на инструменте.

Пыль, возникающая при работе данным инструментом, может нанести вред здоровью. Не следует допускать её попадания в организм. Надевайте противопылевой респиратор.

Не используйте треснувшие или погнутые полотна пилы.

Врезание без предварительного высверливания отверстий возможно в мягких материалах (дерево, легких строительных материалах для стен). В более твердых материалах (металле) необходимо сначала просверлить отверстия, соответствующие размеру пильного полотна.

При пилении всегда прижимайте направляющий башмак к обрабатываемой детали.

При работе в стенах, потолках или полу следите за тем, чтобы не повредить электрические кабели или водопроводные трубы.

Не выбрасывайте использованные аккумуляторы вместе с домашним мусором и не сжигайте их. Дистрибьюторы компании Milwaukee предлагают восстановление старых аккумуляторов, чтобы защитить окружающую среду.

Не храните аккумуляторы вместе с металлическими предметами во избежание короткого замыкания.

Для зарядки аккумуляторов модели V-Тес используйте только зарядным устройством V-Тес. Не заряжайте аккумуляторы других систем.

Не допускается попадание каких-либо металлических предметов в аккумуляторный отсек зарядного устройства во избежание короткого замыкания.

Никогда не вскрывайте аккумуляторы или зарядные устройства и храните их только в сухих помещениях.

Следите чтобы они всегда были сухими. Аккумуляторная батарея может быть повреждена и дать течь под воздействием чрезмерных температур или повышенной нагрузки. В случае контакта с аккумуляторной кислотой немедленно промойте место контакта мылом и

водой. В случае попадания кислоты в глаза промойте глаза в течении 10 минут и немедленно обратитесь за медицинской помощью.

ДЕКЛАРАЦИЯ О СООТВЕТСТВИИ СТАНДАРТАМ ЕС

Мы заявляем под собственную ответственность, что изделие, описанное в разделе „Технические характеристики“, соответствует всем важным предписаниям Директивы 2011/65/EU (Директива об ограничении применения опасных веществ в электрических и электронных приборах), 2006/42/EC, 2004/108/EC и приведенным далее гармонизированным нормативным документам:

EN 60745-1:2009 + A11:2010
EN 60745-2-11:2010
EN 55014-1:2006 + A1:2009 + A2:2011
EN 55014-2:1997 + A1:2001 + A2:2008

Winnenden, 2013-07-01

Alexander Krug
Managing Director

Уполномочен на составление технической документации.

Techtronic Industries GmbH
Max-Eyth-Straße 10
71364 Winnenden
Germany**ИСПОЛЬЗОВАНИЕ**

Эта сабельная пила пилит дерево, пластик и металл. Она может пилить по кривой и заподлицо с поверхностью.

Не пользуйтесь данным инструментом способом, отличным от указанного для нормального применения.

ЭЛЕКТРИЧЕСКИЙ ТОРМОЗ

При отпускании кнопки выключателя электрический тормоз остановит пильное полотно в пределах примерно 2 секунд. Тем не менее, электрический тормоз может действовать с задержкой. Бывают случаи, когда электрический тормоз не действует. Если электрический тормоз не действует слишком часто, пилу следует отнести в авторизованный сервисный центр компании Milwaukee.

Снимайте пилу с обрабатываемого изделия только после полной остановки пильного полотна.

АККУМУЛЯТОР

Новый аккумулятор заряжается до полной емкости после 4 - 5 зарядных циклов. Перед использованием аккумулятора, которым не пользовались некоторое время, его необходимо зарядить.

Температура свыше 50°C снижает работоспособность аккумуляторов. Избегайте продолжительного нагрева или прямого солнечного света (риск перегрева).

Контакты зарядного устройства и аккумуляторов должны содержаться в чистоте.

Для обеспечения оптимального срока службы аккумуляторы необходимо полностью заряжать после использования.

Для достижения максимально возможного срока службы аккумуляторы после заряда следует вынимать из зарядного устройства.

При хранении аккумулятора более 30 дней:

Храните аккумулятор при 27°C в сухом месте.
Храните аккумулятор с зарядом примерно 30% - 50%.
Каждые 6 месяцев аккумулятор следует заряжать.**ЗАЩИТА АККУМУЛЯТОРА ОТ ПЕРЕГРУЗКИ**

При перегрузке аккумулятора из-за очень высокого расхода электроэнергии, напр., предельно высоких крутящих моментов, заклинивания сверла, внезапной остановки или короткого замыкания, электроинструмент гудит 2 секунды и автоматически отключается.

Для повторного включения отпустить кнопку выключателя и затем снова включить.

При предельно высоких нагрузках аккумулятор может сильно нагреться. В этом случае аккумулятор отключится. Чтобы снова зарядить и активировать аккумулятор, подключите его к зарядному устройству.

ОБСЛУЖИВАНИЕ

Всегда держите охлаждающие отверстия чистыми.

Пользуйтесь аксессуарами и запасными частями Milwaukee. В случае возникновения необходимости в замене, которая не была описана, обращайтесь в один из сервисных центров по обслуживанию электроинструментов Milwaukee (см. список сервисных организаций).

При необходимости, у сервисной службы или непосредственно у фирмы Techtronic Industries GmbH, Max-Eyth-Straße 10, 71364, Винненден, Германия, можно запросить сборочный чертеж устройства, сообщив его тип и шестизначный номер, указанный на фирменной табличке.

СИМВОЛЫ

Пожалуйста, внимательно прочтите инструкцию по использованию перед началом любых операций с инструментом.



Выньте аккумулятор из машины перед проведением с ней каких-либо манипуляций.



Дополнитель - В стандартную комплектацию не входит, поставляется в качестве дополнительной принадлежности.



Не выбрасывайте электроинструмент с бытовыми отходами! Согласно Европейской директиве 2002/96/EC по отходам от электрического и электронного оборудования и соответствующим нормам национального права вышедшие из употребления электроинструменты подлежат сбору отдельно для экологически безопасной утилизации.



Соответствие техническому регламенту



Национальный знак відповідності України

TR 066

ТЕХНИЧЕСКИ ДАННИ Аккумуляторен саблевиден трион **M18 CSX**Производствен номер.....4460 71 01
.....000001-999999Макс. дълбочина на рязане в:
меко дърво.....300 mm
стомяна20 mm
Алуминий25 mm
цветни метали25 mm
метални тръби150 mm
Честота на движение на триончето на празен ход0-3000 min⁻¹
Височина на хода28,6 mm
Напрежение на акумулатора18 V
Тегло съгласно процедурата EPTA 01/20034,1 kg**Информация за шума/вибрациите**

Измерените стойности са получени съобразно EN 60 745.

Нивото на звуково налягане на уреда в db (A) обикновено съставлява

Ниво на звукова мощност (K=3 dB(A)).....84,9 dB (A)
Ниво на звукова мощност (K=3 dB(A)).....95,9 dB (A)**Да се носи предпазно средство за слуха!**

Общите стойности на вибрациите (векторна сума на три посоки) са определени в съответствие с EN 60745.

Стойност на емисии на вибрациите a_n
Рязане на дървени трупи16,7 m/s²
Несигурност K1,5 m/s²
Нарязани ПДЧ22,3 m/s²
Несигурност K3,0 m/s²**ВНИМАНИЕ**

Посоченото в тези инструкции ниво на вибрациите е измерено в съответствие със стандартизиран в EN 60745 измервателен метод и може да се използва за сравнение на електрически инструменти помежду им. Подходящ е и за временна оценка на вибрационното натоварване.

Посоченото ниво на вибрациите представя основните приложения на електрически инструмент. Ако обаче електрическият инструмент се използва за друго предназначение, с различни сменяеми инструменти или при недостатъчна техническа поддръжка, нивото на вибрациите може да е различно. Това чувствително може да увеличи вибрационното натоварване по време на целия работен цикъл.

За точната оценка на вибрационното натоварване трябва да се вземат предвид и периодите от време, в които уредът е изключен или работи, но в действителност не се използва. Това чувствително може да намали вибрационното натоварване по време на целия работен цикъл.

Определете допълнителни мерки по техника на безопасност в защита на обслужвания работник от въздействието на вибрациите като например: техническа поддръжка на електрическия инструмент и сменяемите инструменти, поддържане на ръцете топли, организация на работния цикъл.

⚠ ПРЕДУПРЕЖДЕНИЕ! Прочетете всички указания и напътствия за безопасност.

Упущения, допускания при спазване на указания и инструкции по технике безопасност, могат да станат причиной за електрическо поражение, пожара и тежки травми.

Сохраняйте эти инструкции и указания для будущего использования.**СПЕЦИАЛНИ УКАЗАНИЯ ЗА БЕЗОПАСНОСТ****Носете средство за защита на слуха.** Въздействието на шума може да предизвика загуба на слуха.**Дръжте уреда за изолираните ръкохватки, когато извършвате работи, при които режещият инструмент може да засегне скрити електроинсталационни кабели.**

При влизане в съприкосновение с проводник под напрежение, то се предава на всички метални части на електроинструмента, което може да доведе до токов удар.

При работа с машината винаги носете предпазни очила. Препоръчват се също така предпазни ръкавици, здрави и нехлъзгащи се обувки, както и престилка.

Стружки или отчупени парчета да не се отстраняват, докато машина работи.

Предпазните устройства на машината да се използват задължително.

Прахът, който се образува при работа, често е вреден за здравето и не бива да попада в тялото. Да се носи подходяща прахозащитна маска.

Да не се използват напукани режещи листове или такива, които са се деформирали!

Рязане с потъване на триона е възможно само при по-меки материали (дърво, леки строителни материали за стени), а при по-твърди материали (метали) трябва да се направи голям отвор съобразно режещия лист.

При рязане водещата скоба винаги да приляга към обработвания материал..

При работа в стени, тавани или подове внимавайте за кабели, газопроводи и водопроводи.

Не извърляйте изхабените акумулатори в огъня или в при битовите отпадъци. Milwaukee предлага екологосъобразно събиране на старите акумулатори; моля попитайте Вашия специализиран търговец.

Не съхранявайте акумулаторите заедно с метални предмети (опасност от късо съединение).

Акумулатори от системата V-Tec да се зареждат само със зарядни устройства от системата V-Tec laden. Да не се зареждат акумулатори от други системи.

В гнездото за акумулатори на зарядните устройства не бива да попадат метални части (опасност от късо съединение).

Не отваряйте акумулатори и зарядни устройства и ги съхранявайте само в сухи помещения. Пазете ги от влага.

При екстремно натоварване или екстремна температура от повредени акумулатори може да изтече батерийна течност. При допир с такава течност веднага измийте с вода и сапун. При контакт с очите веднага изплаквайте старателно най-малко 10 минути и незабавно потърсете лекар.

СЕ - ДЕКЛАРАЦИЯ ЗА СЪОТВЕТСТВИЕ

Заявяваме под собствена отговорност, че описаният в "Технически данни" продукт съответства на всички важни разпоредби на директива 2011/65/EU (RoHS), 2006/42/EO, 2004/108/EO, както и на всички следващи нормативни документи във тази връзка.

EN 60745-1:2009 + A11:2010
EN 60745-2-11:2010
EN 55014-1:2006 + A1:2009 + A2:2011
EN 55014-2:1997 + A1:2001 + A2:2008

Winnenden, 2013-07-01

Alexander Krug
Managing Director

Упълномощен за съставяне на техническата документация

Techtronic Industries GmbH
Max-Eyth-Straße 10
71364 Winnenden
Germany**ИЗПОЛЗВАНЕ ПО ПРЕДНАЗНАЧЕНИЕ**

Саблевидният трион реже дърво, пластмасата и метал. Той реже по права и по крива линия, прави вътрешни изрези. Той реже тръби и разделя повърхности подравнено.

Този уред може да се използва по предназначение само както е посочено.

ЕЛЕКТРИЧЕСКА СПИРАЧКА

При пускане на бутона на превключателя, режещата лента бива спирана за около 2 секунди от електрическата спирачка. Електрическата спирачка може да действа и със забавяне. Понякога електрическата спирачка не действа.

Ако се случва често, електрическата спирачка да не действа, машината за рязане трябва да бъде занесена за проверка в оторизиран сервиз на Milwaukee.

Машината за рязане се вади от обработвания детайл едва след спиране на режещата лента.

АКУМУЛАТОРИ

Новите сменяеми акумулатори достигат пълния си капацитет след 4-5 цикъла на зареждане и разреждане. Акумулатори, които не са ползвани по-дълго време, преди употреба да се дозаредят.

Температура над 50°C намалява мощността на акумулатора. Да се избягва по-продължително нагряване на слънце или от отопление.

Поддържайте чисти присъединителните контакти на зарядното устройство и на акумулатора.

С цел оптимална продължителност на живот след употреба батериите трябва да бъдат заредени напълно

За възможно по-дълга продължителност на живот батериите трябва да се изваждат от уреда след зареждане.

При съхранение на батериите за повече от 30 дни: съхранявайте батерията при прилб. 27°C и на сухо място. Съхранявайте батерията при 30 до 50 % от заряда. Зареждайте батерията на всеки 6 месеца.

ЗАЩИТА ОТ ПРЕТОВАРВАНЕ НА БАТЕРИЯТА

При претоварване на акумулатора поради много висока консумация на ток, напр. много високи въртящи моменти, заклиняване на свредлото, внезапен стоп или късо съединение, електрическият инструмент бърмчи 2 секунди и самостоятелно се изключва.

За ново включване освободете бутона за включване и отново го включете.

При извънредни натоварвания акумулаторът може да се нагрее силно. В този случай акумулаторът изключва. Тогава акумулаторът да се включи към зарядното устройство, за да се дозареди и активира.

ПОДДРЪЖКА

Вентилационните шлицы на машината да се поддържат винаги чисти.

Да се използват само аксесоари на Milwaukee и резервни части на Milwaukee. Елементи, чията подмяна не е описана, да се дадат за подмяна в сервиз на Milwaukee (вижте брошурата "Гаранция и адреси на сервизи).

При необходимост можете да поискате схема на елементите на уреда при посочване на обозначение на машината и шестцифрения номер на табелката за технически данни от Вашия сервиз или директно на Techtronic Industries GmbH, Max-Eyth-Straße 10, 71364 Winnenden, Германия.

СИМВОЛИ

Преди пускане на уреда в действие моля прочетете внимателно инструкцията за използване.



Преди започване на каквито е да е работи по машината извадете акумулатора.



Аксесоари - Не се съдържат в обема на доставката, препоръчвано допълнение от програмата за аксесоари.



Не извърляйте електроинструменти при битовите отпадъци! Съобразно Европейската директива 2002/96/EO за стари електрически и електронни уреди и нейното реализиране в националното законодателство изхабените електроинструменти трябва да се събират отделно и да се предават в пункт за екологосъобразно рециклиране.

| DATE TEHNICE | Ferăstrău sabie cu acumulator | M18 CSX |
|--|-------------------------------|-----------------|
| Număr producție..... | 4460 71 01 | ..000001-999999 |
| Adâncimea max. de tăiere: | | |
| Lemn moale | 300 mm | |
| Oțel..... | 20 mm | |
| Aluminiu | 25 mm | |
| Metal neferos | 25 mm | |
| Țeavă metalică..... | 150 mm | |
| Cursa în gol prima treaptă de putere | 0-3000 min ⁻¹ | |
| Cursa în gol a 2-a treaptă de putere | 28,6 mm | |
| Lungimi de cursă..... | 18 V | |
| Greutate acumulator | 4,1 kg | |
| Greutatea conform „EPTA procedure 01/2003” | | |

Informație privind zgomotul/vibrațiile

Valori măsurate determinate conform EN 60 745.

| | |
|---|-------------|
| Valoarea reală A a nivelului presiunii sonore a sculei este : | 84,9 dB (A) |
| Nivelul presiunii sonore (K=3 dB(A))..... | 95,9 dB (A) |
| Nivelul sunetului (K=3 dB(A))..... | |

Purtați căști de protecție

Valorile totale de oscilație (suma vectorială pe trei direcții) determinate conform normei EN 60745.

| | |
|--|-----------------------|
| Valoarea emisiei de oscilații a _n | 16,7 m/s ² |
| Tăierea grinzilor de lemn | 1,5 m/s ² |
| Nesiguranță K | 22,3 m/s ² |
| Tăiere de plăci aglomerate..... | 3,0 m/s ² |
| Nesiguranță K | |

AVERTISMENT

Gradul de oscilație indicat în prezentele instrucțiuni a fost măsurat în conformitate cu o procedură de măsurare normată prin norma EN 60745 și poate fi folosit pentru a compara uneltele electrice între ele. El se pretează și pentru o evaluare provizorie a solicitării la oscilații.

Gradul de oscilație indicat reprezintă aplicațiile principale ale uneltelor electrice. În cazul în care însă uneltele electrice au fost folosite pentru alte aplicații, ori au fost folosite uneltele de muncă diferite ori acestea nu au fost supuse unei suficiente inspecții de întreținere, gradul de oscilație poate fi diferit. Acest fapt poate duce la o creștere netă a solicitărilor la oscilații dealungul întregii perioade de lucru.

În scopul unei evaluări exacte a solicitării la oscilații, urmează să fie luate în considerație și perioadele de timp în care aparatul a fost oprit ori funcționează dar, în realitate, el nu este folosit în mod practic. Acest fapt poate duce la o reducere netă a solicitărilor la oscilații dealungul întregii perioade de lucru.

Stabiliți măsuri de siguranță suplimentare în scopul protecției utilizatorului de efectele oscilațiilor, de exemplu: inspecție de întreținere a uneltelor electrice și a celor de muncă, păstrarea caldă a mâinilor, organizarea proceselor de muncă.

AVERTIZARE! Citiți toate indicațiile de siguranță și toate instrucțiunile. Nerespectarea indicațiilor de avertizare și a instrucțiunilor poate provoca electrocutare, incendii și/sau răniri grave.

Păstrați toate indicațiile de avertizare și instrucțiunile în vederea utilizărilor viitoare.

INSTRUCȚIUNI DE SECURITATE

Purtați aparatoare de urechi. Expunerea la zgomot poate produce pierderea auzului.

Țineți aparatul de mânerle izolate când executați lucrări la care scula tăietoare poate nimeri peste conductori electrici ascunși. Contactul cu un conductor sub tensiune determină punerea sub tensiune a componentelor metalice ale mașinii și duce la electrocutare.

Purtați întotdeauna ochelari de protecție atunci când utilizați mașina. Se recomandă purtarea mănușilor, a încălțămintei solide nealunecoase și sortului de protecție.

Rumegușul și spanul nu trebuie îndepărtate în timpul funcționării mașinii.

Întotdeauna utilizați ecranele de protecție ale mașinii.

Praful care apare când se lucrează cu această sculă poate fi dăunător sănătății și prin urmare nu trebuie să atingă corpul.

Purtați o mască de protecție corespunzătoare împotriva prafului.

Nu folosiți lame de ferăstrău crăpate sau deformatate.

Tăieri de adâncime fără efectuarea prealabilă a unei găuri sunt posibile cu materiale moi (lemn, materiale ușoare de construcție pentru pereți). Materialele mai dure (metale) trebuie întâi să fie

DECLARAȚIE DE CONFORMITATE

Declarăm pe propria răspundere că produsul descris la "Date tehnice" este în concordanță cu toate prevederile legale relevante ale Directivei 2011/65/EU (RoHS), 2006/42/CE, 2004/108/CE și cu următoarele norme armonizate:

EN 60745-1:2009 + A11:2010
EN 60745-2-11:2010
EN 55014-1:2006 + A1:2009 + A2:2011
EN 55014-2:1997 + A1:2001 + A2:2008

Winnenden, 2013-07-01

Alexander Krug

Alexander Krug
Managing Director



Împuternicit să elaboreze documentația tehnică.

Techtronic Industries GmbH
Max-Eyth-Straße 10
71364 Winnenden
Germany

CONDIȚII DE UTILIZARE SPECIFICE

Acest ferăstrău taie lemn, materiale plastice și metale. El poate tăia linii drepte, curbe și efectua tăieturi interne. Taie țevi și poate tăia razant la o suprafață.

Nu utilizați acest produs în alt mod decât cel stabilit pentru utilizare normală.

FRÂNA ELECTRICĂ

Dacă se eliberează butonul întrerupător, pânza de ferăstrău se oprește într-un interval de cca. 2 secunde datorită frânei electrice. Dar frâna electrică poate avea și un efect întârziat. În mod ocazional, frâna electrică poate să nu aibă efect. Dacă se întâmplă în mod frecvent ca frâna electrică să nu acționeze, ferăstrăul trebuie dus la un service Milwaukee autorizat.

Ferăstrăul se scoate din piesă de-abia după ce pânza de ferăstrău s-a oprit complet.

ACUMULATORI

Noile pachete de acumulatori ating capacitatea totală de încărcare după 4-5 încărcări și descărcări. Acumulatorii care nu au fost utilizați o perioadă de timp trebuie reîncărcați înainte de utilizare.

Temperatura mai mare de 50°C (122°F) reduce performanța acumulatorului. Evitați expunerea prelungită la căldură sau radiație solară (risă de supraîncălzire)

Contactele încărcătoarelor și acumulatorilor trebuie păstrate curate.

Pentru o durabilitate optimă, acumulatorii trebuie reîncărcați complet după folosire.

Pentru o durată de viață cât mai lungă, acumulatorii ar trebui scoși din încărcător după încărcare.

La depozitarea acumulatorilor mai mult de 30 zile: Acumulatorii se depozitează la cca. 27°C și la loc uscat. Acumulatorii se depozitează la nivelul de încărcare de cca. 30%-50%.

Acumulatorii se încarcă din nou la fiecare 6 luni.

PROTECȚIE SUPRAÎNCĂRCARE ACUMULATOR

În caz de supraîncărcare a acumulatorului prin consum foarte ridicat de curent, de ex. cupluri mecanice extrem de mari, înțepenirea burghiului, întrerupere bruscă sau scurtcircuit, unealta electrică produce timp de 2 secunde un zgomot înfundat, după care se decuplează de la sine.

În vederea recuplării, dați drumul butonului de comutare, iar apoi efectuați o nouă cuplare.

În condiții de încărcări extreme, acumulatorul se poate încălzi peste măsură. În acest caz, acumulatorul se decuplează. Pentru a-l reîncărca și activa, puneți acumulatorul în în aparatul de încărcare.

ÎNȚEȚINERE

Fantele de aerisire ale mașinii trebuie să fie menținute libere tot timpul

Utilizați numai accesorii și piese de schimb Milwaukee. Dacă unele din componente care nu au fost descrise trebuie înlocuite, vă rugăm contactați unul din agenții de service Milwaukee (vezi lista noastră pentru service / garanție)

Dacă este necesar, puteți solicita de la centrul dvs. de service pentru clienți sau direct la Techtronic Industries GmbH, Max-Eyth-Straße 10, 71364 Winnenden, Germania un desen descompus al aparatului prin indicarea tipului de aparat și a numărului cu șase cifre de pe tăblița indicatoare.

SIMBOLURI



Vă rugăm citiți cu atenție instrucțiunile înainte de pornirea mașinii



Îndepărtați acumulatorul înainte de începerea lucrului pe mașina



Accesoriu - Nu este inclus în echipamentul standard, disponibil ca accesoriu



Nu aruncați scule electrice în gunoial menajer! Conform directivei europene nr. 2002/96/EC referitor la aparate electrice și electronice uzate precum și la transpunerea acestora în drept național, sculele electrice trebuie colectate separat și introduse într-un circuit de reciclare ecologic.

ТЕХНИЧКИ ПОДАТОЦИ

Сабјеста пила на батерији

M18 CSX

Произведен број.....4460 71 01
.....000001-999999

Максимална длабочина на сечење во:
Меко дрво.....300 mm
Челик.....20 mm
Алуминиум.....25 mm
Не рѓачки метал.....25 mm
Метална цевка.....150 mm
Ударен момент при не оптовареност (на слободно).....0-3000 min⁻¹
Должина на удар.....28,6 mm
Напон на батерија.....18 V
Тежина според ЕПТА-процедурата 01/2003.....4,1 kg

Информација за бучавата/вибрациите

Измерените вредности се одредени согласно стандардот EN 60 745.

Типично очекувано ниво на звучен притисок на алатот е:

Ниво на звучен притисок. (K = 3 dB(A))84,9 dB (A)
Ниво на јачина на звук. (K = 3 dB(A))95,9 dB (A)

Носте штитник за уши.

Вкупни вибрациски вредности (векторски збир на трите насоки) пресметани согласно EN 60745.

Вибрациска емисиона вредност a_v
Пилење на дрвени греди.....16,7 m/s²
Несигурност К1,5 m/s²
Сечење на честички одбор22,3 m/s²
Несигурност К3,0 m/s²

ПРЕДУПРЕДУВАЊЕ

Нивото на осцилација наведено во овие инструкции е измерено во согласност со мерните постапки нормирани во EN 60745 и може да биде употребено за меѓусебна споредба на електро-алати. Ова ниво може да се употреби и за привремена проценка на оптоварувањето на осцилацијата.

Наведеното ниво на осцилација ги репрезентира главните намени на електро-алатот. Но, доколку електро-алатот се употребува за други намени, со отстапувачки додатоци или со несоодветно одржување, нивото на осцилација може да отстапи. Тоа може значително да го зголеми оптоварувањето на осцилацијата за време на целиот работен период.

За прецизна проценка на оптоварувањето на осцилацијата предвид треба да бидат земени и времињата, во коишто апаратот е исклучен или работи, но фактички не се употребува. Тоа може значително да го намали оптоварувањето на осцилацијата за време на целиот работен период.

Утврдете дополнителни безбедносни мерки за заштита на операторот од влијанието на осцилациите, како на пример: одржување на електро-алатот и на додатоци кон електро-алатот, одржување топли раце, организација на работните процеси.

⚠ ВНИМАНИЕ! Прочитајте ги безбедносните напомени и упатства. Заборавање на почитувањето на безбедносните упатства и инструкции можат да предизвикаат електричен удар, пожар и/или тешки повреди. **Сочувајте ги сите безбедносни упатства и инструкции за во иднина.**

УПАТСТВО ЗА УПОТРЕБА

Носете штитник за уши. Изложеноста на бука може да предизвика губење на слухот.

Држете го електричниот алат за издадените површини при изведување на операции при кои алатот за сечење можат да дојдат во контакт со скриени жици. Контакт со жица под напон исто така ќе направи проводници од металните делови и оној кој ракува со алатот ќе доживее струен удар.

Секогаш носете ракавици кога ја користите машината. Исто така препорачливо е да се носат очила, цврсти чевли кои не се лигаат и престилка.

Прашината и струготините не смеат да се одстрануваат додека е машината работи.

Секогаш користете заштитен штит на машината.

Пршината која се создава при користење на овој алат може да биде штетна по здравјето. Не ја вдишувајте. Носете соодветна заштитна маска.

Не користете скршени или изобличени сечила.

Убодни резови без претходно дупчење се можни кај меки материјали (дрво, лесни градежни материјали за ѕидови). Кај поцврсти материјали (метали) мора првин да се направи дупка која ќе одговара на димензијата на пилата.

ЕУ-ДЕКЛАРАЦИЈА ЗА СООБРАЗНОСТ

О своја сопствена одговорност изјавуваме дека под „Технички податоци, опишаниот производ е во склад со сите релевантни прописи од регулативата 2011/65/EU (RoHS), 2006/42/EC, 2004/108/EC и следните хармонизирачки нормативни документи:

EN 60745-1:2009 + A11:2010
EN 60745-2-11:2010
EN 55014-1:2006 + A1:2009 + A2:2011
EN 55014-2:1997 + A1:2001 + A2:2008

Winnenden, 2013-07-01



Alexander Krug
Managing Director



Ополномоштен за составување на техничката документација.

Techtronic Industries GmbH

Max-Eyth-Straße 10

71364 Winnenden

Germany

СПЕЦИФИЦИРАНИ УСЛОВИ НА УПОТРЕБА

Оваа сабјаста пила сече дрво пластика и метал. Може да сече прави линии, кривини и внатречни отсесоци. Сече цевки и може да сече паралелно со површината.

Не го користете овој производ на било кој друг начин освен пропишаниот за нормална употреба.

ЕЛЕКТРИЧНА КОЧНИЦА

При ослободување на притисокот од прекинувачот дискот за сечење се запира во рок од 2 секунди преку електричната кочница. Но, електричната кочница може да дејствува и одложено. Понекогаш електричната кочница не е делотворна. Доколку електричната кочница не дејствува почесто, во тој случај пилата мора да биде донесена до овластен сервис-центар на Milwaukee.

Дури по постигнување на состојба на мирување на дискот за сечење извлечете ја пилата од обработуваниот материјал.

БАТЕРИИ

Нови комплекти батерији постигнуваат целосен капацитет по 4-5 циклуса на полнење и празнење. Подолг период неупотребувани комплекти батерији да се наполнат пред употреба.

Температура повисока од 50°C (122°F) го намалуваат траењето на батериите. Избегнувајте подолго изложување на батериите на високи температури или сонце (ризик од прегревање).

Клемите на полначот и батериите мора да бидат чисти.

За оптимален работен век, по употреба батериите мора да бидат целосно наполнети.

За можно подолг век на траење, апаратите после нивното полнење треба да бидат извадени од апаратот за полнење на батериите.

Во случај на складирање на батеријата подолго од 30 дена: Акумулаторот да се чува на температура од приближно 27°C и на суво место.

Акумулаторот да се складира на приближно 30%-50% од состојбата на наполнетост.

Акумулаторот повторно да се наполни на секои 6 месеци.

ЗАШТИТА ОД ПРЕОПТЕРЕТУВАЊЕ НА БАТЕРИЈАТА

При преоптоварување на батеријата со многу висока потрошувачка на струја, на пример екстремно високи вртежни моменти, заглавување на дупчалката, ненадејно запирање или краток спој, електро-уредот бучи 2 секунди, а потоа самостојно се гаси.

За повторно вклучување ослободете го прекинувачот и вклучете повторно.

Во случај на екстремни оптоварувања батеријата може да загрее многу. Во такъв случај батеријата исклучува. Тогаш ставете ја батеријата во уредот за полнење за повторно да ја наполните и активирате.

ОДРЖУВАЊЕ

Вентилациските отвори на машината мора да бидат комплетно отворени постојано.

Користете само Milwaukee додатоци и резервни делови. Доколку некои од компонентите кои не се опишани треба да бидат заменети, Ве молиме контактирајте ги сервисните агенти на Milwaukee (консултирајте ја листата на адреси).

При потреба може да се побара експлозионен цртеж на апаратот со наведување на машинскиот тип и шестоцифрениот број на табличката со учинокот или во Вашата корисничка служба или директно кај Techtronic Industries GmbH, Max-Eyth-Straße 10, 71364 Winnenden, Германија.

СИМБОЛИ



Ве молиме пред да ја стартувате машината обрнете внимание на упатствата за употреба.



Издадете го батерискиот склоп пред отпочнување на каков и да е зафат врз машината.



Дополнителна опрема - Не е вклучена во стандардната, а достапна е како додаток.



Не ги фрлајте електричните апарати заедно со другиот домашен отпад! Европска регулатива 2002/96/EC за одлагање на електрична и електронска опрема и се применува согласно националните закони. Електричните апарати кои го достигнале крајот на својот животен век мора да бидат одвоено собрани и вратени во соодветна рециклажна установа.

| 技术数据 | 充电式马刀锯 | M18 CSX |
|------------------------------------|--------|--------------------------------|
| 生产号..... | | 4460 71 01 ...000001-999999 |
| 最大切深在: | | |
| 软木..... | | 300 mm |
| 钢..... | | 20 mm |
| 铝..... | | 25 mm |
| 有色金属..... | | 25 mm |
| 金属管..... | | 150 mm |
| 无负载跳跃次数..... | | 0-3000 min ⁻¹ |
| 跳跃高度..... | | 28,6 mm |
| 蓄电池电压..... | | 18 V |
| 重量符合EPTA – Procedure01 / 2003..... | | 4,1 kg |

噪音/振动信息
本测量值符合 EN 60 745 条文的规定。
本机器的音压值通常为
音压值 (K = 3 dB(A))..... 84,9 dB (A)
音量值 (K = 3 dB(A))..... 95,9 dB (A)
请戴上护耳罩！

依欧盟EN 60745 标准确定的振荡总值（三方向矢量和）。
ah -振荡发射值
锯开木梁..... 16,7 m/s²
 K-不可靠性..... 1,5 m/s²
 切割刨花板..... 22,3 m/s²
 K-不可靠性..... 3,0 m/s²

注意
本规程列出的依欧盟EN 60745 标准一项标准测量方法测量的振荡级也可用于电动工具比较并适合于临时振荡负荷估计。
该振荡级代表电动工具的主要应用。电动工具的其他应用，不正确的工作工具或缺维护可造成振荡级偏差。此可明确提高总工作期间的振荡负荷。
正确地估计一定工作期间的振荡负荷也要考虑到工具关闭或接通而不使用的期间。此可明确减少总工作期间的振荡负荷。
为提高操作人员对振荡作用的保护得规定补充安全措施：电动工具及工作工具的维护，温手，工作过程组织等。

警告！ 务必阅读所有安全提示和指示。如未确实 遵循警告提示和指示，可能导致电击、火灾并且/ 或其他的严重伤害。
妥善保存所有的警告提示和指示，以便日后查阅。

特殊安全指示

请戴上耳罩。工作噪音会损坏听力。
切割工具会碰到隐藏电线或自己的电缆时，得将器械握住于其绝缘把手表面。
锯片接触了带电的电线，会把电导向其它金属部位，并引起电击。
操作机器时务必佩戴护目镜。最好也穿戴工作手套、坚固防滑的鞋具和工作围裙。
如果机器仍在运转，切勿清除其上的木屑或金属碎片。
务必使用机器的安全保护设备。
工作尘往往有害健康，不可以让工作尘接触身体。工作时请佩戴合适的防尘面具。
不可以使用有裂痕或已经变形的锯刀。
潜锯专用电锯只能锯割软的材料（例如木材和用来砌墙的轻建材材）。如果使用本机器锯割硬的材料（例如钢铁），必须先在工件上钻一个和锯片宽度相当的孔。
锯割时一定要把导引架靠在工件上。
在墙壁、天花板或地板工作时，必须特别注意被隐埋的电线、瓦斯管和水管。
损坏的蓄电池不可以丢入火中或一般的家庭垃圾中。Milwaukee 提供了符合环保要求的回收项目： 请向您的专业经销商索取有关详情。

蓄电池不可以和金属物体存放在一起（可能产生短路）。
V-Tec 系列的蓄电池只能和 V-Tec 系列的充电器配合使用。不可以使用本充电器为其它系列的电池充电。
充电器的充电格中，不可以存在任何金属物质（可能产生短路）。

不可拆开蓄电池和充电器。蓄电池和充电器必须储藏在干燥的空间，勿让湿气渗入。
在过度超荷或极端的温度下，可能从损坏的蓄电池中流出液体。如果触摸了此液体，必须马上使用肥皂和大量清水冲洗。如果此类流体侵入眼睛，马上用清水彻底清洗眼睛（至少冲洗 10 分钟），接着立刻就医治疗。

正确地使用机器

本马刀锯可以用来锯木材、塑料和金属。它可进行直线割锯、曲线割锯并且也能够挖锯。也可以使用本机器锯割管子，锯缘整齐不起毛边。
请依照本说明书的指示使用此机器。

电动制动器

开放开关按钮后2秒左右，电动制动器将制动锯片。电动制动器有可能延迟开动。有时电动制动器无效。如果电动制动器经常无效，必须把电锯交给授权密尔沃基服务中心。
锯片停止后，才能把电锯从工件拔出。

蓄电池
新的蓄电池经过 4 - 5 次的充、放电后，可达到最大的电容量。长期储放的蓄电池，必须先充电再使用。
如果周围环境的温度超过摄氏 50 度，蓄电池的功能会减弱。勿让蓄电池长期曝露在阳光或暖气下。
充电器和蓄电池的接触点都必须保持干净。
为延长使用寿命，请在使用后给电池充满电。

蓄电池超载保护

极端高扭矩，钻头被卡住，突然停止或短路等情况下特别高电流消耗所造成蓄电池超载时，电动工具发出哼声两秒并自动断开。为继续工作，放开开关按钮并再接通。
极端超载时，蓄电池过热。这种情况下，蓄电池自动断开。此时，将蓄电池插入充电器，再充电并激活蓄电池。

维修

机器的通气孔必须随时保持清洁。
只能使用 Milwaukee 的配件和 Milwaukee 的零件。缺少检修说明的机件如果损坏了，必须交给 Milwaukee 的顾客服务中心更换（参考手册“保证书 / 顾客服务中心地址”）。
如果需要机器的分解图，可以向您的顾客服务中心或直接向 Techtronic Industries GmbH, Max-Eyth-Straße 10, 71364 Winnenden, Germany 联络。案件时必须提供以下资料：机型和机器铭牌上的六位数字码。

符号



使用本机器之前请详细阅读使用说明书。



在机器上进行任何修护工作之前，先拿出蓄电池。



配件 - 不包含在供货范围中。请另外从配件目录选购。



不可以把损坏的电动工具丢弃在家庭垃圾中！根据被欧盟各国引用的有关旧电子机器的欧洲法规2002/96/EC，必须另外收集旧电子机器，並以符合环保规定的方式回收再利用。

Copyright 2013
Techtronic Industries GmbH
Max-Eyth-Straße 10
71364 Winnenden
Germany
+49 (0) 7195-12-0



(08.13)

4931 4144 65